

PRODUCT INFORMATION PACKET

Model No: 753A

Catalog No: 753A

1/3 HP Fan Coil / Room Air Conditioner Motor, 1075 RPM, 4 Speed, 115 Volts, 48 Frame, OAO



Regal and are trademarks of Regal Rexnord Corporation or one of its affiliated companies.
©2022 Regal Rexnord Corporation, All Rights Reserved. MC017097E

Nameplate Specifications

Output HP	1/3 Hp	Output KW	0.25 kW
Frequency	60 Hz	Voltage	115 V
Current	5.6 A	Speed	1075 rpm
Service Factor	1	Phase	1
Duty	Air Over	Insulation Class	B
Frame	48	Enclosure	Open Air Over
Thermal Protection	Automatic	Ambient Temperature	40 °C
UL	Recognized	CSA	Y
CE	N	Number of Speeds	4

Technical Specifications

Electrical Type	Permanent Split Capacitor	Starting Method	Across The Line
Poles	6	Rotation	Reversible
Mounting	Flexible Arms	Motor Orientation	Horizontal
Drive End Bearing	Ball	Opp Drive End Bearing	Ball
Frame Material	Rolled Steel	Shaft Type	Flat
Overall Length	10.38 in	Frame Length	4.25 in
Shaft Diameter	0.500 in	Shaft Extension	5.52 in
Connection Drawing	614131-347	Outline Drawing	753A-S01

This is an uncontrolled document once printed or downloaded and is subject to change without notice. Date Created:05/25/2022

4

3

2

1

GENERAL INFORMATION:

SHAFT RUNOUT: .001 [.03] T.I.R. PER INCH LENGTH OF EXTENSION

BEARINGS: BALL

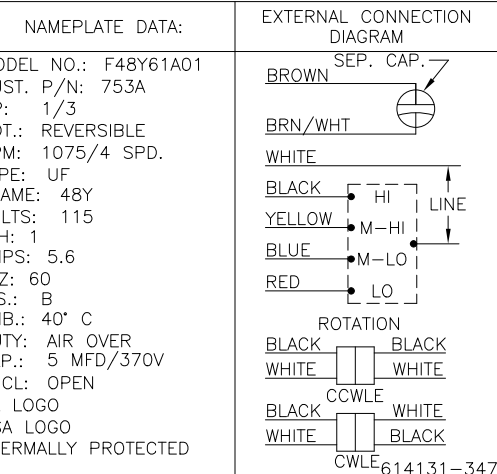
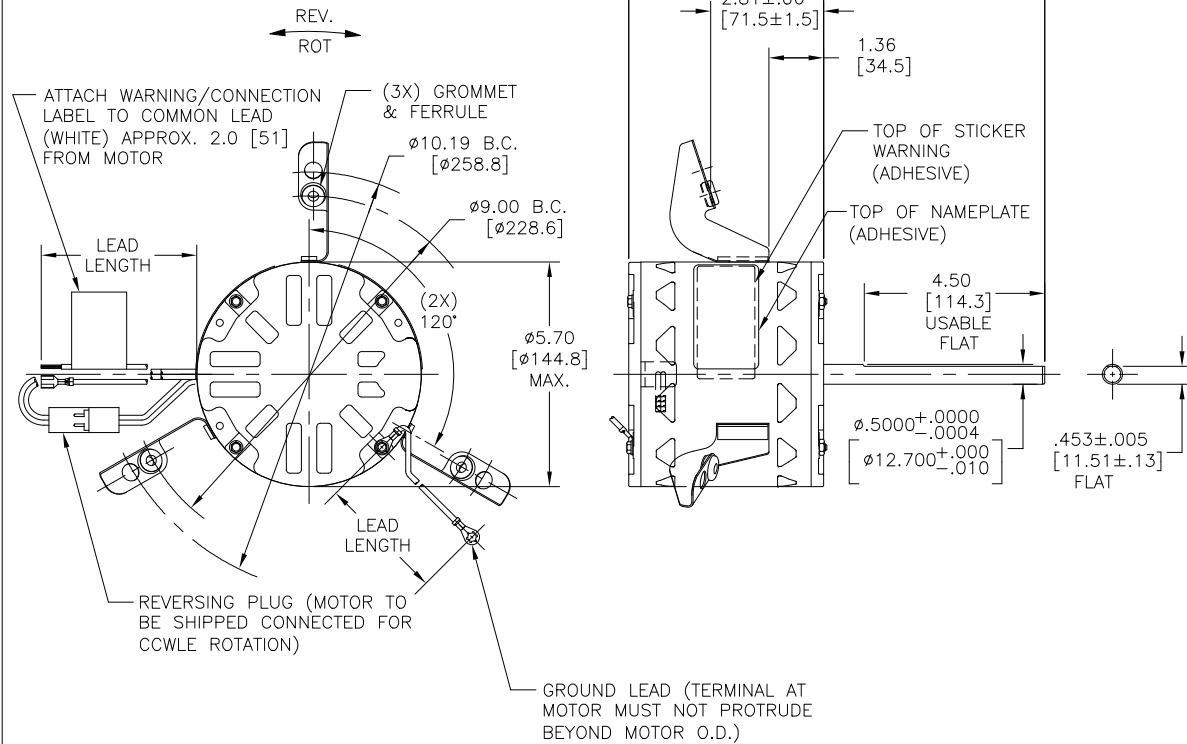
MOUNTING POSITION: HORIZONTAL

ELECTRICAL DATA:

OVERLOAD PROTECTOR: AUTOMATIC RESET (SENSATA 7AM 036)

LEADS: NO. 18 GA., .03 [.8] THK., XLP 125°C INSULATION

GROUND LEAD: NO. 18 GA., .03 [.8] THK., (GREEN/YELLOW) INSULATION



GREEN/YELLOW (GRD)	11.0/13.0 [305/330]	#10 EYELET
BLACK/WHITE	3.0/5.0 [76/127]	REVERSING PLUG
BROWN/WHITE	24.0/26.0 [609/660]	.25 [6.4] FEMALE SPADE
BROWN	24.0/26.0 [609/660]	.25 [6.4] FEMALE SPADE
WHITE	24.0/26.0 [609/660]	.50 [12.7] SKIN
BLACK	24.0/26.0 [609/660]	.50 [12.7] SKIN
YELLOW	24.0/26.0 [609/660]	.50 [12.7] SKIN
BLUE	24.0/26.0 [609/660]	.50 [12.7] SKIN
RED	24.0/26.0 [609/660]	.50 [12.7] SKIN
COLOR	LENGTH	TERMINAL OR STRIP LENGTH

REGAL-BELOIT CORPORATION (RBC) PROVIDES TECHNICAL ASSISTANCE TO OUR CUSTOMERS IN SEVERAL AREAS. SINCE RBC DOES NOT RECEIVE ALL DATA CONCERNING THE USE AND APPLICATION OF THE MOTOR, THE SUITABILITY OF THE MOTOR FOR THE APPLICATION MUST BE DETERMINED BY THE CUSTOMER.

DIMENSIONS WITHOUT TOLERANCES ARE FOR REFERENCE ONLY.

MAIN FRAME - OLE	OPEN
END FRAME - LE	OPEN
MAIN FRAME - LE	OPEN
END FRAME - LE	OPEN

CUSTOMER	DISTRIBUTION SERVICE
----------	----------------------

PERFORMANCE CURVE NO.	TORQUE @ 1075 RPM (25°C)	APPROVED SAMPLE	UL COMPONENT	CSA
C32640	38.4 OZ. FT	0600518A	E46412 PRGY2	LR43341 4211-01

DRAWING REVISION	REVISION BY	DATE
ECO	J. RUPERT	04-28-2022
ECR-0217399	J. RUPERT	04-28-2022
REMOVED NOTE FOR CONSERVATIONIST STICKER		
<p>REGAL-BELOIT CORPORATION (RBC) PROVIDES TECHNICAL ASSISTANCE TO OUR CUSTOMERS IN SEVERAL AREAS. SINCE RBC DOES NOT RECEIVE ALL DATA CONCERNING THE USE AND APPLICATION OF THE MOTOR, THE SUITABILITY OF THE MOTOR FOR THE APPLICATION MUST BE DETERMINED BY THE CUSTOMER.</p> <p>DIMENSIONS WITHOUT TOLERANCES ARE FOR REFERENCE ONLY.</p>		

DRAWN BY:	G. ZHAO
DATE:	07-21-2014
APPROVED BY:	C. ZHOU
DATE:	07-21-2014
REFERENCE:	

Regal Beloit America, Inc.	
DESCRIPTION	MODEL-RFHP-48FR OUTLINE
MATERIAL	
PROCESS/FINISH	
SIZE	DWG NO 753A
SHEET	1

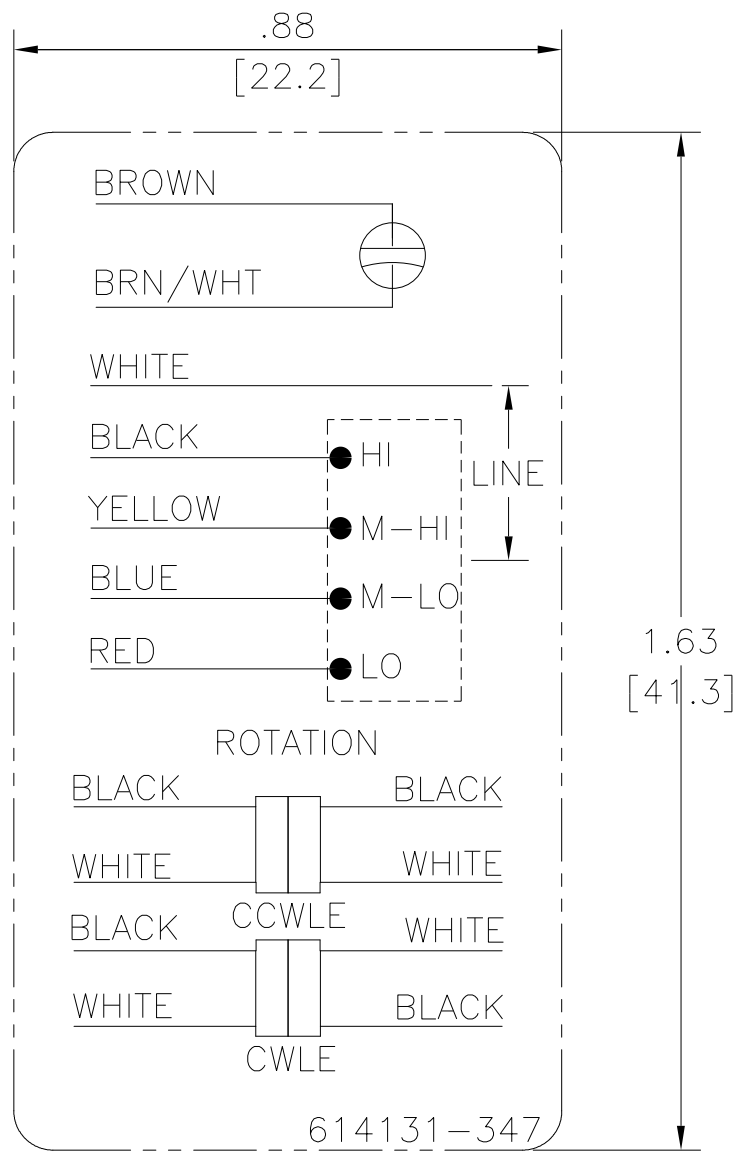
4

3

2

3 of 4

1



NOTES:

1. FOR USE WITH 614129 NAMEPLATE BLANK.
2. — — — — — INDICATES DIMENSION LIMITS.
3. DIE TO BE MADE FROM MASTER SUPPLIED BY REGAL REXNORD CORPORATION.
4. DIE MUST PRODUCE A LEGIBLE IMPRESSION.

DRAWING REVISION C	REVISION BY J. RUPERT	DATE 04-08-2022
ECO NMR-0213458	APPROVED BY J. RUPERT	DATE 04-08-2022
ECO DESCRIPTION REVISED FOR UP ISSUE		
<small>COPYRIGHT REGAL BELOIT AMERICA, INC. ALL RIGHTS RESERVED. PROPRIETARY AND CONFIDENTIAL INFORMATION - THIS DOCUMENT IS THE PROPERTY OF REGAL BELOIT AMERICA, INC. ("OWNER") AND CONTAINS OWNER'S PROPRIETARY INFORMATION. ANY PERSON, CORPORATION OR OTHER FIRM RECEIVING IT IS DEEMED, BY RECEIVING IT, TO AGREE THAT IT, AND/OR ANY PART OF IT, SHALL NOT BE DISCLOSED TO ANY PERSON, CORPORATION OR OTHER ENTITY, DUPLICATED, AND/OR USED, EXCEPT AS EXPRESSLY APPROVED IN WRITING IN ADVANCE BY OWNER. THIS DOCUMENT SHALL BE RETURNED TO OWNER UPON REQUEST. IT MAY BE SUBJECT TO CERTAIN RESTRICTIONS UNDER APPLICABLE EXPORT CONTROL LAWS AND REGULATIONS.</small>		

TOLERANCES UNLESS OTHERWISE SPECIFIED			
DEC.	INCH	mm	ANGLE
.X	± 0.1	[± 2.5]	$\pm 0.5^\circ$
.XX	± 0.02	[± 0.51]	
.XXX	± 0.005	[± 0.127]	
.XXXX	± 0.0005	[± 0.0127]	
REMOVE BURRS & BREAK SHARP EDGES .003/.015 [0.076/.381] X 45°			
CORNERS FILLETS R.02 [51]			
MACHINED SURFACES			
$\frac{125}{\text{INCH}} \sqrt{\frac{3.2}{\text{mm}}}$			
mm SHOWN IN [BRACKETS]			

DRAWN BY: L. GRADO
DATE: 02-05-2009
APPROVED BY: C. CONTRERAS
DATE: 02-05-2009
REFERENCE
THIRD ANGLE PROJECTION

Regal Beloit America, Inc.	
DESCRIPTION CONN DIAGRAM-EXTERNAL	
MATERIAL	PROCESS/FINISH
SIZE A	DWG NO 4 of 4
614131-347	
SHEET 1	