

# PRODUCT INFORMATION PACKET



Model No: 752A  
Catalog No: 752A  
1/4-1/6-1/8-1/10 HP OEM Replacement Motor, 1075 RPM, 4 Speed, 115 Volts, 48 Frame, OAO  
OEM Replacement Motors



Regal and Century are trademarks of Regal Rexnord Corporation or one of its affiliated companies.  
©2021 Regal Rexnord Corporation, All Rights Reserved. MC017097E





**Nameplate Specifications**

Output HP	1/4,1/6,1/8,1/10 Hp	Output KW	0.19 kW
Frequency	60 Hz	Voltage	115 V
Current	3.9, 2.8, 2.1, 1.6 A	Speed	1075 rpm
Service Factor	1	Phase	1
Duty	Air Over	Insulation Class	B
Frame	48	Enclosure	Open Enclosed
Thermal Protection	Automatic	Ambient Temperature	50 °C
UL	Recognized	CSA	Y
CE	N	Number of Speeds	4

**Technical Specifications**

Electrical Type	Permanent Split Capacitor	Starting Method	Across The Line
Poles	6	Rotation	Reversible
Mounting	Flexible Arms	Motor Orientation	Horizontal
Drive End Bearing	Sleeve	Opp Drive End Bearing	Sleeve
Frame Material	Rolled Steel	Shaft Type	Flat
Overall Length	9.86 in	Frame Length	3.75 in
Shaft Diameter	0.500 in	Shaft Extension	5.5 in
Outline Drawing	752A-S01	Connection Drawing	614131-347

This is an uncontrolled document once printed or downloaded and is subject to change without notice. Date Created:11/09/2021

4

3

2

1

GENERAL INFORMATION:

SHAFT RUNOUT: .001 [.025] T.I.R. PER INCH LENGTH OF EXTENSION

END PLAY: .010 TO .063 [.250 TO 1.600]

BEARINGS: SLEEVE

MOUNTING POSITION: HORIZONTAL

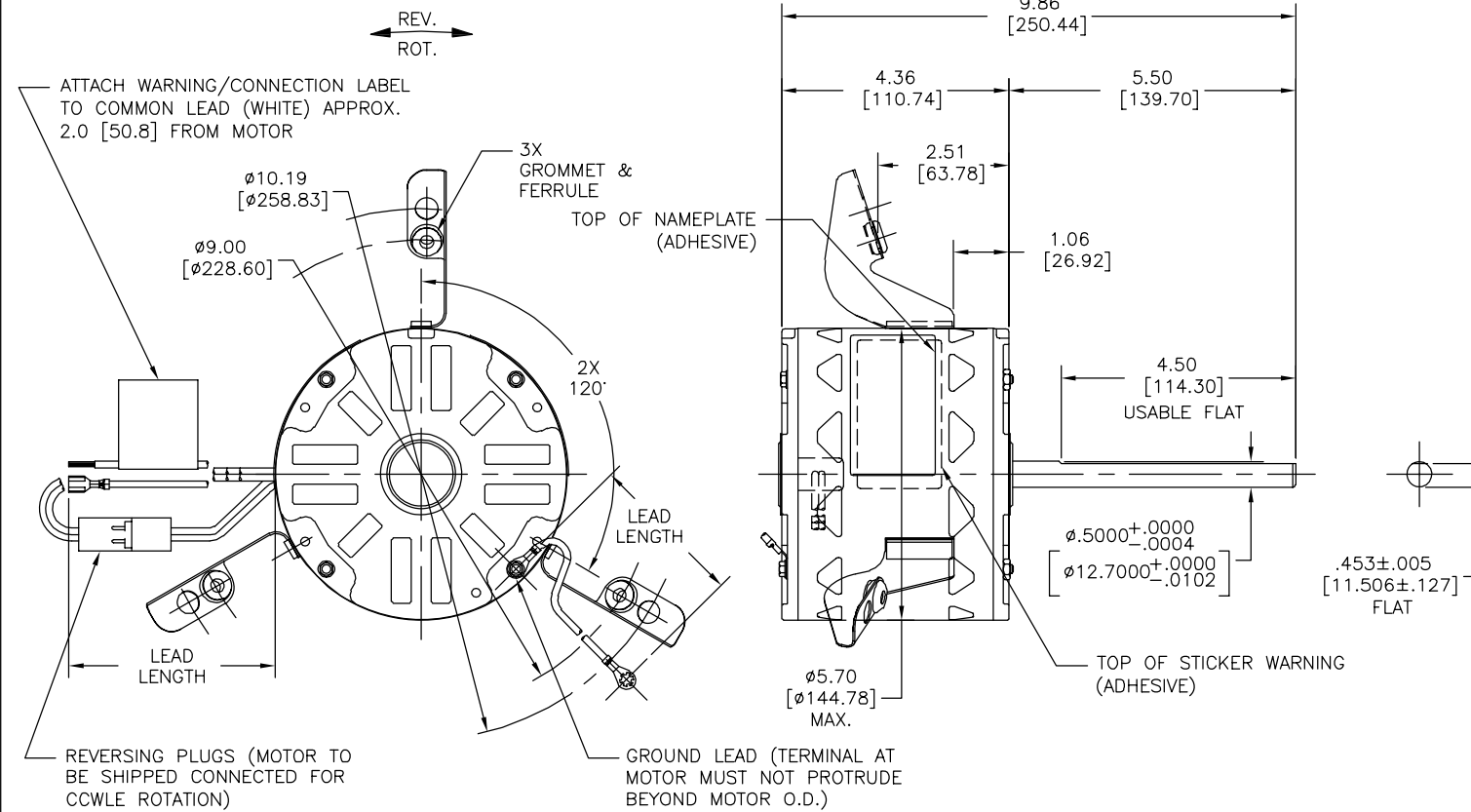
ELECTRICAL DATA:

OVERLOAD PROTECTOR: AUTOMATIC RESET (T.I. 7AM 036)

LINE LEADS: NO. 18 GA., .06 [1.52] THK. PVC 105°C INSUL.

REVERSING LEADS: NO. 18 GA., .03 [.76] THK. XLP 125°C INSUL.

GROUND LEAD: NO. 18 GA., .03 [.76] THK. (GREEN/YELLOW) INSUL.



GREEN/YELLOW (GROUND)	11.0/13.0 [279.4/330.2]	#10 EYELET
BLACK/WHITE	3.0/5.0 [76.2/127.0]	REVERSING PLUGS
BROWN	24.0/26.0 [609.6/660.4]	.25 [6.35] FEMALE SPADE
BROWN/WHITE	24.0/26.0 [609.6/660.4]	.25 [6.35] FEMALE SPADE
RED	24.0/26.0 [609.6/660.4]	.50 [12.70] SKIN
BLUE	24.0/26.0 [609.6/660.4]	.50 [12.70] SKIN
YELLOW	24.0/26.0 [609.6/660.4]	.50 [12.70] SKIN
BLACK	24.0/26.0 [609.6/660.4]	.50 [12.70] SKIN
WHITE	24.0/26.0 [609.6/660.4]	.50 [12.70] SKIN
COLOR	LENGTH	TERMINAL OR STRIP LENGTH

REGAL-BELOIT CORPORATION (RBC) PROVIDES TECHNICAL ASSISTANCE TO OUR CUSTOMERS IN SEVERAL AREAS. SINCE RBC DOES NOT RECEIVE ALL DATA CONCERNING THE USE AND APPLICATION OF THE MOTOR, THE SUITABILITY OF THE MOTOR FOR THE APPLICATION MUST BE DETERMINED BY THE CUSTOMER.

DIMENSIONS WITHOUT TOLERANCES ARE FOR REFERENCE ONLY.

MAIN FRAME - OLE	OPEN
END FRAME - OLE	OPEN
MAIN FRAME - LE	OPEN
END FRAME - LE	OPEN

CUSTOMER	DISTRIBUTION SERVICE
----------	----------------------

NAMEPLATE DATA:	EXTERNAL CONNECTION DIAGRAM
MODEL NO.: F48Z16A01 CUST. P/N: 752A HP: 1/4, 1/6, 1/8, 1/10 ROT.: REVERSIBLE RPM: 1075 TYPE: UF FRAME: 48 VOLTS: 115 PH: 1 AMPS: 3.9, 2.8, 2.1, 1.6 HZ: 60 INS.: B AMB.: 50° C DUTY: AIR OVER CAP.: 5 MFD/370 V ENCL.: OPEN UL LOGO CSA LOGO THERMALLY PROTECTED	

PERFORMANCE CURVE NO.	TORQUE @ 1075 RPM (25°C)	APPROVED SAMPLE	UL COMPONENT		CSA	
			FILE #	CCN #	FILE #	CLASS #
C32678	28.6 OZ. FT.	0600680B	E46412	PRGY2	LR43341	4211-01

LEAD DATA

DRAWING REVISION: A	REVISION BY: G.ZHAO	DATE: 07-08-2014
ECD: 0053912	APPROVED BY: C.ZHOU	DATE: 07-08-2014

ECO DESCRIPTION: NEW MODEL RELEASE

COPYRIGHT REGAL-BELOIT AMERICA, INC. ALL RIGHTS RESERVED. PROPRIETARY AND CONFIDENTIAL INFORMATION - THIS DOCUMENT IS THE PROPERTY OF REGAL-BELOIT AMERICA, INC. (OWNER) AND CONTAINS OWNER'S PROPRIETARY INFORMATION. ANY PERSON, CORPORATION OR OTHER FIRM RECEIVING IT IS DEEMED, BY RECEIVING IT, TO AGREE THAT IT, AND/OR ANY PART OF IT, SHALL NOT BE DISCLOSED TO ANY PERSON, CORPORATION OR OTHER ENTITY, DUPLICATED, AND/OR USED, EXCEPT AS EXPRESSLY APPROVED IN WRITING IN ADVANCE BY OWNER. THIS DOCUMENT SHALL BE RETURNED TO OWNER UPON REQUEST. IT MAY BE SUBJECT TO CERTAIN RESTRICTIONS UNDER APPLICABLE EXPORT CONTROL LAWS AND REGULATIONS.

DRAWN BY: G.ZHAO	DATE: 07-08-2014	Regal Beloit America, Inc.
APPROVED BY: C.ZHOU	DATE: 07-08-2014	
REFERENCE: -	MATERIAL: -	DESCRIPTION: MODEL-RFHP-48FR OUTLINE
THIRD ANGLE PROJECTION	SIZE DWG NO: C 752A	PROCESS/FINISH: -
		SHEET: 1

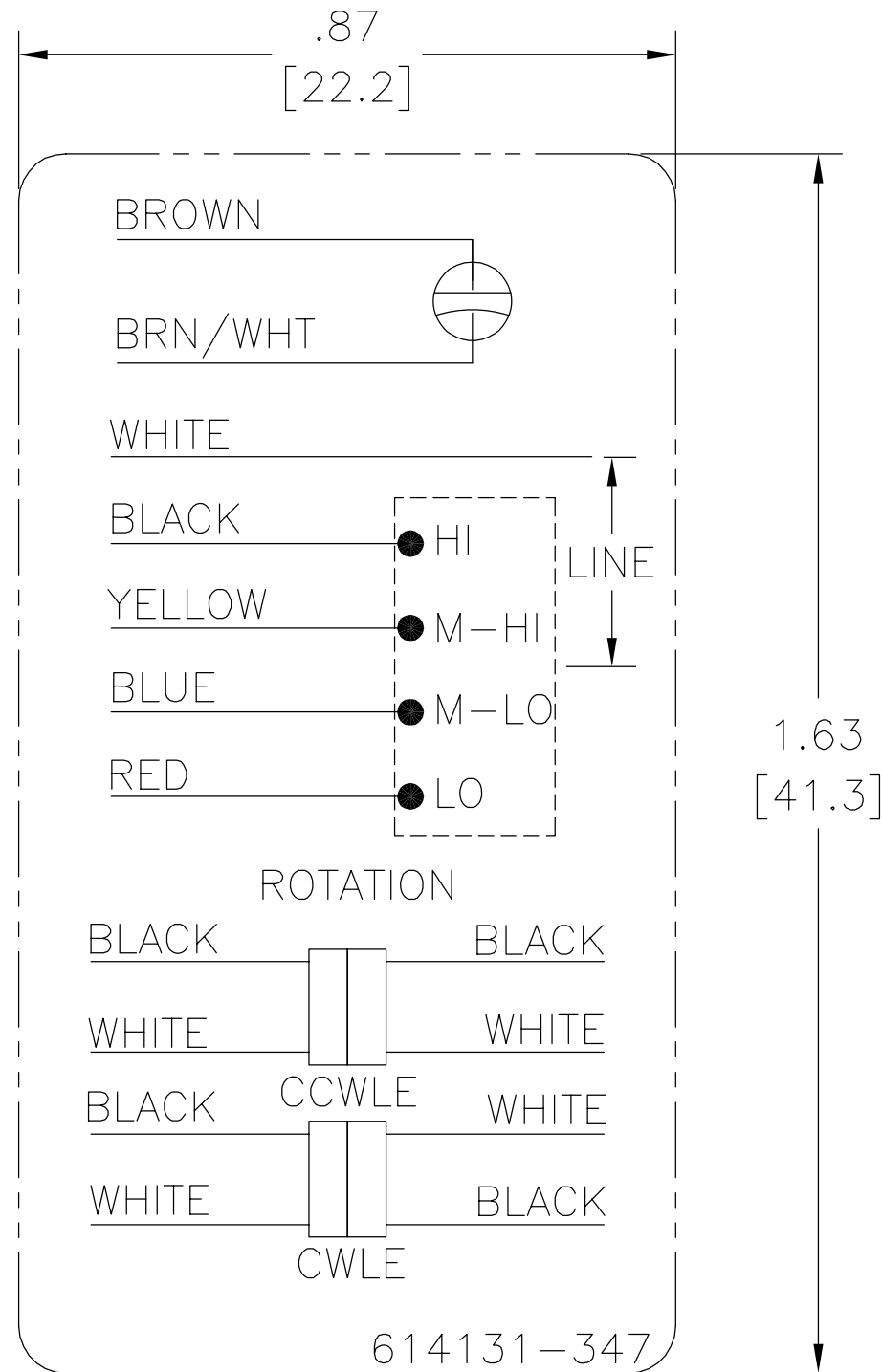
4

3

2

1

REV	ECO	REV BY	DATE	APPD	DATE
B	0004268	Lara Grado	02-05-2009	C. Contreras	02-05-2009



NOTES:

1. FOR USE WITH 614129 NAMEPLATE BLANK
2. — — — — — INDICATES DIMENSION LIMITS
3. DIE TO BE MADE FROM MASTER SUPPLIED BY A. O. SMITH CORPORATION
4. DIE MUST PRODUCE A LEGIBLE IMPRESSION.

GEOMETRIC CHARACTERISTICS & SYMBOLS

- ▭ FLATNESS
- STRAIGHTNESS
- ∠ ANGULARITY
- ⊥ PERPENDICULARITY (SQUARENESS)
- // PARALLELISM
- ROUNDNESS (CIRCULARITY)
- ⊘ CYLINDRICITY
- △ PROFILE OF ANY SURFACE
- ∩ PROFILE OF ANY LINE
- ↑ RUNOUT
- ⊕ TRUE POSITION
- ◎ CONCENTRICITY
- ≡ SYMMETRY

UNLESS OTHERWISE SPECIFIED  
DIM. TOLERANCES ARE AS FOLLOWS:

INCH	±.1	±.02	±.005	±.0005
mm	±0.5	±0.13	±0.013	

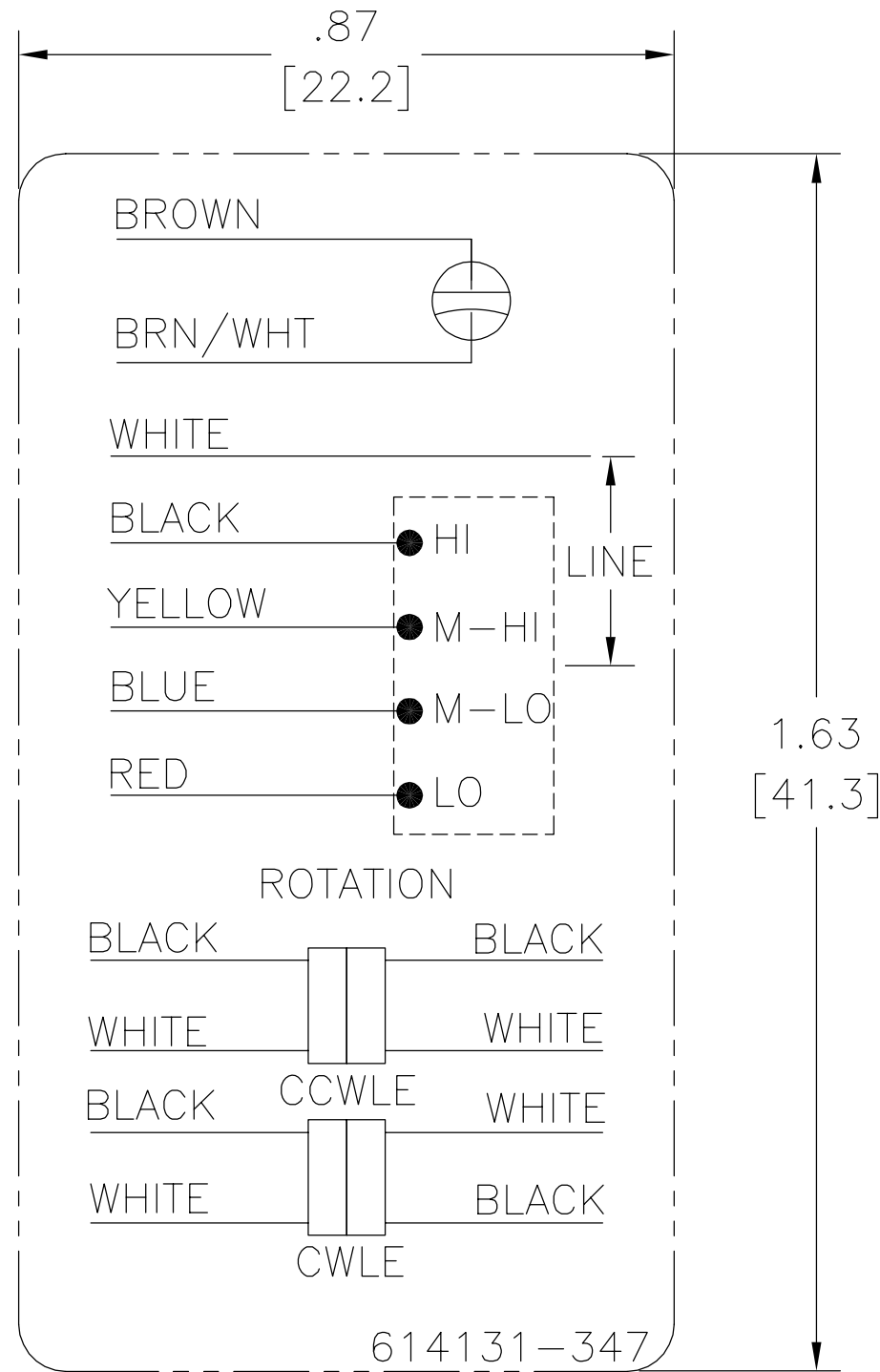
ANG. ±.50 DEG  
REMOVE BURRS & BREAK SHARP EDGES:  
INCH .003-.015 mm 0.1-0.4  
CORNER FILLETS TO:  
INCH .020 mm 0.5  
MACHINE SURFACES:  
INCH 125 mm 3.2

METRIC DIMS. SHOWN IN [BRACKETS]

DR BY:	L. Grado	02-05-2009
APPD:	C. Contreras	02-05-2009
THIRD ANGLE PROJECTION		EDS DATE 01-21-2007 FORMAT REV F
CONFIDENTIAL: THIS DRAWING AND ITS INFORMATION ARE THE EXCLUSIVE AND CONFIDENTIAL PROPERTY OF A.O. SMITH CORP. AND ARE NOT TO BE DISCLOSED, DUPLICATED, DISTRIBUTED OR OTHERWISE USED WITHOUT THE WRITTEN CONSENT OF A.O. SMITH CORP. -ALL RIGHTS RESERVED. ASME Y14.5M 1994		

 <b>AC Smith</b> Innovation has a name.		<b>ELECTRICAL PRODUCTS COMPANY</b> A DIVISION OF A. O. SMITH CORPORATION	
DESCRIPTION CONN DIAGRAM-EXTERNAL			
SIZE	A	DWG NO	614131-347
SCALE	NONE	SHEET	1

REVISION:	ECO	REVISADO POR:	FECHA:	APROBADO POR:	FECHA:
B	0004268	Lara Grado	02-05-2009	C. Contreras	02-05-2009



NOTAS:

1. PARA USAR CON 614129 PLACA DE DATOS EN BLANCO.
2. ——— ——— INDICA LIMITES DE DIMENSION
3. EL MOLDE DEBE ESTAR HECHO DESDE EL PROVEEDOR PRINCIPAL POR A. O. SMITH CORPORATION
4. EL MOLDE DEBE PRODUCIR UNA IMPRESION LEGIBLE.


CARACTERISTICAS DE GEOMETRIA Y SIMBOLOS

- ▭ PLANICIDAD
- RECTITUD
- ∠ ANGULARIDAD
- ⊥ PERPENDICULARIDAD (A ESCUADRA)
- // PARALELISMO
- REDONDEZ (CIRCULARIDAD)
- ⊘ CILINDRICIDAD
- ⊖ PERFIL DE CUALQUIER SUPERFICIE
- ⌒ PERFIL DE CUALQUIER LINEA
- ↑ VARIACION
- ⊕ POSICION REAL
- ◎ CONCENTRICIDAD
- ≡ SIMETRIA

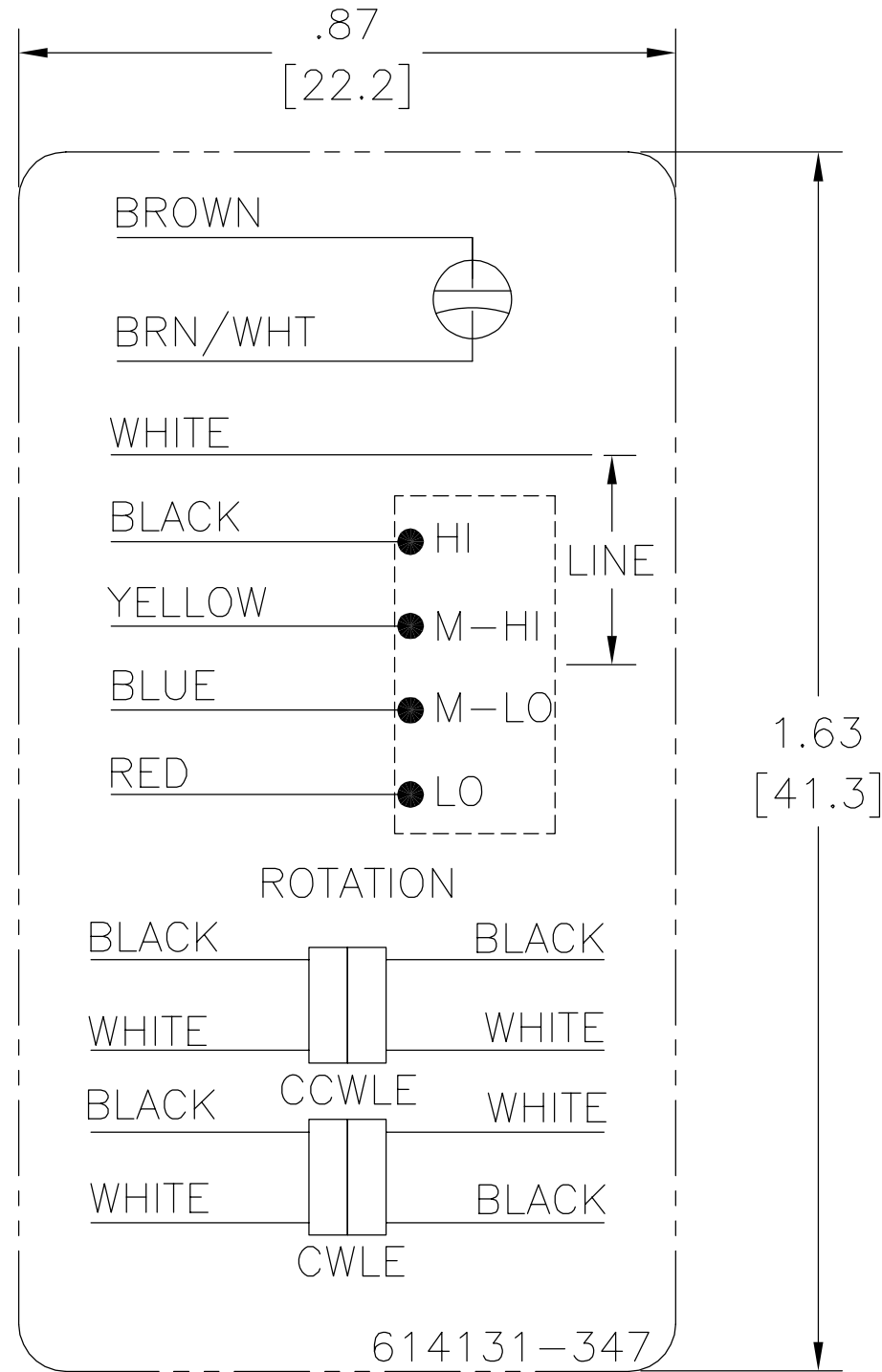
A MENOS QUE SE ESPECIFIQUE DE OTRA MANERA, LAS TOLERANCIAS DE LAS DIMS; SON LAS SIGUIENTES:

	X	XX	XXX	XXXX
PULG	±.1	±.02	±.005	±.0005
mm	±0.5	±0.13	±0.013	
ANG.	±.50 GRADOS			
ELIMINAR REBABAS Y ORILLAS FILOSAS DEL BORDE.				
	PULG	.003-.015	mm	0.1-0.4
FILETEAR ESQUINA:	PULG	.020	mm	0.5
MAQUINAR SUPERFICIES	PULG	125	mm	3.2
DIMS METRICAS MOSTRADAS [PARENTESIS]				

DIBUJADO POR:	L. Grado	02-05-2009
APROBADO POR:	C. Contreras	02-05-2009
TERCER ANGULO DE PROYECCION	⊕	FECHA EDS: 01-21-2007
		REV. FORMATO: F
CONFIDENCIAL: ESTE DIBUJO Y SU INFORMACION SON PROPIEDAD DE USO EXCLUSIVO Y CONFIDENCIAL DE A.O.SMITH CORP. Y NO DEBERAN SER REVELADOS, DUPLICADOS, DISTRIBUIDOS O USARSE DE OTRA MANERA SIN EL CONSENTIMIENTO ESCRITO DE A.O. SMITH CORP. -TODOS LOS DERECHOS RESERVADOS.ASME Y14.5M 1994		

 <b>ELECTRICAL PRODUCTS COMPANY</b> <small>A DIVISION OF A. O. SMITH CORPORATION</small>	
DESCRIPCION: CONN DIAGRAM-EXTERNAL	
TAMAÑO: A	NUMERO DE DIBUJO: 614131-347
ESCALA: NONE	HOJA: 1

??	ECO	??	??	??	??
B	0004268	Lara Grado	02-05-2009	C. Contreras	02-05-2009



□ ???  
 - ???  
 < ???  
 ⊥ ???  
 // ???  
 ○ ???  
 ⊕ ???  
 △ ???  
 ∩ ???  
 ↑ ???  
 ⊕ ???  
 ⊙ ???  
 = ???

?????  
 ??????  
 ?? X XX XXX XXXX  
 ?? ±.1 ±.02 ±.005 ±.0005  
 ?? ±0.5 ±0.13 ±0.013  
 ?? ±.50 ?  
 ??????  
 ?? .003-.015 ?? 0.1-0.4  
 ???  
 ?? .020 ?? 0.5  
 ?????  
 ?? 125 ?? 3.2  
 ???????[ ]

??:	L. Grado	02-05-2009
??:	C. Contreras	02-05-2009
?????	⊕	?????? 01-21-2007
		????? F
??:	????????????????A.O.SMITH?????	
??:	??A.O.SMITH????????????????????	
?????	?????--?????	
	ASME Y14.5M 1994	

		<b>ELECTRICAL PRODUCTS COMPANY</b> <small>A DIVISION OF A. O. SMITH CORPORATION</small>	
CONN DIAGRAM-EXTERNAL			
??	A	??	614131-347
??	NONE	??	1