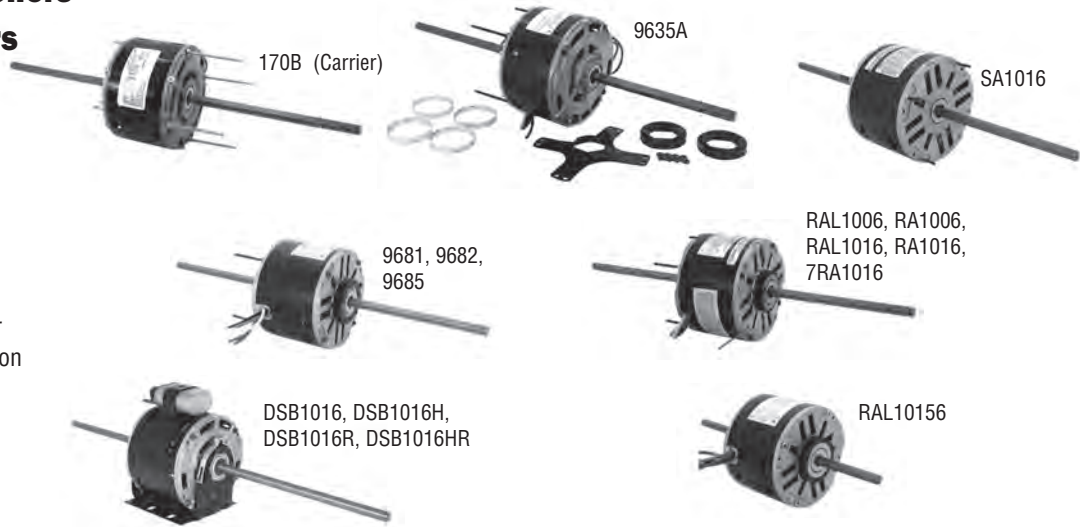


5-5/8" Diameter Double Shaft Fan/Blower Motors

Room Air Conditioners - Fan Coils - Blowers

Features:

- Auto Protector
- Sleeve Bearing
- CCWLE Rotation
- Continuous Air Over
- Energy Efficient \$
- Permanent Split Capacitor
- Semi-enclosed Construction
- 60 HZ
- 1/2" Dia. Flatted Shafts



"CONSERVATIONIST™" (CAPACITOR NOT INCLUDED)

HP	RPM**	Speeds	Volts	Amps Rated	Stock Number	Capacitor	Dim. Ref.	Notes
1/15	1075	3	115	.63	RAL10156	3-5MFD/370V	5	\$
1/8	1075	3	115	2.0	RAL1006	5MFD-370V	1	6,24,29,\$
1/8	1075	3	208-230	.75	RA1006	5MFD-370V	1	6,24,31,\$
1/8	1550	3	115	2.3	9681	7.5MFD/370V	8	6,24,31,\$
1/8	1550	3	208-230	1.1	9682	7.5MFD/370V	8	6,24,31,\$
1/6	1075	3	115	2.2	RAL1016	5MFD-370V	2	6,24,31,\$
1/6	1075	3	115	3.1	DSB1016	Included	6	31,81,\$
1/6	1075	3	208-230	.96	RA1016	5MFD-370V	1	24,31,\$
1/6	1075	3	208-230	.96	SA1016	5MFD-370V	1	31,\$
1/6	1075	3	230	1.2	DSB1016H	Included	6	31,81,\$
1/6	1075	3	277	.8	7RA1016	5MFD-370V	3	24,31,\$
1/6	1550	3	115	2.7	9685	10MFD/370V	9	6,24,31,\$
1/6	1625	3	115	1.9	9635A	5MFD-370V	4	24,29,\$
1/6	1625	2	115	2.4	DSB1016R	Included	7	31,81,334,\$
1/6	1625	3	208-230	1.1	170B	5MFD-370V	4	3,29,\$
1/6	1625	2	230	1.3	DSB1016HR	Included	7	31,81,334,\$

Notes:

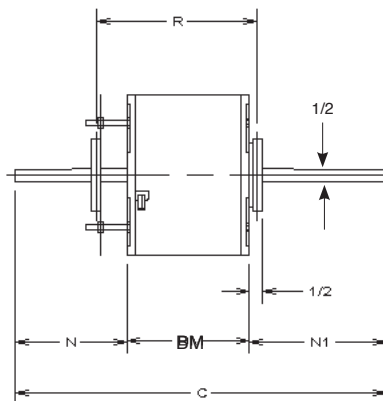
- 3. Special OEM Replacement Motor (see pages 94-132)
 - 6. 60/50 HZ
 - 24. Mounting Accessories Packaged with Motor
 - 29. 60°C Ambient
 - 31. 40°C Ambient
 - 81. Includes base
 - 334. Reversible
- **Approximately 150 RPM difference between speeds

Continues on next page

Approximate Dimensions

Ref.	BM	FC	N	N1
1	3.74	20	8.26	8
2	3.86	20	8.14	8
3	3.86	20	8.02	8.12
4	3.75	20.75	8.50	8.50
5	3.61	15.25	5.82	5.82
6	3.86	18.86	7.50	7.50
7	4.11	19.11	7.50	7.50
8	3.86	19.37	7.51	8.00
9	3.99	20	7.51	8.50

Minimum R = BM + 3/4"
Maximum R = BM + 2"

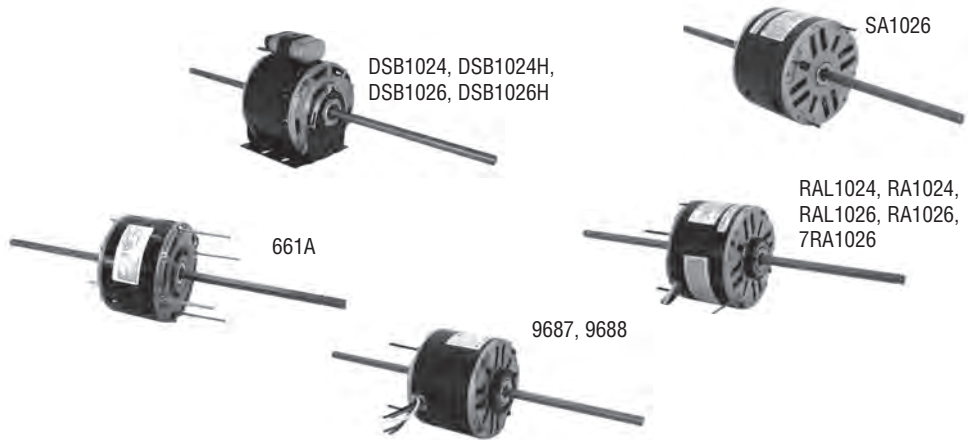


5-5/8" Diameter Double Shaft Fan/Blower Motors

Room Air Conditioners - Fan Coils - Blowers

Features:

- Auto Protector
- Sleeve Bearing
- CCWLE Rotation
- Continuous Air Over
- Energy Efficient \$
- Permanent Split Capacitor
- Semi-enclosed Construction
- 60 HZ
- 1/2" Dia. Flatted Shafts



"CONSERVATIONIST™" (CAPACITOR NOT INCLUDED)

HP	RPM**	Speeds	Volts	Amps Rated	Stock Number	Capacitor	Dim. Ref.	Notes
1/4	1075	2	115	4.4	DSB1026	Included	2	31,81,\$
1/4	1075	3	115	3.4	RAL1026	5MFD-370V	4	6,24,31,\$
1/4	1075	3	208-230	1.5	RA1026	5MFD-370V	5	24,29,\$
1/4	1075	3	208-230	1.5	SA1026	5MFD-370V	5	29,\$
1/4	1075	2	230	1.9	DSB1026H	Included	2	29,81,\$
1/4	1075	3	277	1.3	7RA1026	5MFD-370V	6	24,31,\$
1/4	1625	2	115	2.4	DSB1024	Included	1	31,81,\$
1/4	1550	3	115	4.9	9687	4MFD-370V	9	6,24,31,\$
1/4	1625	3	115	3.0	661A	5MFD-370V	8	29,\$
1/4	1625	3	115	3.4	RAL1024	5MFD-370V	3	24,31,\$
1/4	1550	3	208-230	2.2	9688	4MFD-370V	9	6,24,31,\$
1/4	1625	3	208-230	1.9	RA1024	5MFD-370V	3	6,24,31,\$
1/4	1625	2	230	1.3	DSB1024H	Included	1	31,81,\$

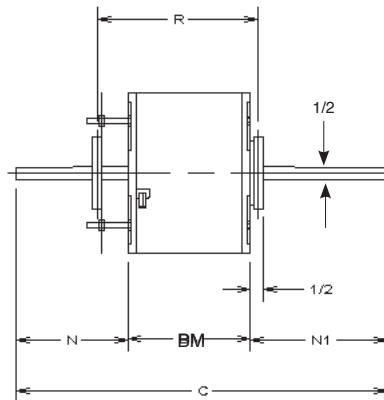
Continues on next page

Notes:

- 6. 60/50 HZ
- 24. Mounting Accessories Packaged with Motor
- 29. 60°C Ambient
- 31. 40°C Ambient
- 81. Includes base
- **Approximately 150 RPM difference between speeds.

Approximate Dimensions

Ref.	BM	FC	N	N1
1	4.11	19.11	7.50	7.50
2	3.99	18.99	7.50	7.50
3	4.36	20	7.64	8
4	4.24	20	7.76	8
5	4.11	20	7.89	8
6	3.99	20	7.89	8.12
7	4.00	23	9.50	9.50
8	4.00	21	8.50	8.50
9	4.49	20	7.51	8



Minimum R = BM + 3/4"
Maximum R = BM + 2"

Room Air Conditioners - Fan Coils - Blowers

Features:

- Auto Protector
- Continuous Duty, Air Over
- Energy Efficient **\$**
- Permanent Split Capacitor
- 1/2" Dia. Flatted Shafts
- CCWLE Rotation
- Sleeve Bearing
- Semi-Enclosed Construction
- 60 Hz

- Lugs available separately
- Use Kit No. 1327 - 1/4" Slot
1328 - 3/4" Slot
1329 - Length Adapter

OEM replacement for Chrysler, Sears, Whirlpool, Gibson, Carrier, Quiet Kool, Delco, Singer, American Standard, Fedders, Tappan, York and others.



DSB1034H,
DSB1036H



RAL1034, RA1034,
RAL1036, RA1036,
7RA1036



RAB1036



SA1036V1



RA1036WB

HP	RPM**	Speeds	Volts	Amps Rated	Stock Number	Capacitor	Dim. Ref.	Notes
1/3	1075	3	115	5.0	RAL1036	5MFD-370V	2	6,24,31,\$
1/3	1075	3	208-230	1.9	RA1036	5MFD-370V	3	24,29,\$
1/3	1075	3	208-230	1.9	RA1036WB	5MFD-370V	8	29,81,\$
1/3	1075	3	208-230	2.2	SA1036V1	5MFD-370V	4	31,\$
1/3	1075	3	230	1.9	RAB1036	5MFD-370V	6	31,118,\$
1/3	1075	3	230	3.1	DSB1036H	Included	7	31,81,\$
1/3	1075	3	277	1.9	7RA1036	7.5MFD-370V	5	24,31,\$
1/3	1625	3	115	4.0	RAL1034	5MFD-370V	1	6,24,31,\$
1/3	1625	3	208-230	2.0	RA1034	5MFD-370V	1	24,90,\$
1/3	1625	3	230	2.0	DSB1034H	Included	9	31,81,\$

Notes:

- 6. 60/50 HZ
- 24. Mounting accessories packaged with motor
- 29. 60°C Ambient
- 31. 40°C Ambient
- 81. Includes base
- 90. 50°C Ambient
- 118. TEAO

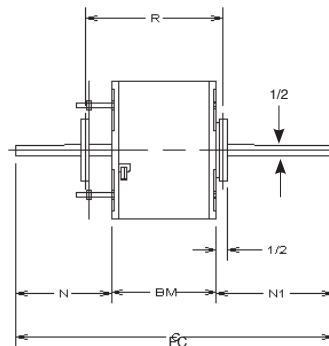
**Approximately 150 RPM difference between speeds.

Continues on next page

Approximate Dimensions

Ref.	BM	FC	N	N1
1	4.61	20.00	7.39	8.00
2	4.86	20.00	7.89	7.25
3	4.61	20.00	8.14	7.25
4	4.11	20.00	7.95	7.94
5	4.61	20.00	7.64	7.75
6	4.49	13.49	4.00	5.00
7	4.36	19.36	7.50	7.50
8	4.61	20.11	6.50	9.00
9	4.49	19.49	7.50	7.50

Minimum R = BM + 3/4"
Maximum R = BM + 2"



5-5/8" Diameter Double Shaft Fan/Blower Motors

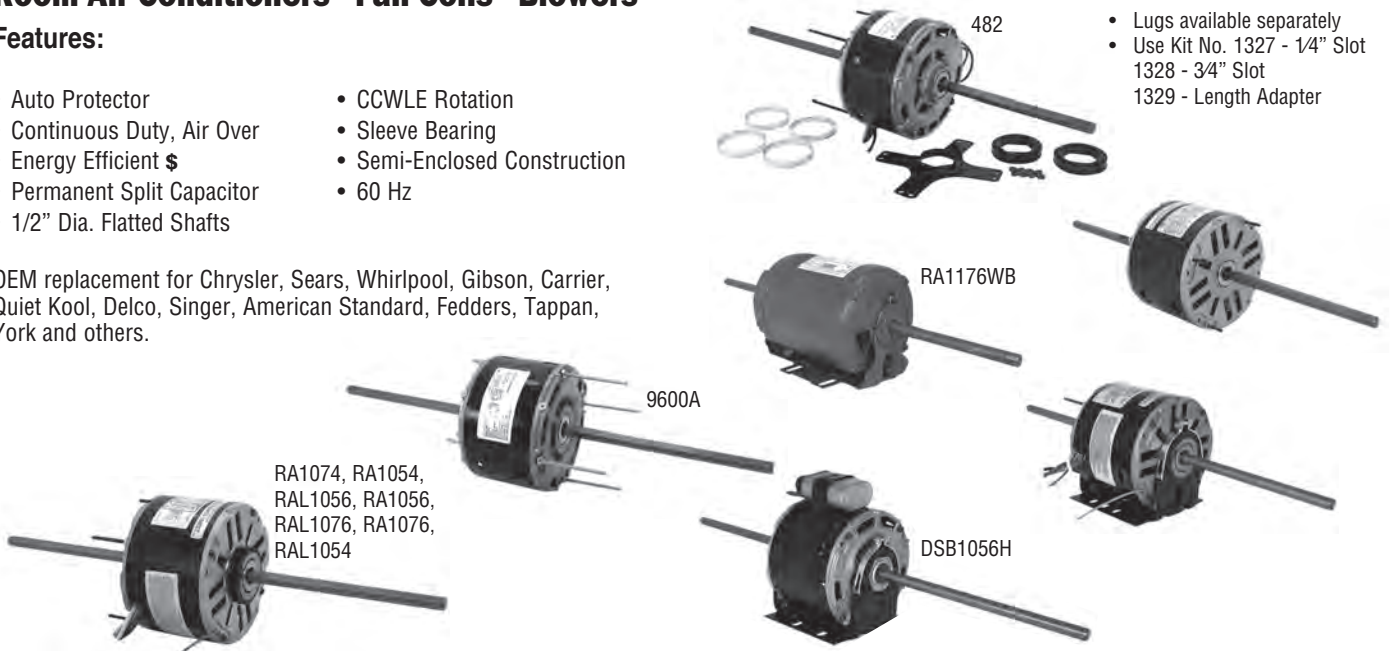
Room Air Conditioners - Fan Coils - Blowers

Features:

- Auto Protector
- Continuous Duty, Air Over
- Energy Efficient \$
- Permanent Split Capacitor
- 1/2" Dia. Flatted Shafts
- CCWLE Rotation
- Sleeve Bearing
- Semi-Enclosed Construction
- 60 Hz

OEM replacement for Chrysler, Sears, Whirlpool, Gibson, Carrier, Quiet Kool, Delco, Singer, American Standard, Fedders, Tappan, York and others.

- Lugs available separately
- Use Kit No. 1327 - 1/4" Slot
- 1328 - 3/4" Slot
- 1329 - Length Adapter

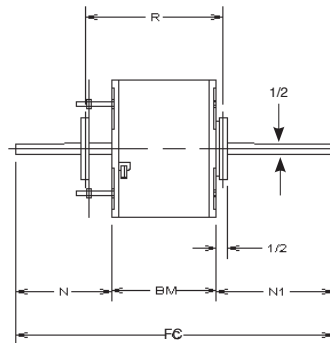


HP	RPM**	Speeds	Volts	Amps Rated	Stock Number	Capacitor	Dim. Ref.	Notes
1/2	1075	3	115	5.2	RAL1056	10MFD-370V	4	24,31,\$
1/2	1075	3	115	6.8	594A	10MFD-370V	2	29,\$
1/2	1075	3	208-230	2.7	RA1056	7.5MFD-370V	3	24,29,\$
1/2	1075	3	208-230	2.7	SA1056	7.5MFD-370V	3	29,\$
1/2	1075	3	208-230	2.7	RA1056WB	7.5MFD-370V	6	29,81,\$
1/2	1075	2	230	4.0	DSB1056H	Included	8	31,81,\$
1/2	1625	3	115	6.0	RAL1054	5MFD-370V	3	24,31,\$
1/2	1625	3	208-230	3.2	RA1054	5MFD-370V	3	6,24,31,\$
3/4	1075	3	115	12.6	9600A	10MFD-370V	1	31,\$
3/4	1075	3	115	8.2	RAL1076	15MFD-370V	4	24,31,\$
3/4	1075	1	200-230	4.4-4.2	RA1176WB	25MFD-370V	7	2,29,81,159,348,\$
3/4	1075	3	208-230	3.6	RA1076	7.5MFD-370V	4	24,31,\$
3/4	1625	3	208-230	3.8	RA1074	7.5MFD-370V	5	24,31,\$
3/4	1625	3	208-230	4.2	482	7.5MFD-370V	2	1,24,31,\$

Notes:

1. Item to be discontinued when stock is depleted
 2. Ball bearing
 6. 60/50 HZ
 24. Mounting Accessories Packaged with Motor
 29. 60°C Ambient
 31. 40°C Ambient
 81. Includes base
 159. Open drip proof
 348. 6-1/2" diameter
- **Approximately 150 RPM difference between speeds.

Minimum R = BM + 3/4"
Maximum R = BM + 2"



Approximate Dimensions

Ref.	BM	FC	N	N1
1	5.50	21.50	8.00	8.00
2	5.25	20.25	7.50	7.50
3	5.11	20.00	7.64	7.25
4	5.36	20.00	7.39	7.25
5	5.61	20.00	7.14	7.25
6	5.11	21.74	8.63	8.00
7	10.26	23.88	6.81	6.81
8	4.86	19.86	7.50	7.50

5-5/8" Diameter Fan/Blower Motors

Room Air Conditioners - Fan Coils - Blowers

Features:

- Auto Protector
- Continuous Air Over
- Energy Efficient \$
- Fleximount
- Open Construction
- Permanent Split Capacitor
- Reversible
- Sleeve Bearing
- 1/2" Dia. - Flatted Shaft
- 24" Leads Minimum
- 40°-50°-60° C Ambient
- 48 Frame (5-5/8" Dia.)
- 60 HZ
- 2 hole lugs replace both 9" and 10" bolt circle



9421V1, 9422V1, 754A, 9431A, 9432A, 9647



9435V1A (Titus)



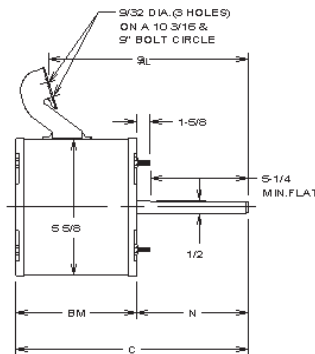
FML1026, FM1026, FML1036, FM1036, FML1056, FM1056, 753A, FM1076, FML1076V1, 9433A, 9434A, 752A

"FLEXIMOUNT" DESIGNED FOR 9" AND 10" SHAFT MOUNTED BLOWER WHEELS (CAPACITOR NOT INCLUDED)

HP	RPM	Speeds	Volts	Amps		Stock Number	Capacitor	Dim. Ref.	Notes
				Rated	Max.				
1/6	1075	3	115	2.7		9647	5MFD-370V	13	9,31,\$
1/6	1075	3	277	.78		9431A	5MFD-370V	5	10,29,\$
1/4	1075	3	115	3.5	3.6	FML1026	7.5MFD-370V	1	9,90,\$
1/4	1075	4	115	3.9		752A	5MFD-370V	5	9,90,\$
1/4	1075	3	208-230	1.4	1.5	FM1026	5MFD-370V	1	6,9,90,\$
1/4	1075	3	277	1.2		9432A	5MFD-370V	13	10,29,\$
1/3	1075	3	115	6.0	7.6	FML1036	10MFD-370V	2	9,90,\$
1/3	1075	4	115	5.6		753A	5MFD-370V	7	9,31,\$
1/3	1075	3	208-230	2.7	3.7	FM1036	7.5MFD-370V	2	6,9,90,\$
1/3	1075	3	277	1.9		9433A	7.5MFD-370V	8	9,31,\$
1/2	1075	3	115	8.0	12.3	FML1056	10MFD-370V	3	9,90
1/2	1075	4	115	8.9		754A	7.5MFD-370V	9	9,31,\$
1/2	1075	3	208-230	3.4	4.9	FM1056	10MFD-370V	3	9,90,\$
1/2	1075	1	277	2.8		9435V1A	10MFD-370V	10	3,9,31,79,\$
1/2	1075	3	277	2.1		9434A	7.5MFD-370V	9	9,29
1/2	1075	2	460	1.51		9421V1A	7.5MFD-370V	11	9,31,302,\$
3/4	1075	4	115	10.9		FML1076V1	15MFD-370V	4	6,9,90,207,\$
3/4	1075	3	208-230	4.9	5.9	FM1076	10MFD-370V	4	9,90,207
3/4	1075	2	460	2.2		9422V1A	10MFD-440V	12	9,31,302,\$

Notes:

- Special OEM Replacement Motor (see pages 94-132)
- 60/50 HZ
- Reversing plug
- Reversible/quick connect terminals
- 60°C Ambient
- 40°C Ambient
- Leadless Design
- 50°C Ambient
- Fleximount arms are not attached to motor – bellyband with Fleximount arms is packed with motor
- 11" Leads min.



Approximate Dimensions

Ref.	BM	C	N	AL
1	4.11	10.11	6	9
2	4.36	10.36	6	9
3	4.86	10.86	6	9
4	5.36	11.36	6	9
5	4.25	9.77	5.52	8.03
6	4.50	9.00	4.50	9.18
7	4.75	10.27	5.52	8.33
8	4.75	10.27	5.52	8.03
9	5.50	11.02	5.52	8.45
10	5	9.50	4.50	7.70
11	5	9.50	4.50	8.48
12	5.50	10.00	4.50	8.48
13	4.24	9.74	5.50	8.50