

PRODUCT INFORMATION PACKET



Model No: 733A
Catalog No: 733A

Unit Heater Motor, 1/2 HP, 1 Ph, 60 Hz, 115/208-230 V, 1140 RPM, 1 Speed, 48 Frame, TEAO



Regal and Century are trademarks of Regal Rexnord Corporation or one of its affiliated companies.
©2022 Regal Rexnord Corporation, All Rights Reserved. MC017097E





Nameplate Specifications

Output HP	1/2 Hp	Output KW	0.37 kW
Frequency	60 Hz	Voltage	115/208-230 V
Current	5.6/2.8 A	Speed	1140 rpm
Service Factor	1	Phase	1
Duty	Air Over	Insulation Class	B
Frame	F48Y	Enclosure	Totally Enclosed Air Over
Thermal Protection	Automatic	Ambient Temperature	60 °C
UL	Recognized	CSA	Y
CE	N	Number of Speeds	1

Technical Specifications

Electrical Type	Permanent Split Capacitor	Starting Method	Across The Line
Poles	6	Rotation	Reversible
Mounting	Resilient Base	Motor Orientation	Any
Drive End Bearing	Ball	Opp Drive End Bearing	Ball
Frame Material	Rolled Steel	Shaft Type	Flat
Overall Length	12.78 in	Frame Length	6.50 in
Shaft Diameter	0.500 in	Shaft Extension	5.03 in
Outline Drawing	733A-S01	Connection Drawing	1011717-001

This is an uncontrolled document once printed or downloaded and is subject to change without notice. Date Created:11/28/2022

GENERAL INFORMATION:

SHAFT RUNOUT: .001 [.025] T.I.R. PER INCH LENGTH OF EXTENSION

BEARINGS: BALL

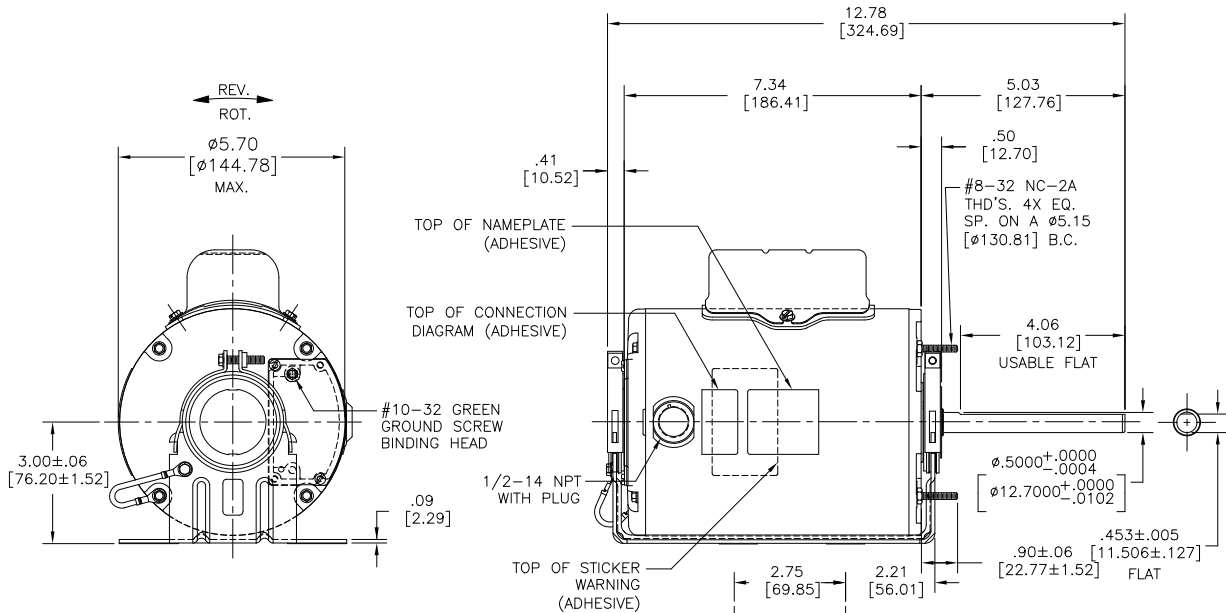
MOUNTING POSITION: ALL ANGLE

ELECTRICAL DATA:

OVERLOAD PROTECTOR: AUTOMATIC RESET (SESATA 7AM 036)

LEADS: NO. 18 GA., .03 [.8] THK. XLP 125°C INSUL.

GROUND LEAD: NO. 18 GA., .03 [.8] THK., GREEN/YELLOW INSUL.



- NOTES:
- SHIP SEPARATE 2503539-043 BAG ASSY.
 - MOTOR TO BE SHIPPED CONNECTED FOR CCWLE ROTATION AND 115 VOLTS.

NAMEPLATE DATA:	EXTERNAL CONNECTION DIAGRAM
MODEL NO.: F48Y59A01	
CUST. P/N: 733A	
HP: 1/2	
ROT.: REVERSIBLE	
RPM: 1140	
TYPE: UF	
FRAME: 48Y	
VOLTS: 115/208-230	
PH: 1	
AMPS: 5.6/2.8	
HZ: 60	
INS.: B	
AMB.: 60° C	
DUTY: AIR OVER	
CAP.: 10 MFD/370 V	
ENCL: ENCLOSED	
UL LOGO	
CSA LOGO	
THERMALLY PROTECTED	<p>SHOWN FOR CCWLE ROTATION, FOR CWLE INTERCHANGE RED AND BLACK LEADS</p> <p>614131-345</p>

GREEN/YELLOW (GROUND)	CONNECTED TO BASE	#10 EYELET
RED	CONNECTED TO CAPACITOR	.25 [6.35] FLAG
RED	CONNECTED TO CAPACITOR	.25 [6.35] FLAG
YELLOW	5.0/6.0 [127/152]	.25 [6.35] FLAG
BLACK	5.0/6.0 [127/152]	.25 [6.35] FLAG
ORANGE	5.0/6.0 [127/152]	.25 [6.35] FLAG
WHITE	5.0/6.0 [127/152]	.25 [6.35] FLAG
RED	5.0/6.0 [127/152]	.25 [6.35] FLAG
BROWN	5.0/6.0 [127/152]	.25 [6.35] FLAG
YELLOW/BLACK	5.0/6.0 [127/152]	.25 [6.35] FLAG
COLOR	LENGTH	TERMINAL OR STRIP LENGTH

REGAL-BELOIT CORPORATION (RBC) PROVIDES TECHNICAL ASSISTANCE TO OUR CUSTOMERS IN SEVERAL AREAS. SINCE RBC DOES NOT RECEIVE ALL DATA CONCERNING THE USE AND APPLICATION OF THE MOTOR, THE SUITABILITY OF THE MOTOR FOR THE APPLICATION MUST BE DETERMINED BY THE CUSTOMER.

DIMENSIONS WITHOUT TOLERANCES ARE FOR REFERENCE ONLY.

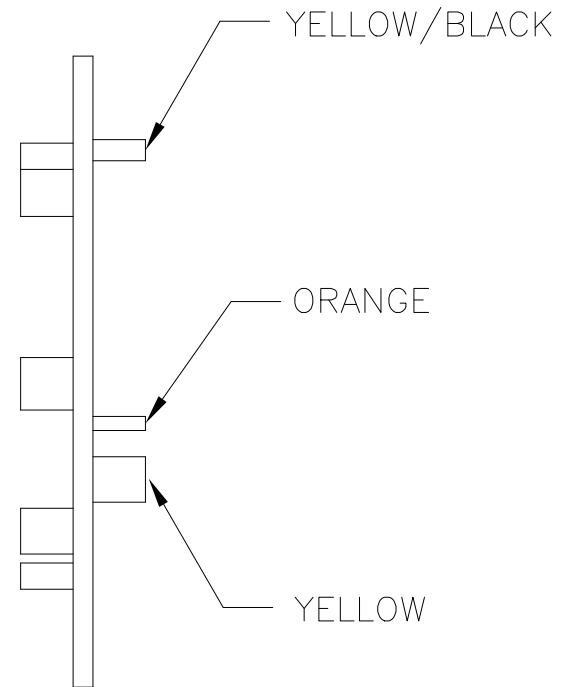
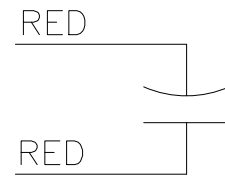
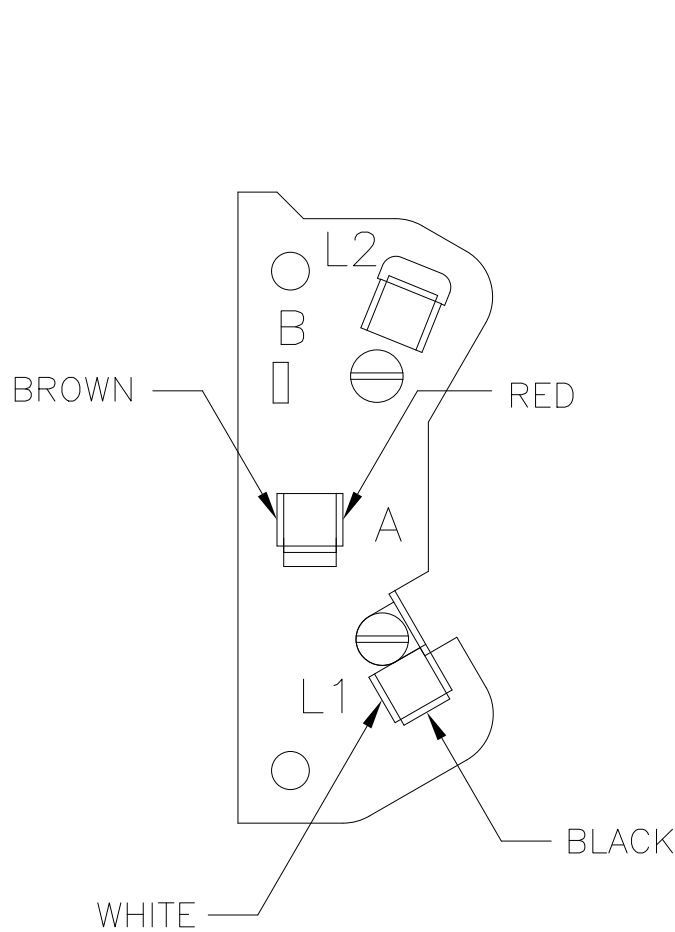
MAIN FRAME - OLE	ENCLOSED
END FRAME - OLE	ENCLOSED
MAIN FRAME - LE	ENCLOSED
END FRAME - LE	ENCLOSED

PERFORMANCE CURVE NO.	TORQUE @ 1140 RPM (25°C)	APPROVED SAMPLE	UL COMPONENT				CSA	
			FILE #	CCN #	FILE #	CLASS #		
C32632	34.6 OZ. FT.	0600700A	E46412	PRGY2	LR43341	4211-01		



DRAWING REVISION	REVISION BY	DATE
N	J. RUPERT	07-07-2021
E00	APPROVED BY	DATE
NMR-0209480	J. RUPERT	07-07-2021
ECO DESCRIPTION		
REVISED FOR UP ISSUE		

COPYRIGHT REGAL-BELOIT AMERICA, INC. ALL RIGHTS RESERVED. PROPRIETARY AND CONFIDENTIAL INFORMATION - THIS DOCUMENT IS THE PROPERTY OF REGAL-BELOIT AMERICA, INC. (OWNER) AND CONTAINS OWNER'S PROPRIETARY INFORMATION. ANY PERSON, CORPORATION OR OTHER ENTITY, DUPLICATED, AND/OR USED, BY RECEIVING IT, TO AGREE THAT IT, AND/OR ANY PART OF IT, SHALL NOT BE DISCLOSED TO ANY PERSON, CORPORATION OR OTHER ENTITY, DUPLICATED, AND/OR USED, EXCEPT AS EXPRESSLY APPROVED IN WRITING IN ADVANCE BY OWNER. THIS DOCUMENT SHALL BE RETURNED TO OWNER UPON REQUEST. IT MAY BE SUBJECT TO CERTAIN RESTRICTIONS UNDER APPLICABLE EXPORT CONTROL LAWS AND REGULATIONS.

ENCLOSURE		DRAWN BY: CASSIE.NI		DATE: 01-11-2007		REGAL™ Regal Beloit America, Inc.	
DATE: 02-25-2008		APPROVED BY:		DESCRIPTION		MODEL-RFHP-48FR OUTLINE	
REFERENCE		MATERIAL		PROCESS/FINISH		SIZE DWG NO	
THIRD ANGLE PROJECTION		-		-		733A	
SHEET 1		CUSTOMER		DISTRIBUTION SERVICE		SHEET 1	



115 V

DRAWING REVISION E	REVISION BY J. RUPERT	DATE 06-01-2022	TOLERANCES UNLESS OTHERWISE SPECIFIED	DRAWN BY: AJB	 Regal Beloit America, Inc.																					
ECO NMR-0218162	APPROVED BY J. RUPERT	DATE 06-01-2022	<table border="1"> <thead> <tr> <th>DEC.</th> <th>INCH</th> <th>mm</th> <th>ANGLE</th> </tr> </thead> <tbody> <tr> <td>.X</td> <td>±0.1</td> <td>[±2.5]</td> <td>±0.5°</td> </tr> <tr> <td>.XX</td> <td>±0.02</td> <td>[±0.51]</td> <td></td> </tr> <tr> <td>.XXX</td> <td>±0.005</td> <td>[±0.127]</td> <td></td> </tr> <tr> <td>.XXXX</td> <td>±0.0005</td> <td>[±0.0127]</td> <td></td> </tr> </tbody> </table>	DEC.				INCH	mm	ANGLE	.X	±0.1	[±2.5]	±0.5°	.XX	±0.02	[±0.51]		.XXX	±0.005	[±0.127]		.XXXX	±0.0005	[±0.0127]	
DEC.	INCH	mm	ANGLE																							
.X	±0.1	[±2.5]	±0.5°																							
.XX	±0.02	[±0.51]																								
.XXX	±0.005	[±0.127]																								
.XXXX	±0.0005	[±0.0127]																								
ECO DESCRIPTION REVISED FOR UP ISSUE			APPROVED BY: KB	DATE: 11-07-2007																						
<small>COPYRIGHT REGAL BELOIT AMERICA, INC. ALL RIGHTS RESERVED. PROPRIETARY AND CONFIDENTIAL INFORMATION - THIS DOCUMENT IS THE PROPERTY OF REGAL BELOIT AMERICA, INC. ("OWNER") AND CONTAINS OWNER'S PROPRIETARY INFORMATION. ANY PERSON, CORPORATION OR OTHER FIRM RECEIVING IT IS DEEMED, BY RECEIVING IT, TO AGREE THAT IT, AND/OR ANY PART OF IT, SHALL NOT BE DISCLOSED TO ANY PERSON, CORPORATION OR OTHER ENTITY, DUPLICATED, AND/OR USED, EXCEPT AS EXPRESSLY APPROVED IN WRITING IN ADVANCE BY OWNER. THIS DOCUMENT SHALL BE RETURNED TO OWNER UPON REQUEST. IT MAY BE SUBJECT TO CERTAIN RESTRICTIONS UNDER APPLICABLE EXPORT CONTROL LAWS AND REGULATIONS.</small>			REMOVE BURRS & BREAK SHARP EDGES .003/.015 [.076/.381] X 45°	REFERENCE	MATERIAL	PROCESS/FINISH																				
			CORNER FILLETS R.02 [.51]	MACHINED SURFACES	SIZE	DWG NO	SHEET																			
mm SHOWN IN [BRACKETS]			<small>125/3.2</small> <small>INCH/mm</small>	THIRD ANGLE PROJECTION 	A	1011717	1																			