

# PRODUCT INFORMATION PACKET



Model No: 669A

Catalog No: 669A

Fan Coil & Air Conditioner Motor, 1/10,1/15,1/25,1/35 HP, 1 Ph, 60 Hz, 115 V, 1075 RPM, 4 Speed,  
42 Frame, OAO



Regal and Century are trademarks of Regal Rexnord Corporation or one of its affiliated companies.  
©2024 Regal Rexnord Corporation, All Rights Reserved. MC017097E





**Nameplate Specifications**

Phase	1	Output HP	1/10,1/15,1/25,1/35 Hp
Voltage	115 V	Speed	1075 rpm
Service Factor	1.0	Frame	42
Enclosure	Open Air Over	Thermal Protection	Automatic
Ambient Temperature	40 °C	Frequency	60 Hz
Current	2.08,1.44,0.92,0.65 A	Duty	Continuous Air Over
Insulation Class	B	UL	Recognized
CSA	Y	CE	N
Number of Speeds	4		

**Technical Specifications**

Electrical Type	Permanent Split Capacitor	Starting Method	Across The Line
Poles	6	Rotation	Reversible
Mounting	Resilient Rings	Drive End Bearing	Ball
Opp Drive End Bearing	Ball	Frame Material	Rolled Steel
Shaft Type	Flat	Frame Length	3.58 in
Shaft Diameter	0.500 in	Shaft Extension	8.6 in
Outline Drawing	71870481R		

This is an uncontrolled document once printed or downloaded and is subject to change without notice. Date Created:07/03/2024

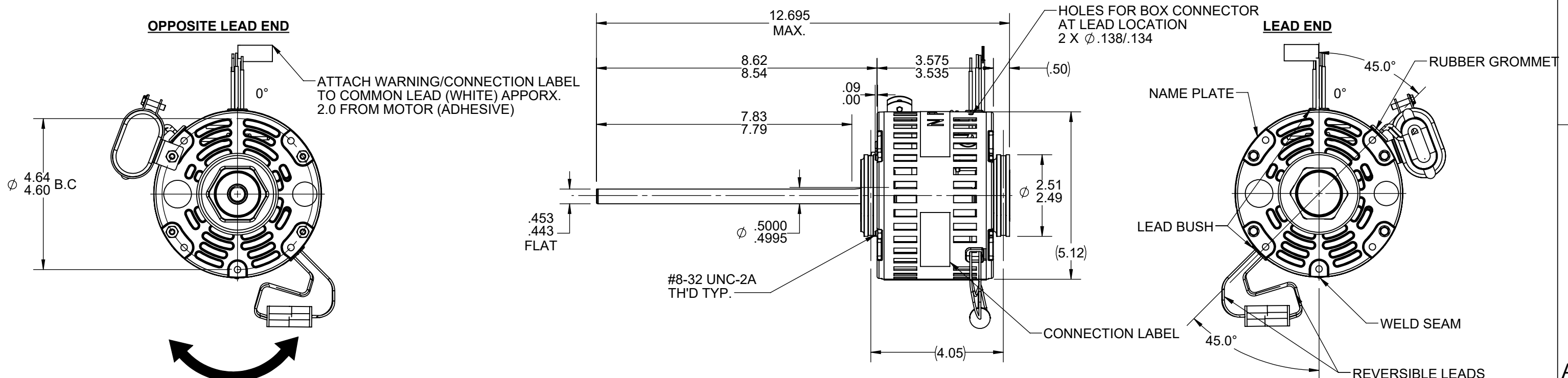
4				3			2			1	
S.NO	CONNECTION	COLOR	EXIT TYPE	EXIT LOC (VIEWING LE)	GAGE	MATERIAL	WALL THK.	LENGTH (+/-1.50)	TERMINATION	VENTILATION SYSTEM	
1	COMMON LEAD	WHITE	LEAD BUSH	12:00	18	EPDM	2/64	48.0	.50 BWS	SHELL VENTS	OPEN
2	CAPACITOR LEAD	BROWN	RUBBER GROMMET	1:30	18	EPDM	2/64	N/R	0.25 FQC	ENDSHIELD(OPP.LEAD END)	OPEN
3	CAPACITOR LEAD	BROWN	RUBBER GROMMET	1:30	18	EPDM	2/64	N/R	0.25 FQC	ENDSHIELD(LEAD END)	OPEN
4	HIGH SPEED LEAD	BLACK	LEAD BUSH	12:00	18	EPDM	2/64	48.0	.50 BWS		
5	MEDIUM HIGH SPEED LEAD	YELLOW	LEAD BUSH	12:00	18	EPDM	2/64	48.0	.50 BWS		
6	MEDIUM SPEED LEAD	BLUE	LEAD BUSH	12:00	18	EPDM	2/64	48.0	.50 BWS		
7	LOW SPEED LEAD	RED	LEAD BUSH	12:00	18	EPDM	2/64	48.0	.50 BWS		
8	REVERSIBLE LEAD	YELLOW	LEAD BUSH	7:30	18	XLPE	2/64	4.0	LYALL PLUG (MALE)		
9	REVERSIBLE LEAD	ORANGE									
10	REVERSIBLE LEAD	ORANGE	LEAD BUSH	7:30	18	XLPE	2/64	4.0	LYALL PLUG (FEMALE)		
11	REVERSIBLE LEAD	YELLOW									

B

B

A

A



- NOTE:
1. NAMEPLATE LABEL LOCATION: 315 ° -CENTER - READ FROM LE WITH RESPECT TO MOTOR ZERO
  2. MOTOR SHIPPED CONNECTED FOR CWLE ROTATION.
  3. OVERLOAD PROTECTOR : AUTOMATIC RESET (7AM036)

NAME PLATE DATA	
MODEL	71870481
CUST P/N	669A
HP	1/10-1/15-1/25-1/35
RPM	1075 (4 SPD)
VOLTS	115
HZ	60
SPEEDS	4
AMPS	2.08 1.44 0.92 0.65
CAP REQ D-1	5.0/370
CAP REQ D-1	N/R
CONN. DRW	NP24X350527
ROTATION	REVERSIBLE

CCWLE	PLUG IN YELLOW LEAD TO ORANGE LEAD
CWLE	PLUG IN ORANGE LEAD TO ORANGE LEAD

DRAWING REVISION	REVISION BY	REV DATE/© DATE
AB	Muralidar	6/12/2024
REQUEST NUMBER	APPROVED BY	DATE
ECR-0234702	Muralidar	6/12/2024
REQUEST NUMBER DESCRIPTION		
Added Box connector holes		
<small>COPYRIGHT (PER REVISION DATE) REGAL BELOIT AMERICA, INC. ALL RIGHTS RESERVED. PROPRIETARY AND CONFIDENTIAL INFORMATION - THIS DOCUMENT IS THE PROPERTY OF REGAL BELOIT AMERICA, INC. ("OWNER") AND CONTAINS OWNER'S PROPRIETARY INFORMATION. ANY PERSON, CORPORATION OR OTHER FIRM RECEIVING IT IS DEEMED, BY RECEIVING IT, TO AGREE THAT IT, AND/OR ANY PART OF IT, SHALL NOT BE DISCLOSED TO ANY PERSON, CORPORATION OR OTHER ENTITY, DUPLICATED, AND/OR USED, EXCEPT AS EXPRESSLY APPROVED IN WRITING IN ADVANCE BY OWNER. THIS DOCUMENT SHALL BE RETURNED TO OWNER UPON REQUEST. IT MAY BE SUBJECT TO CERTAIN RESTRICTIONS UNDER APPLICABLE EXPORT CONTROL LAWS AND REGULATIONS.</small>		

DRAWN BY	Muralidar		Regal Beloit America, Inc.	
DATE	5/18/2023		DESCRIPTION	
APPROVED BY	TSRK	<b>OUTLINE</b> CUSTOMER NAME: DISTRIBUTION SERVICES		
DATE	5/19/2023			
REFERENCE		MATERIAL	PROCESS/FINISH	
THIRD ANGLE PROJECTION		SIZE	DRAWING NUMBER	SHEET
	B		71870481R	1 OF 1

PRIMARY DIMENSIONS ARE INCH  
mm DIMENSIONS IN [BRACKETS]  
ARE FOR REFERENCE ONLY

4

3

2

1





**Motor Details**

**Model :** 71870481R

**General:**

Application : **CONDENSER FAN**  
 Phases : **1**  
 # of Speeds : **4**  
 Testspec : **82870481-1**  
 Horiz/Vertical : **HOR**  
 Shell Enclosure : **OPEN**  
 Endshield Enclosure : **OPEN**

**Nameplate Data:**

Horsepower : **1/10-1/15-1-25-1/35**  
 RPM : **1075 (4 SPD)**  
 Voltage : **115**  
 FL Amps : **2.08 1.44 0.92 0.65**  
 Capacitor 1mFd/V : **5.00/370**  
 Additional Information : **N/R**

**Miscellaneous:**

Fullload RPM - HI : **1080**  
 Poles : **6**  
 Rotation : **CCW/CW**  
 Thermal Protection :  
 Finish Color: **BLACK**

**OVERLOAD INFORMATION::**

Protector: **24A100514P11**  
 Catalog No: **7AM036A54838C**

**THERMAL CUT-OFF INFORMATION:**

TCO: **N/A**  
 Catalog No: **N/A**

**U.L.CONSTRUCTION FILES:**

Motor Construction: **E46035(excluding SME)**  
 Over Load : **E27885(excluding SME)**

**Shaft:**

PE Type : **FLAT**  
 PE Length : **8.58**  
 PE Diameter : **.5**  
 PE Flat Length : **7.81**

**Endshields:**

PE Material : **AL**  
 PE Hub Type : **STD**  
 PE Oiler : **N/R**  
 PE Oil Plug : **N/R**  
 PE Mounting Holes : **N/R**

**Bearings:**

PE Bearing Type : **BALL**  
 Bearing Protection : **No**

**Mounting:**

Base : **N/R**  
 Clamp Screw : **Yes**

**Extended Clamp Screws:**

PE Pattern :  
 PE Length : **0.09**  
 PE Nut Qty : **0**  
 Head End : **OPE**  
 Nut Thickness : **N/R**

**Lead & Cord :**

Lead End : **OPE**  
 Lead Exit H/W : **NYLON GROMMET**  
 Lead Exit H/W Orient. : **N/R**  
 Conductor ID : **COMM-FIXED LINE**  
 Exit : **12:00 - NYLON GROMMET**  
 Color : **WHITE**  
 Termination : **.50 BWS**  
 Conductor ID : **CAPACITOR**  
 Exit : **1:40 - GROMMET**  
 Color : **BROWN**  
 Termination : **.25 FQC**  
 Conductor ID : **CAPACITOR**  
 Exit : **1:40 - GROMMET**  
 Color : **BROWN**

**Catalog Number :**

Motor Category : **COMPLETE MOTOR**  
 Production Status : **PROD**  
 Stock Status :  
 Approved For Sale :  
 Restricted Model :  
 Customer : **DISTRIBUTION SERVICES**  
 Customer Part# : **669A**

GE Type : **KCP**  
 Time Rating : **AO**  
 Frequency : **60**  
 Insulation Class: **B**  
 Capacitor 2mFd/V : **N/R**

GE Frame : **42**  
 Shell Length : **3.125**  
 Drains : **N**  
 Est. Weight : **-10**  
 Capacitor By : **RBC**

Overload Temp : **150/140**  
 Vendor Name: **TEXAS INSTRUMENTS**

Overload Temp : **N/A**  
 Vendor Name: **N/A**

Class B Insulation : **E306343(excluding SME)**  
 CSA(REY) : **MC236833(excluding SME)**

OPE Type : **N/R**  
 OPE Length : **0**  
 OPE Diameter : **0**  
 OPE Flat Length : **0**

OPE Material : **AL**  
 OPE Hub Type : **STD**  
 OPE Oiler : **N/R**  
 OPE Oil Plug : **N/R**  
 OPE Mounting Holes : **N/R**

OPE Bearing Type : **BALL**  
 Rohs Compliant : **No**

Lug : **N/R**  
 Weld Screw : **No**

OPE Pattern :  
 OPE Length : **0.00**  
 OPE Nut Qty : **0**  
 Screw Size : **#8**

Lead Type : **SINGLE COND**  
 Lead Harness Desc : **N/R**

Length : **48**  
 Mat'l Spec : **18 2/64 EPDM**  
 Slot ID : **N/R**

Length : **0**  
 Mat'l Spec : **18 2/64 EPDM**  
 Slot ID : **N/R**

Length : **0**  
 Mat'l Spec : **18 2/64 EPDM**

Termination :	<b>.25 FQC</b>	Slot ID :	<b>N/R</b>
Conductor ID :	<b>HI</b>		
Exit :	<b>12:00 - NYLON GROMMET</b>	Length :	<b>48</b>
Color :	<b>BLACK</b>	Mat'l Spec :	<b>18 2/64 EPDM</b>
Termination :	<b>.50 BWS</b>	Slot ID :	<b>N/R</b>
Conductor ID :	<b>MED-LO</b>		
Exit :	<b>12:00 - NYLON GROMMET</b>	Length :	<b>48</b>
Color :	<b>BLUE</b>	Mat'l Spec :	<b>18 2/64 EPDM</b>
Termination :	<b>.50 BWS</b>	Slot ID :	<b>N/R</b>
Conductor ID :	<b>LOW</b>		
Exit :	<b>12:00 - NYLON GROMMET</b>	Length :	<b>48</b>
Color :	<b>RED</b>	Mat'l Spec :	<b>18 2/64 EPDM</b>
Termination :	<b>.50 BWS</b>	Slot ID :	<b>N/R</b>
Conductor ID :	<b>MED-HI</b>		
Exit :	<b>12:00 - NYLON GROMMET</b>	Length :	<b>48</b>
Color :	<b>YELLOW</b>	Mat'l Spec :	<b>18 2/64 EPDM</b>
Termination :	<b>.50 BWS</b>	Slot ID :	<b>N/R</b>

**Note :** Exit position is viewed from the Lead End with the Shell Weld at 6:00.

**Grounding :**

Type :	<b>N/R</b>	Location :	<b>N/R</b> viewed from <b>N/R</b> with Oil boss at 12:00
Exit Type :	<b>N/R</b>	AWG Size :	<b>0</b>
Length :	<b>N/R</b>	Color :	<b>N/R</b>
Terminal :	<b>N/R</b>	Ins.Material & Thickness	<b>N/R N/R</b>

**Diagrams and Dimensions :**

Outline Drawing :	<b>71870481R</b>	C-Dimension :	<b>12.69</b>
Connection Diagram :	<b>24B200217 Fig# 2</b>	Connection Label :	<b>NP24X350527</b>

**Notes :**

**This document is the property of the Regal Beloit Company containing proprietary and confidential information.**

Date of last revision : **06-DEC-23**

