

# PRODUCT INFORMATION PACKET



Model No: 668A  
Catalog No: 668A  
3/4 HP Condenser Fan Motor, 1075 RPM, 208-230 Volts, 48 Frame, TEAO  
Condenser Fans Motors



Regal and Century are trademarks of Regal Rexnord Corporation or one of its affiliated companies.  
©2021 Regal Rexnord Corporation, All Rights Reserved. MC017097E





**Nameplate Specifications**

Output HP	<b>3/4 Hp</b>	Output KW	<b>0.56 kW</b>
Frequency	<b>60 Hz</b>	Voltage	<b>208-230 V</b>
Current	<b>4.1 A</b>	Speed	<b>1075 rpm</b>
Service Factor	<b>1</b>	Phase	<b>1</b>
Duty	<b>Air Over</b>	Insulation Class	<b>B</b>
Frame	<b>F48Y</b>	Enclosure	<b>Totally Enclosed</b>
Thermal Protection	<b>Automatic</b>	Ambient Temperature	<b>60 °C</b>
UL	<b>Recognized</b>	CSA	<b>Y</b>
CE	<b>N</b>	Number of Speeds	<b>1</b>

**Technical Specifications**

Electrical Type	<b>Permanent Split Capacitor</b>	Starting Method	<b>Across The Line</b>
Poles	<b>6</b>	Rotation	<b>Reversible</b>
Mounting	<b>Extended Studs</b>	Motor Orientation	<b>Any</b>
Drive End Bearing	<b>Ball</b>	Opp Drive End Bearing	<b>Ball</b>
Frame Material	<b>Rolled Steel</b>	Shaft Type	<b>Double Flat</b>
Overall Length	<b>12.72 in</b>	Frame Length	<b>5.25 in</b>
Shaft Diameter	<b>0.500 in</b>	Shaft Extension	<b>5.98 in</b>
Connection Drawing	<b>614131-242</b>	Outline Drawing	<b>668A-S01</b>

This is an uncontrolled document once printed or downloaded and is subject to change without notice. Date Created:10/07/2021

4

3

2

1

总技术要求:

轴跳动:

轴承:

安装位置:

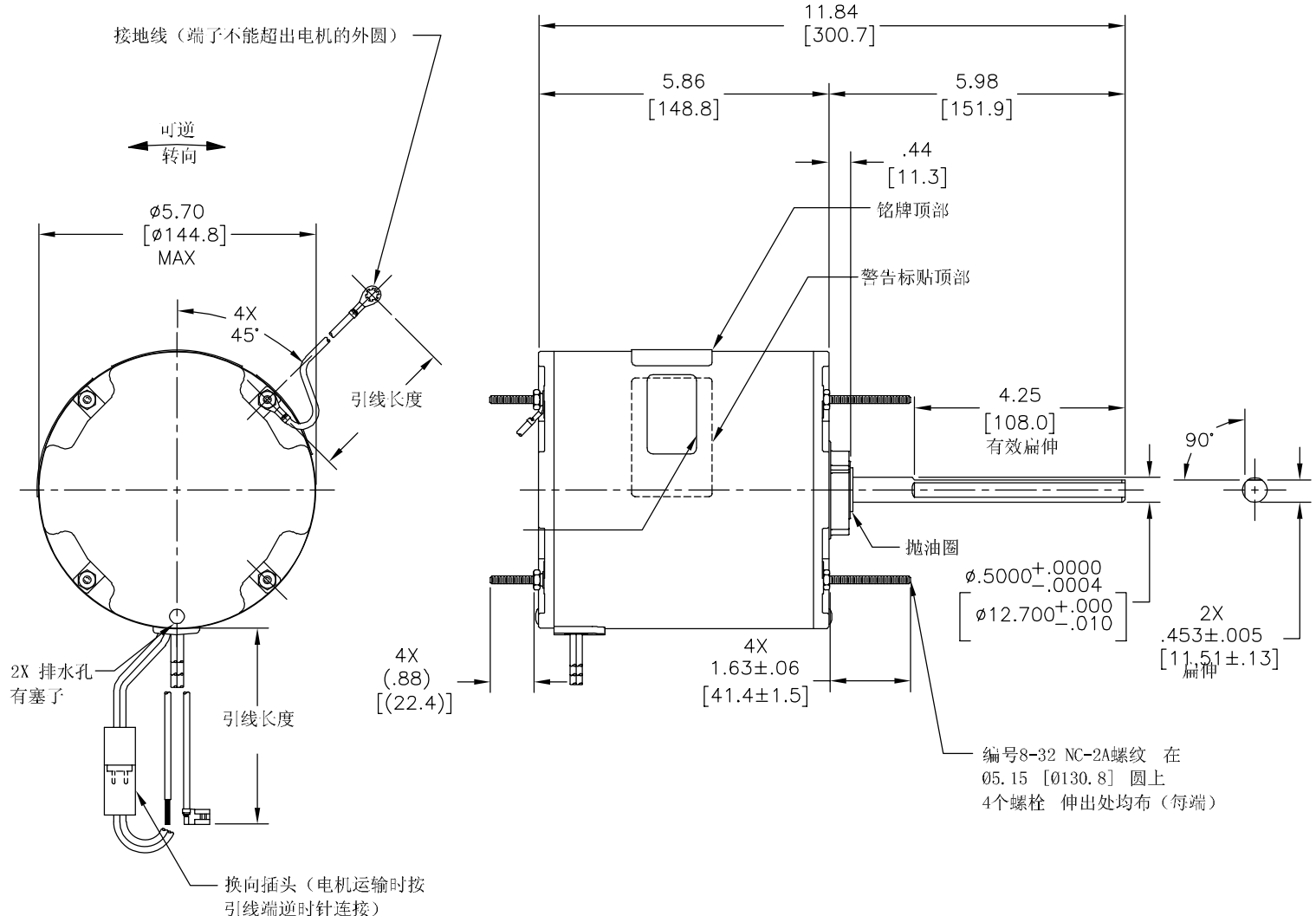
电气数据:

过载保护:

引线:

接地线:

版本	ECO	编制	日期	批准	日期
C	0032542	F.NAVARRO	04-25-2013	T.REYES	04-25-2013



颜色	长度	端子或剥线长度
绿 (接地线)	11.0/13.0 [279/330]	#10金属圈
	3.0/5.0 [76/127]	
	25.0/27.0 [635/686]	
	25.0/27.0 [635/686]	
	25.0/27.0 [635/686]	
	25.0/27.0 [635/686]	
	25.0/27.0 [635/686]	
	25.0/27.0 [635/686]	

铭牌数据	外部数据线
MODEL NO.: F48Y68A01 CUST. P/N: 668A HP: 3/4 ROT.: REVERSIBLE RPM: 1075 TYPE: UF FRAME: 48Y VOLTS: 208-230 PH: 1 AMPS: 4.1 HZ: 60 INS.: B AMB.: 60° C DUTY: AIR COVER CAP.: 15 MFD/370 V ENCL: ENCLOSED UL LOGO CSA LOGO THERMALLY PROTECTED	SEP. CAP. BROWN BRN/WHT WHITE BLACK LINE ROTATION BLACK BLACK WHITE WHITE CCWLE BLACK WHITE WHITE BLACK CWLE 614131-242

性能曲线编号	转矩在 @ --- RPM (25° C)	批准样品	UL部件		CSA	
C32644	70.9 OZ. FT.	0601395A	文件号	指南	文件号	指南
			E46412	PRGY2	LR43341	4211-01

形位公差 □ 平面度 — 直线度 < 倾斜度 ⊥ 垂直度 // 平行度 ○ 圆度 ⊙ 圆柱度 △ 面轮廓度 ⊖ 线轮廓度 ↗ 圆跳动 ⊕ 位置度 ⊙ 同轴度 ≡ 对称度	REGAL-BELOIT CORPORATION (RBC) 在个别领域为客户提供技术支持。鉴于RBC未收到任何涉及电机使用和应用环境的数据，电机的适用性由客户自己决定。  未注公差尺寸仅供参考。
---	--

绘图: J.RUPERT 批准: J.RUPERT 第三角投影	05-12-2011 05-12-2011 图纸格式发布日期 11-11-2011 图纸格式版本 H
机密: 本图纸及相关信息所有权归REGAL-BELOIT CORPORATION。未经REGAL-BELOIT CORPORATION书面授权, 不得泄露、复制、传播或作其他用途。—版权所有	

无引线端机壳	
无引线端端盖	
有引线端机壳	
有引线端端盖	
密封性	
用户	DISTRIBUTION SERVICE

REGAL-BELOIT CORPORATION	
名称	
MODEL-CFHP-48FR OUTLINE	
图幅	图号
C	668A
比例	页号
NONE	1

4

3

2

1

4

3

2

1

REV	ECO	REV BY	DATE	APPD	DATE
C	0032542	F.NAVARRO	04-25-2013	T.REYES	04-25-2013

GENERAL INFORMATION:

SHAFT RUNOUT: .001[.03] T.I.R. PER INCH LENGTH OF EXTENSION

BEARINGS: BALL

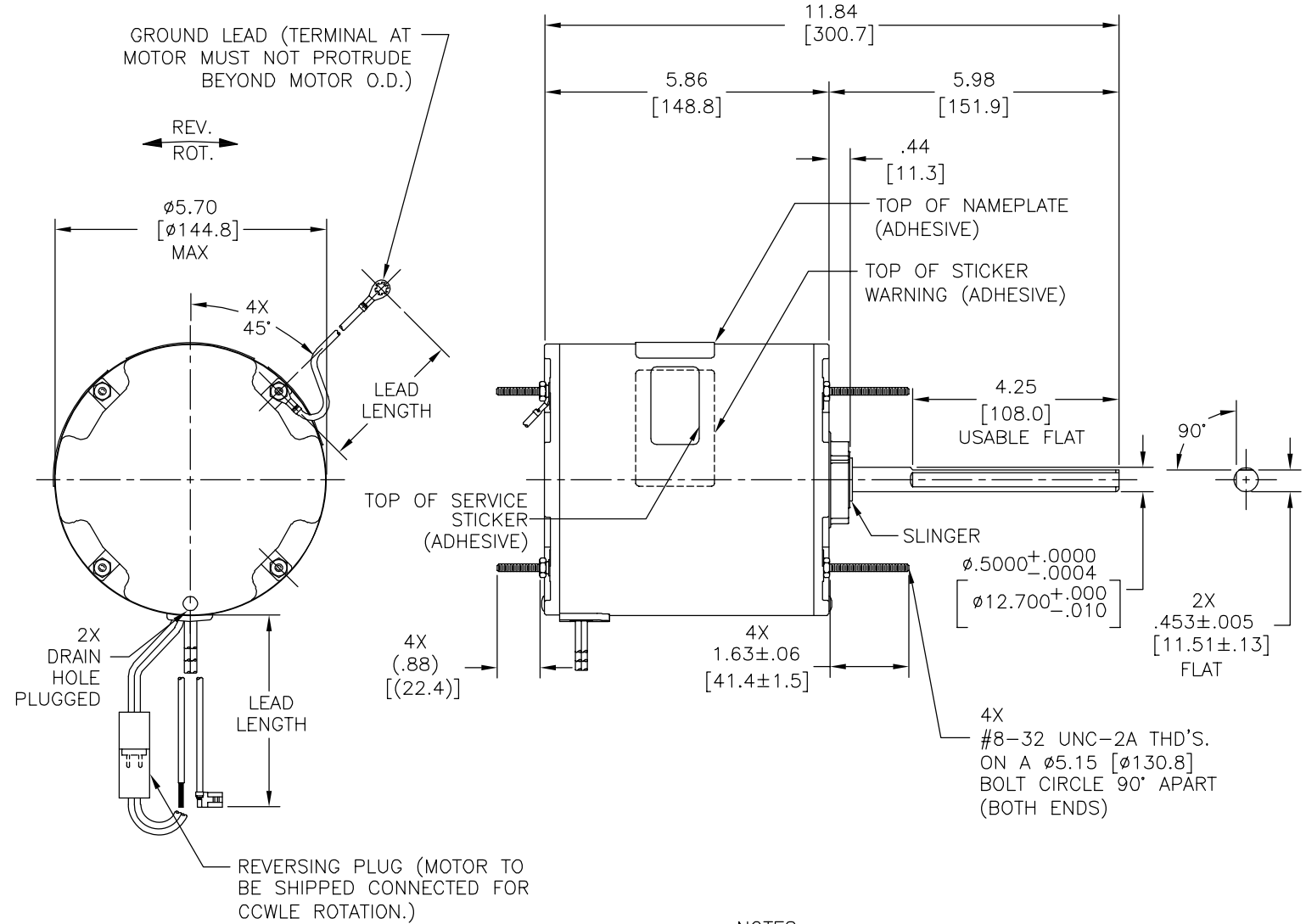
MOUNTING POSITION: ALL ANGLE

ELECTRICAL DATA:

OVERLOAD PROTECTOR: AUTOMATIC RESET (SENSATA 7AM 036)

LEADS: NO. 18 GA., .03[.8] THK. XLP 125°C INSUL.

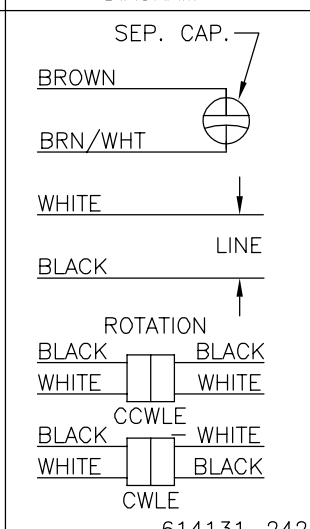
GROUND LEAD: NO. 18 GA., .03[8] THK. (GREEN/YELLOW) INSUL.



NAMEPLATE DATA:

EXTERNAL CONNECTION DIAGRAM

MODEL NO.: F48Y68A01  
 CUST. P/N: 668A  
 HP: 3/4  
 ROT.: REVERSIBLE  
 RPM: 1075  
 TYPE: UF  
 FRAME: 48Y  
 VOLTS: 208-230  
 PH: 1  
 AMPS: 4.1  
 HZ: 60  
 INS.: B  
 AMB.: 60° C  
 DUTY: AIR COVER  
 CAP.: 15 MFD/370 V  
 ENCL: ENCLOSED  
 UL LOGO  
 CSA LOGO  
 THERMALLY PROTECTED



GREEN (GROUND)	11.0/13.0 [279/330]	#10 EYELET
BLACK/WHITE	3.0/5.0 [76/127]	REVERSING PLUG
BROWN	25.0/27.0 [635/686]	.25[6.4] FLAG
BROWN/WHITE	25.0/27.0 [635/686]	.25[6.4] FLAG
WHITE	25.0/27.0 [635/686]	.50[12.7] SKIN
BLACK	25.0/27.0 [635/686]	.50[12.7] SKIN
COLOR	LENGTH	TERMINAL OR STRIP LENGTH

- NOTES:
- (4) LOCKWASHERS 101236-006
  - (1) MOUNTING RING 31D2915P01
  - (8) HEX NUTS 368C210H05
  - (4) SPLIT RING ADAPTORS 53P26-1
  - (1) MOUNTING RING 614664-001
  - (1) MOUNTING BRACKET 621234
  - (1) INSTRUCTION SHEET 80700 TO BE PUT IN POLY BAGS A PACKED SEPARATE WITH EACH MOTOR.

PERFORMANCE CURVE NO.	TORQUE @ 1075 RPM (25°C)	APPROVED SAMPLE	UL COMPONENT FILE #	CCN #	CSA FILE #	CLASS #
C32644	70.9 OZ. FT.	0601395A	E46412	PRGY2	LR43341	4211-01

MAIN FRAME - OLE	ENCLOSED
END FRAME - OLE	ENCLOSED
MAIN FRAME - LE	ENCLOSED
END FRAME - LE	ENCLOSED

CUSTOMER	DISTRIBUTION SERVICE
----------	----------------------

GEOMETRIC CHARACTERISTICS & SYMBOLS

- FLATNESS
- STRAIGHTNESS
- ANGULARITY
- PERPENDICULARITY (SQUARENESS)
- PARALLELISM
- ROUNDNESS (CIRCULARITY)
- CYLINDRICITY
- PROFILE OF ANY SURFACE
- PROFILE OF ANY LINE
- RUNOUT
- TRUE POSITION
- CONCENTRICITY
- SYMMETRY

ASME Y14.5M 1994

REGAL-BELOIT CORPORATION (RBC) PROVIDES TECHNICAL ASSISTANCE TO OUR CUSTOMERS IN SEVERAL AREAS. SINCE RBC DOES NOT RECEIVE ALL DATA CONCERNING THE USE AND APPLICATION OF THE MOTOR, THE SUITABILITY OF THE MOTOR FOR THE APPLICATION MUST BE DETERMINED BY THE CUSTOMER.

DIMENSIONS WITHOUT TOLERANCES ARE FOR REFERENCE ONLY.

DR BY: J.RUPERT 05-12-2011

APPD: J.RUPERT 05-12-2011

THIRD ANGLE PROJECTION

EDS DATE 11-11-2011  
 FORMAT REV H

CONFIDENTIAL: THIS DRAWING AND ITS INFORMATION ARE THE EXCLUSIVE AND CONFIDENTIAL PROPERTY OF REGAL-BELOIT CORPORATION AND ARE NOT TO BE DISCLOSED, DUPLICATED, DISTRIBUTED OR OTHERWISE USED WITHOUT THE WRITTEN CONSENT OF REGAL-BELOIT CORPORATION. -ALL RIGHTS RESERVED.

**REGAL** REGAL-BELOIT CORPORATION

DESCRIPTION: MODEL-CFHP-48FR OUTLINE

SIZE: C DWG NO: 668A

SCALE: NONE SHEET: 1

4

3

2

1

4

3

2

1

REVISION:	ECO	REVISADO POR:	FECHA:	APROBADO POR:	FECHA:
C	0032542	F.NAVARRO	04-25-2013	T.REYES	04-25-2013

**INFORMACION GENERAL:**

OSCILACION DE FLECHA: .001[.03] L.T.I. POR PULGADA DE EXTENSION

BALEROS: BALINES

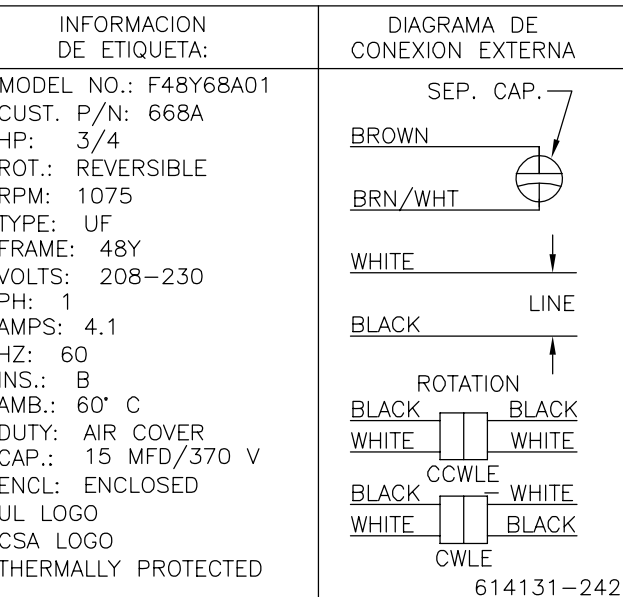
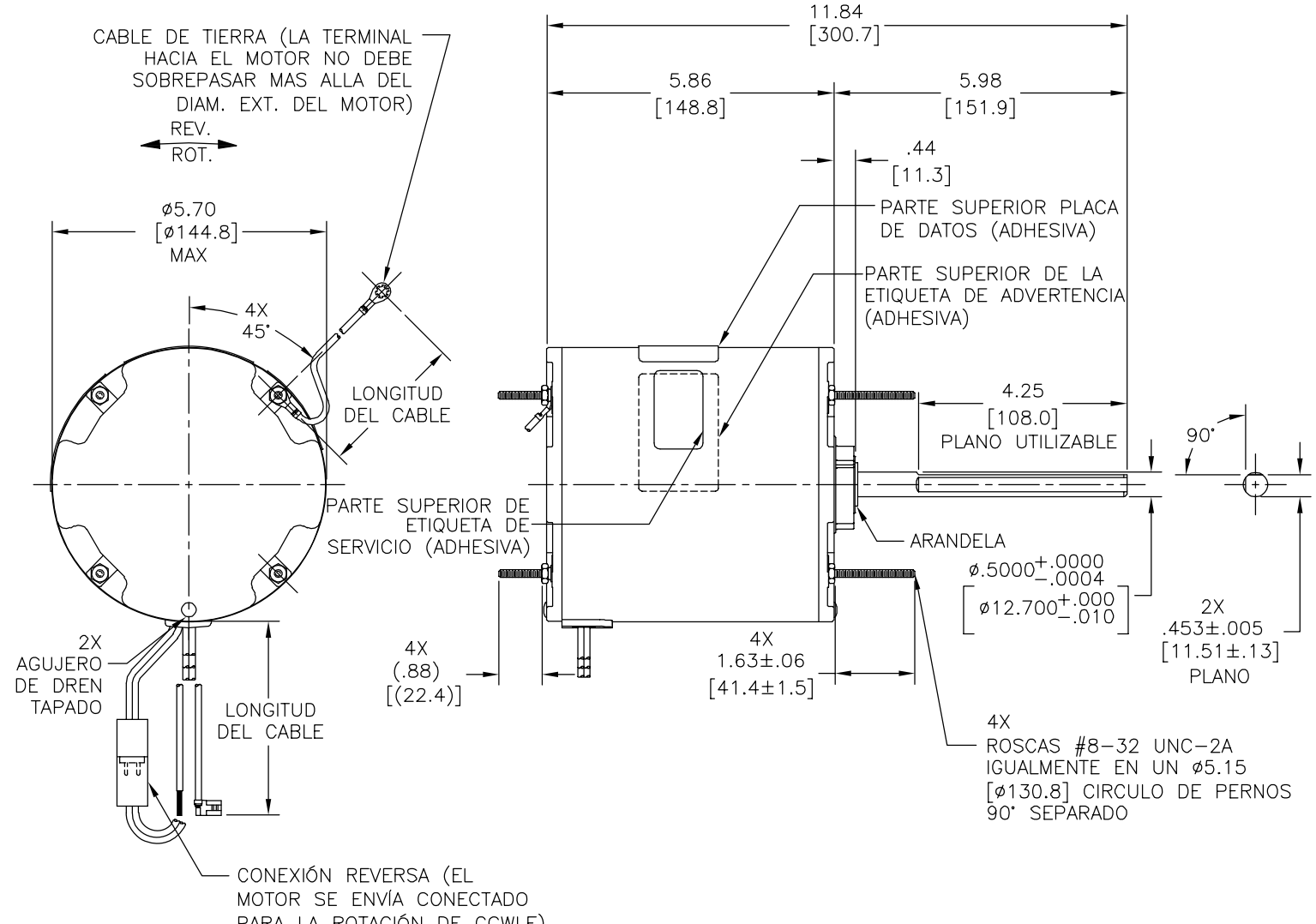
POSICION DEL MONTAJE: TODOS LOS ANGULOS

**INFORMACION ELECTRICA:**

PROTECTOR DE SOBRECARGA: REINICIO AUTOMATICO (SENSATA 7AM 036)

CABLES: NO. 18 GA., .03[.8] ESPESOR DE AISLANTE XLP 125°C.

CABLE DE TIERRA: NO. 18 GA., .03[.8] ESPESOR (VERDE/AMARILLO) AISLANTE.



VERDE (TIERRA)	11.0/13.0 [279/330]	OJAL #10
NEGRO/BLANCO	3.0/5.0 [76/127]	CONEXION REVERSIBLE
CAFE	25.0/27.0 [635/686]	.25[6.4] BANDERA
CAFE/BLANCO	25.0/27.0 [635/686]	.25[6.4] BANDERA
BLANCO	25.0/27.0 [635/686]	.50[12.7] DESFORRE
NEGRO	25.0/27.0 [635/686]	.50[12.7] DESFORRE
COLOR	LONGITUD	TERMINAL O LONGITUD DE DESFORRE

- NOTAS:
- (4) ARANDELA DE PRESION 101236-006
  - (1) ANILLO DE MONTAJE 31D2915P01
  - (8) TUERCA EXAGONAL 368C210H05
  - (4) ANILLO ADAPTADOR CON RANURA 53P26-1
  - (1) ANILLO DE MONTAJE 614664-001
  - (1) TAPA DE MONTAJE 621234
  - (1) HOJA DE INSTRUCCIONES 80700
- DEBEN SER PUESTAS EN BOLSAS DE POLIETILENO EMPACADAS CON CADA MOTOR.

CARCASA - LOC	CERRADO	CLIENTE	DISTRIBUTION SERVICE
TAPA - LOC	CERRADO		
CARCASA - LC	CERRADO		
TAPA - LC	CERRADO		

CURVAS DE FUNCIONAMIENTO	TORSION @ 1075 RPM (25°C)	MUESTRA APROBADA	COMPONENTE UL	CSA
C32644	70.9 OZ. FT.	0601395A	#ARCHIVO PRGY2 LR43341	CLASE # 4211-01

**CARACTERISTICAS DE GEOMETRIA Y SIMBOLOS**

- PLANICIDAD
- RECTITUD
- ANGULARIDAD
- PERPENDICULARIDAD (A ESCUADRA)
- PARALELISMO
- REDONDEZ (CIRCULARIDAD)
- CILINDRICIDAD
- PERFIL DE CUALQUIER SUPERFICIE
- PERFIL DE CUALQUIER LINEA
- VARIACION
- POSICION REAL
- CONCENTRICIDAD
- SIMETRIA

ASME Y14.5M 1994

REGAL-BELOIT CORPORATION (RBC) PROVEE ASISTENCIA TECNICA A NUESTROS CLIENTES EN VARIAS AREAS, DESDE QUE RBC NO RECIBE TODOS LOS DATOS EN RELACION AL USO Y A LA APLICACION DEL MOTOR, LA APLICACION ADECUADA DEL MOTOR DEBE SER DETERMINADA POR EL CLIENTE.

DIMENSIONES SIN TOLERANCIA SON DE REFERENCIA SOLAMENTE

DIBUJADO POR: J.RUPERT 05-12-2011

APROBADO POR: J.RUPERT 05-12-2011

TERCER ANGULO DE PROYECCION

FECHA EDS: 11-11-2011

REV. FORMATO: H

CONFIDENCIAL: ESTE DIBUJO Y SU INFORMACION SON PROPIEDAD DE USO EXCLUSIVO Y CONFIDENCIAL DE REGAL-BELOIT CORPORATION. Y NO DEBERAN SER REVELADOS, DUPLICADOS, DISTRIBUIDOS O USARSE DE OTRA MANERA SIN EL CONSENTIMIENTO ESCRITO DE REGAL-BELOIT CORPORATION. -TODOS LOS DERECHOS RESERVADOS.

**REGAL REGAL-BELOIT CORPORATION**

DESCRIPCION: MODEL-CFHP-48FR OUTLINE

TAMAÑO: C NUMERO DE DIBUJO: 668A

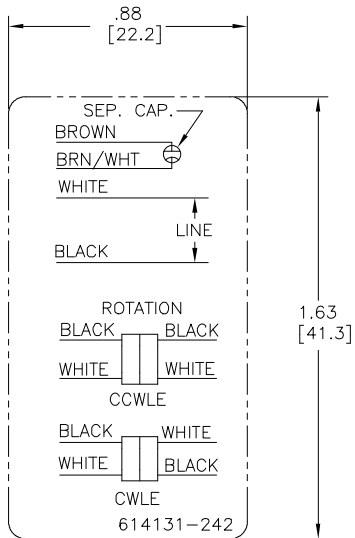
ESCALA: NONE HOJA: 1

4

3


2

1



## NOTES:

- FOR USE WITH 614129 NAMEPLATE BLANK
- INDICATES DIMENSION LIMITS
- DIE TO BE MADE FROM MASTER SUPPLIED BY A. O. SMITH CORPORATION
- DIE MUST PRODUCE A LEGIBLE IMPRESSION.

DRAWING REVISION E	REVISION BY J. RUPERT	DATE 04-15-2021	TOLERANCES UNLESS OTHERWISE SPECIFIED			DRAWN BY: YL	 Regal Beloit America, Inc.		
ECD NMR-0208134	APPROVED BY J. RUPERT	DATE 04-15-2021	DEC.	INCH	mm	ANGLE		DESCRIPTION	
ECO DESCRIPTION UP ISSUED			.X	±0.1	[±2.5]	±0.5°	CONNECTION DIAGRAM EXTERNAL		
<small>COPYRIGHT REGAL BELOIT AMERICA, INC. ALL RIGHTS RESERVED.          PROPRIETARY AND CONFIDENTIAL INFORMATION - THIS DOCUMENT IS THE PROPERTY OF          REGAL BELOIT AMERICA, INC. ("OWNER") AND CONTAINS OWNER'S PROPRIETARY          INFORMATION. ANY PERSON, CORPORATION OR OTHER FIRM RECEIVING IT IS DEEMED          BY RECEIVING IT, TO AGREE THAT IT, AND/OR ANY PART OF IT, SHALL NOT BE DISCLOSED          TO ANY PERSON, CORPORATION OR OTHER ENTITY, DUPLICATED, AND/OR USED, EXCEPT          AS EXPRESSLY APPROVED IN WRITING IN ADVANCE BY OWNER. THIS DOCUMENT SHALL          BE RETURNED TO OWNER UPON REQUEST. IT MAY BE SUBJECT TO CERTAIN          RESTRICTIONS UNDER APPLICABLE EXPORT CONTROL LAWS AND REGULATIONS.</small>			.XX	±0.02	[±0.51]		MATERIAL	PROCESS/FINISH	
			.XXX	±0.005	[±0.127]		REFERENCE		
			.XXXX	±0.0005	[±0.0127]		SIZE	DWG NO	SHEET
			REMOVE BURRS & BREAK SHARP EDGES .003/.015 [0.076/.381] X 45° CORNER FILLETS R.02 [5.1]			THIRD ANGLE PROJECTION	A	614131-242	1
			MACHINED SURFACE: $6 \pm .006$ mm $3.2$ mm SHOWN IN [BRACKETS]						