

PRODUCT INFORMATION PACKET



Model No: 666A
Catalog No: 666A

Condenser Fan Motor, 1/2 HP, 1 Ph, 60 Hz, 208-230 V, 1625 RPM, 1 Speed, 48 Frame, SEMI ENCLOSED



Regal and Century are trademarks of Regal Rexnord Corporation or one of its affiliated companies.
©2023 Regal Rexnord Corporation, All Rights Reserved. MC017097E





Nameplate Specifications

Output HP	1/2 Hp	Output KW	0.37 kW
Frequency	60 Hz	Voltage	208-230 V
Current	3.9 A	Speed	1625 rpm
Service Factor	1	Phase	1
Duty	Air Over	Insulation Class	B
Frame	F48Y	Enclosure	Semi Enclosed
Thermal Protection	Automatic	Ambient Temperature	60 °C
UL	Recognized	CSA	Y
CE	N	Number of Speeds	1

Technical Specifications

Electrical Type	Permanent Split Capacitor	Starting Method	Across The Line
Poles	4	Rotation	Reversible
Mounting	Extended Studs	Motor Orientation	Any
Drive End Bearing	Ball	Opp Drive End Bearing	Ball
Frame Material	Rolled Steel	Shaft Type	Double Flat
Overall Length	11.38 in	Frame Length	4.25 in
Shaft Diameter	0.500 in	Shaft Extension	6.02 in
Connection Drawing	614131-242	Outline Drawing	666A-S01

This is an uncontrolled document once printed or downloaded and is subject to change without notice. Date Created:02/16/2023

GENERAL INFORMATION:

SHAFT RUNOUT: .001 [.03] T.I.R. PER INCH LENGTH OF EXTENSION

BEARINGS: BALL

MOUNTING POSITION: ALL ANGLE

ELECTRICAL DATA:

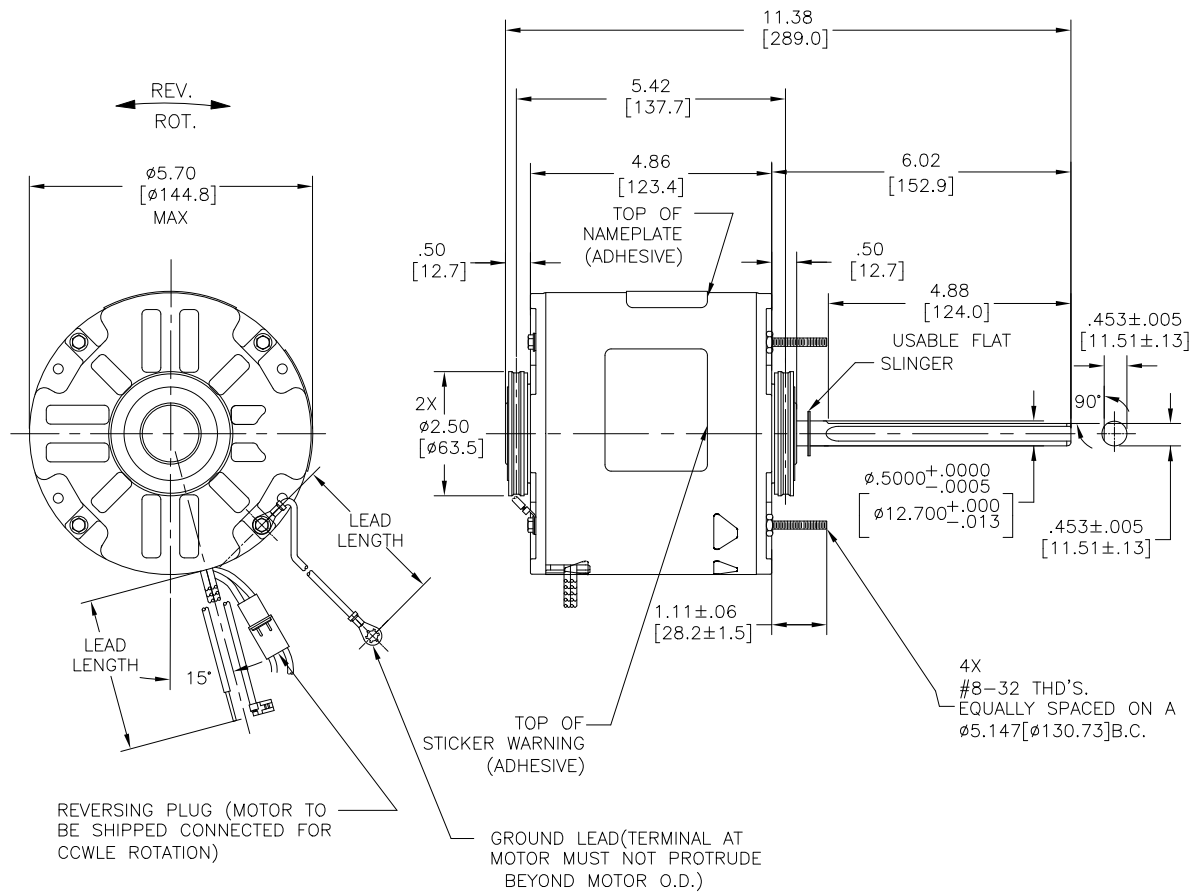
OVERLOAD PROTECTOR: AUTOMATIC RESET (SENSATA 7AM 036)

LEADS: NO. 18 GA., .03 [.8] THK. 125°C INSUL.

REVERSING LEADS: NO. 18 GA., .03 [.8] THK. 125°C INSUL.

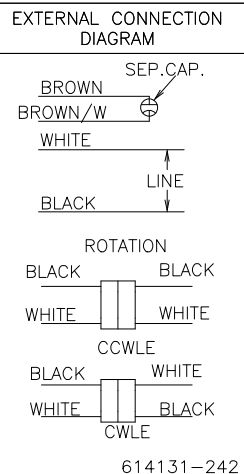
GROUND LEAD: NO. 18 GA., .03 [.8] THK. GREEN/YELLOW INSUL.

NOTES:
 1. THE SYMBOL OF CTQ: ▲ (NO CTQ ON THIS DRAWING)
 2. MEET THE REQUIREMENT OF ROHS AND REACH: SEE EP000014_5.1



NAMEPLATE DATA:

MODEL NO.: F48Y63A01
 CUST. P/N: 666A
 HP: 1/2
 ROT.: REVERSIBLE
 RPM: 1625
 TYPE: UF
 FRAME: 48Y
 VOLTS: 208-230
 PH: 1
 AMPS: 3.9
 HZ: 60
 INS.: B
 AMB.: 60°C
 DUTY: AIR OVER
 CAP.: 5MFD/370V
 ENCL: SEMI-ENCL
 UL LOGO
 CSA LOGO
 THERMALLY PROTECTED



GRN/YEL (GRD)	11.0/13.0 [279/330]	#10 EYELET
BLACK/WHITE	5.0/7.0 [127/178]	REVERSING PLUG (MALE)
BLACK/WHITE	5.0/7.0 [127/178]	REVERSING PLUG (FEMALE)
BROWN	35.0/37.0 [889/940]	.25 [6.4] FLAG
BROWN/WHITE	35.0/37.0 [889/940]	.25 [6.4] FLAG
BLACK	35.0/37.0 [889/940]	.50 [12.7] SKIN
WHITE	35.0/37.0 [889/940]	.50 [12.7] SKIN
COLOR	LENGTH	TERMINAL OR STRIP LENGTH

REGAL-BELOIT CORPORATION (RBC) PROVIDES TECHNICAL ASSISTANCE TO OUR CUSTOMERS IN SEVERAL AREAS. SINCE RBC DOES NOT RECEIVE ALL DATA CONCERNING THE USE AND APPLICATION OF THE MOTOR, THE SUITABILITY OF THE MOTOR FOR THE APPLICATION MUST BE DETERMINED BY THE CUSTOMER.

DIMENSIONS WITHOUT TOLERANCES ARE FOR REFERENCE ONLY.

MAIN FRAME - OLE	SEMI-ENCLOSED
END FRAME - OLE	ENCLOSED
MAIN FRAME - LE	SEMI-ENCLOSED
END FRAME - LE	OPEN

PERFORMANCE CURVE NO.	TORQUE @ 1625 RPM (25°C)	APPROVED SAMPLE	UL COMPONENT	CSA
C32643	39.9 OZ. FT.	0600549A	E46412 PRGY2	FILE # LR43341 CLASS # 4211-01

LEAD DATA

DRAWING REVISION	REVISION BY	DATE
E	J. RUPERT	08-09-2021
ECO	APPROVED BY	DATE
ECR-0209904	J. RUPERT	08-09-2021
ECO DESCRIPTION		
REMOVED SPANISH NAMEPLATE		

COPYRIGHT REGAL-BELOIT AMERICA, INC. ALL RIGHTS RESERVED. REGAL-BELOIT AMERICA, INC. (OWNER) AND COMPANY'S PROPRIETARY INFORMATION. ANY PERSON, CORPORATION OR OTHER ENTITY, DUPLICATION, AND/OR REUSE, EXCEPT AS EXPRESSLY APPROVED IN WRITING IN ADVANCE BY OWNER, THIS DOCUMENT SHALL BE RETURNED TO OWNER UPON REQUEST. IT MAY BE SUBJECT TO CERTAIN RESTRICTIONS UNDER APPLICABLE EXPORT CONTROL LAWS AND REGULATIONS.

ENCLOSURE

DRAWN BY:	DZ	DATE:	10-02-2010	APPROVED BY:	TW	DATE:	12-02-2010
REFERENCE:	THIRD ANGLE PROJECTION	SIZE	C	DWG NO	666A	SHEET	1

REGAL Regal Beloit America, Inc.

DESCRIPTION: MODEL-RFHP-48FR OUTLINE

MATERIAL: - PROCESS/FINISH: -



NOTES:

1. FOR USE WITH 614129 NAMEPLATE BLANK
2. — — — — — INDICATES DIMENSION LIMITS
3. DIE TO BE MADE FROM MASTER SUPPLIED BY REGAL REXNORD CORPORATION
4. DIE MUST PRODUCE A LEGIBLE IMPRESSION.

DRAWING REVISION H	REVISION BY J. RUPERT	DATE 03-16-2022
ECO NMR-0213140	APPROVED BY J. RUPERT	DATE 03-16-2022

ECO DESCRIPTION
REVISED FOR UP ISSUED

COPYRIGHT REGAL BELOIT AMERICA, INC. ALL RIGHTS RESERVED. PROPRIETARY AND CONFIDENTIAL INFORMATION - THIS DOCUMENT IS THE PROPERTY OF REGAL BELOIT AMERICA, INC. ("OWNER") AND CONTAINS OWNER'S PROPRIETARY INFORMATION. ANY PERSON, CORPORATION OR OTHER FIRM RECEIVING IT IS DEEMED, BY RECEIVING IT, TO AGREE THAT IT, AND/OR ANY PART OF IT, SHALL NOT BE DISCLOSED TO ANY PERSON, CORPORATION OR OTHER ENTITY, DUPLICATED, AND/OR USED, EXCEPT AS EXPRESSLY APPROVED IN WRITING IN ADVANCE BY OWNER. THIS DOCUMENT SHALL BE RETURNED TO OWNER UPON REQUEST. IT MAY BE SUBJECT TO CERTAIN RESTRICTIONS UNDER APPLICABLE EXPORT CONTROL LAWS AND REGULATIONS.

TOLERANCES UNLESS OTHERWISE SPECIFIED			
DEC.	INCH	mm	ANGLE
.X	±0.1	[±2.5]	±0.5°
.XX	±0.02	[±0.51]	
.XXX	±0.005	[±0.127]	
.XXXX	±0.0005	[±0.0127]	
REMOVE BURRS & BREAK SHARP EDGES .003/.015 [0.076/.381] X 45°			
CORNER FILLETS R.02 [51]			
MACHINED SURFACES			
	INCH	mm	
	125/	3.2/	
mm SHOWN IN [BRACKETS]			

DRAWN BY: YL	THIRD ANGLE PROJECTION
DATE: 04-15-2011	
APPROVED BY: HZ	
DATE: 04-15-2011	
REFERENCE	

Regal Beloit America, Inc.	
DESCRIPTION CONNECTION DIAGRAM EXTERNAL	
MATERIAL	PROCESS/FINISH
SIZE A	DWG NO 4 of 4
614131-242	
SHEET 1	