

PRODUCT INFORMATION PACKET



Model No: 661A

Catalog No: 661A

Fan Coil & Air Conditioner Motor, 1/4,1/6,1/8 HP, 1 Ph, 60 Hz, 115 V, 1625 RPM, 3 Speed, 48 Frame,
SEMI ENCL



Regal and Century are trademarks of Regal Rexnord Corporation or one of its affiliated companies.

©2023 Regal Rexnord Corporation, All Rights Reserved. MC017097E





Nameplate Specifications

Phase	1	Output HP	1/4,1/6,1/8 Hp
Output KW	0.19 kW	Voltage	115 V
Speed	1625 rpm	Service Factor	1
Frame	F48Y	Enclosure	Semi Enclosed
Thermal Protection	Automatic	Ambient Temperature	60 °C
Frequency	60 Hz	Current	3.0,2.3,1.9 A
Duty	Air Over	Insulation Class	B
UL	Recognized	CSA	Y
CE	N	Number of Speeds	3

Technical Specifications

Electrical Type	Permanent Split Capacitor	Starting Method	Across The Line
Poles	4	Rotation	Counterclockwise Lead End
Mounting	Extended Studs	Motor Orientation	Horizontal
Drive End Bearing	Ball	Opp Drive End Bearing	Ball
Frame Material	Rolled Steel	Shaft Type	Flat
Overall Length	21.00 in	Frame Length	3.38 in
Shaft Diameter	0.500 in	Shaft Extension	8.51 in
Connection Drawing	614131-296	Outline Drawing	F48Z29A01-S01

This is an uncontrolled document once printed or downloaded and is subject to change without notice. Date Created:07/05/2023

4

3

2

1

GENERAL INFORMATION:

SHAFT RUNOUT: .001 [.03] T.I.R. PER INCH LENGTH OF EXTENSION

END PLAY: .010 TO .063 [.25 TO 1.60]

BEARINGS: SLEEVE

MOUNTING POSITION: ALL ANGLE

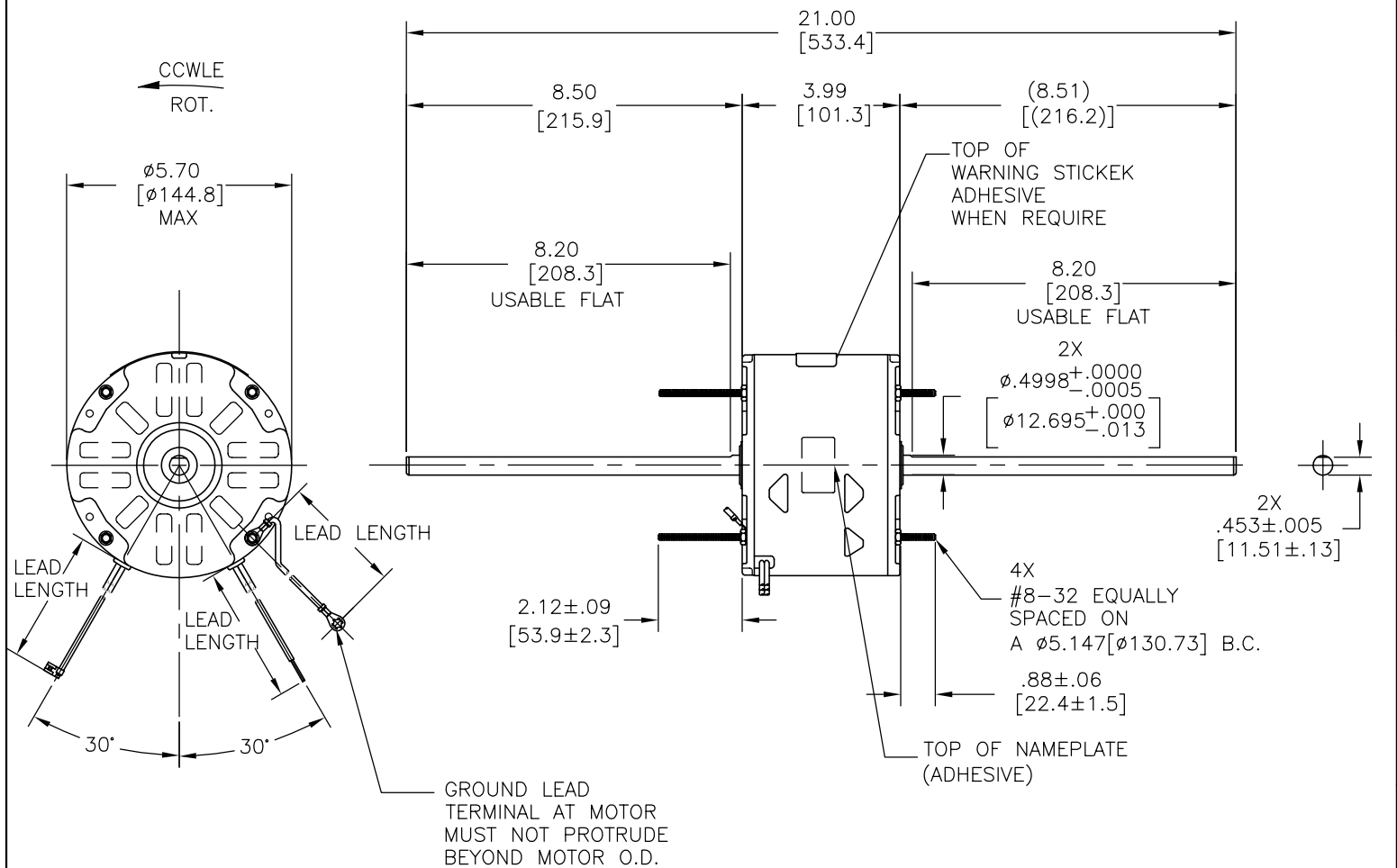
ELECTRICAL DATA:

OVERLOAD PROTECTOR: AUTOMATIC RESET (T.I. 7AM 036)

LEADS: NO. 18 GA., .06 [1.5] THK. PVC 105°C INSUL.

GROUND LEAD: NO. 16 GA., .03 [.8] THK. (GREEN/YELLOW) INSUL.

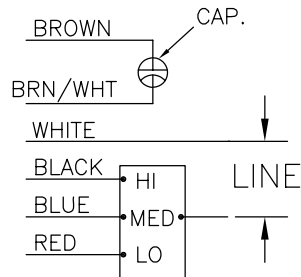
REV	REFERENCE ECN	REFERENCE PROJECT	REV BY	DATE	APPD	DATE
B		03480101	Teresi	10-05-2007	CContr	10-12-2007



NAMEPLATE DATA:

EXTERNAL CONNECTION DIAGRAM

MODEL NO.: F48Z29A01
 CUST. P/N: 661A
 HP: 1/4,1/6,1/8
 ROT.: CCWLE
 RPM: 1625 3SPD
 TYPE: UF
 FRAME: 48Y
 VOLTS: 115
 PH: 1
 AMPS: 3.0,2.3,1.9
 HZ: 60
 INS.: B
 AMB.: 60 °C
 DUTY: AIR OVER
 CODE: -
 CAP.: 5 MFD/370V
 ENCL: SEMI-ENCL
 UL LOGO
 CSA LOGO
 THERMALLY PROTECTED



614131-296

GRN/YEL(GRD)	11.0/13.0 [279/330]	#10 EYELET
BROWN	23.0/25.0 [584/635]	.25[6.4] FLAG
BROWN/WHITE	23.0/25.0 [584/635]	.25[6.4] FLAG
WHITE	23.0/25.0 [584/635]	.50[12.7] SKIN
BLACK	23.0/25.0 [584/635]	.50[12.7] SKIN
BLUE	23.0/25.0 [584/635]	.50[12.7] SKIN
RED	23.0/25.0 [584/635]	.50[12.7] SKIN
COLOR	LENGTH	TERMINAL OR STRIP LENGTH

MAIN FRAME - OLE	SEMI-ENCLOSED
END FRAME - OLE	OPEN
MAIN FRAME - LE	SEMI-ENCLOSED
END FRAME - LE	OPEN

CUSTOMER	DISTRIBUTION SERVICES
----------	-----------------------

PERFORMANCE CURVE NO.	TORQUE @ 1625 RPM (25°C)	APPROVED SAMPLE	UL COMPONENT		CSA	
C32699	12.8 OZ. FT.	0603160C	FILE #	GUIDE#	FILE #	GUIDE #
			E46412	PRGY2	LR43341	4211-01

GEOMETRIC CHARACTERISTICS & SYMBOLS

- FLATNESS
- STRAIGHTNESS
- ANGULARITY
- PERPENDICULARITY (SQUARENESS)
- PARALLELISM
- ROUNDNESS (CIRCULARITY)
- CYLINDRICITY
- PROFILE OF ANY SURFACE
- PROFILE OF ANY LINE
- RUNOUT
- TRUE POSITION
- CONCENTRICITY
- SYMMETRY

A.O. SMITH PROVIDES TECHNICAL ASSISTANCE TO OUR CUSTOMERS IN SEVERAL AREAS. SINCE A.O. SMITH DOES NOT RECEIVE ALL DATA CONCERNING THE USE AND APPLICATION OF THE MOTOR, THE SUITABILITY OF THE MOTOR FOR THE APPLICATION MUST BE DETERMINED BY THE CUSTOMER.

DIMENSIONS WITHOUT TOLERANCES ARE FOR REFERENCE ONLY.

DR BY: ZHU HONG 05-24-2007

APPD:

THIRD ANGLE PROJECTION

EDS DATE 01-21-2007

FORMAT REV E

CONFIDENTIAL: THIS DRAWING AND ITS INFORMATION ARE THE EXCLUSIVE AND CONFIDENTIAL PROPERTY OF A.O. SMITH CORP. AND ARE NOT TO BE DISCLOSED, DUPLICATED, DISTRIBUTED OR OTHERWISE USED WITHOUT THE WRITTEN CONSENT OF A.O. SMITH CORP.

-ALL RIGHTS RESERVED. ASME Y14.5M 1994

A.O. SMITH
 ELECTRICAL PRODUCTS COMPANY
 TIPP CITY, OHIO

A DIVISION OF A. O. SMITH CORPORATION

DESCRIPTION: OUTLINE

SIZE: C DWG NO: F48Z29A01

SCALE: NONE SHEET: 1

4

3

2

1

4

3

2

1

REVISION:	ECN REFERENCIA:	PROYECTO REFERENCIA:	REVISADO POR:	FECHA:	APROBADO POR:	FECHA:
B		03480101	Teresi	10-05-2007	CContr	10-12-2007

INFORMACION GENERAL:

OSCILACION DE FLECHA: .001 [.03] T.I.R. PER INCH LENGTH OF EXTENSION

JUEGO AXIAL: .010 A .063 [.25 A 1.60]

BALEROS: MANGA

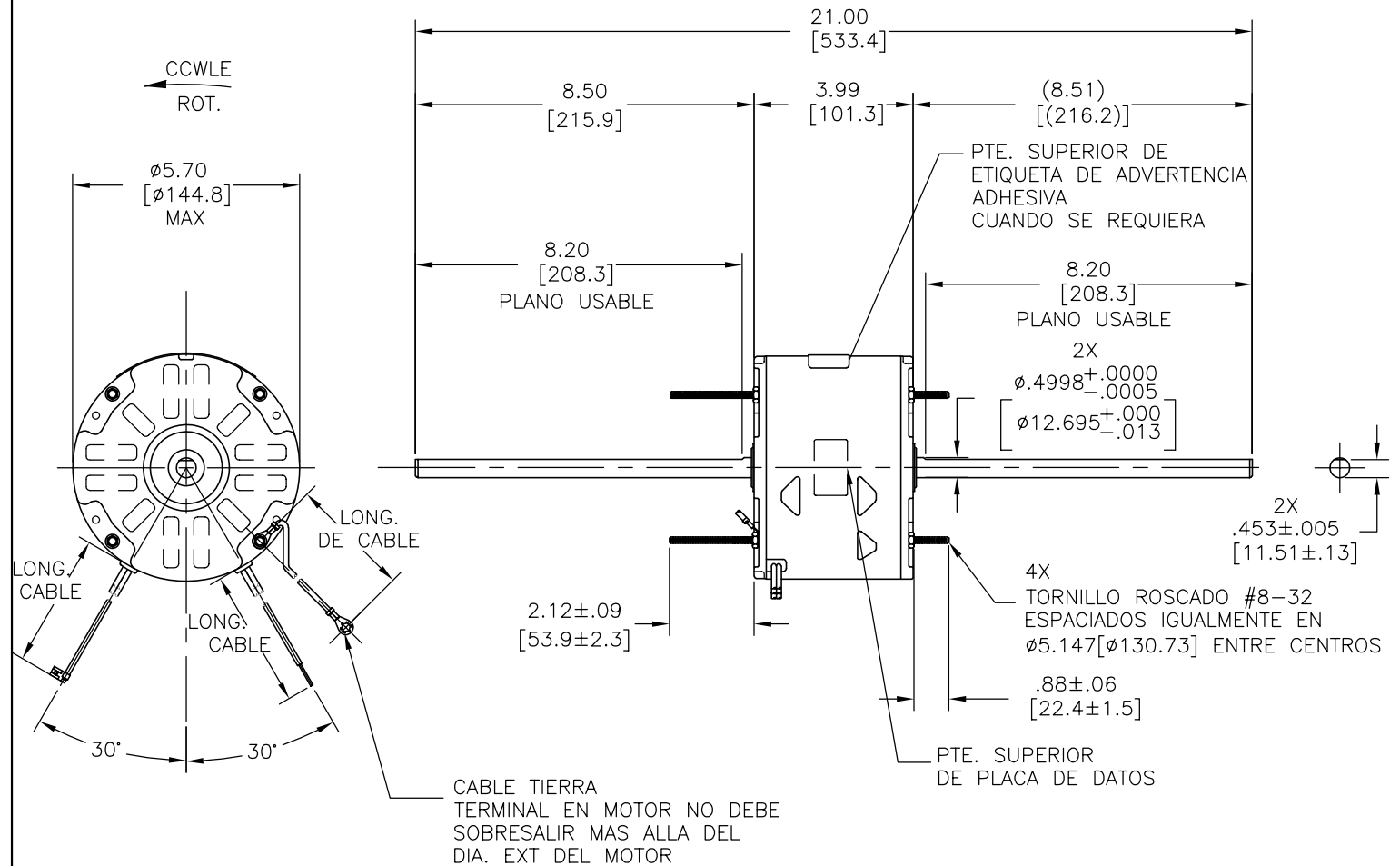
POSICION DEL MONTAJE: TODOS ANGULOS

INFORMACION ELECTRICA:

SOBRECARGA DEL PROTECTOR: REINICIO AUTOMATIC (T.I. 7AM 036)

CABLES: NO. 18 GA., .06 [1.5] THK. PVC 105°C AISLAM.

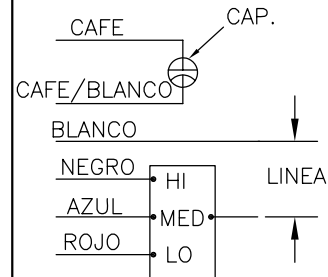
CABLE DE TIERRA: NO. 18 GA., .03 [.8] THK. (VERDE) AISLAM.



INFORMACION DE PLACA DE DATOS

DIAGRAMA DE CONEXION EXTRNA

MODEL NO.: F48Z29A01
 CUST. P/N: 661A
 HP: 1/4,1/6,1/8
 ROT.: CCWLE
 RPM: 1625 3SPD
 TYPE: UF
 FRAME: 48Y
 VOLTS: 115
 PH: 1
 AMPS: 3.0,2.3,1.9
 HZ: 60
 INS.: B
 AMB.: 60 °C
 DUTY: AIR OVER
 CODE: -
 CAP.: 5 MFD/370V
 ENCL: SEMI-ENCL
 UL LOGO
 CSA LOGO
 THERMALLY PROTECTED



614131-296

VERDE/AMAR. (TIERRA)	11.0/13.0 [279/330]	#10 OJAL
CAFE	23.0/25.0 [584/635]	.25[6.4] BANDERA
CAFE/BLANCO	23.0/25.0 [584/635]	.25[6.4] BANDERA
BLANCO	23.0/25.0 [584/635]	.50[12.7] DESFORRE
NEGRO	23.0/25.0 [584/635]	.50[12.7] DESFORRE
AZUL	23.0/25.0 [584/635]	.50[12.7] DESFORRE
ROJO	23.0/25.0 [584/635]	.50[12.7] DESFORRE
COLOR	LONGITUD	TERMINAL O LONGITUD DE DESFORRE

DE CARCASA - OLE	SEMI-CERRADO
DE TAPA - OLE	ABIERTO
DE CARCASA - LE	SEMI-CERRADO
DE TAPA - LE	ABIERTO

CLIENTE	DISTRIBUTION SERVICES
---------	-----------------------

CURVAS DE FUNCIONAMIENTO	TORSION @--- RPM (25°C)	MUESTRA APROBADA	COMPONENTE UL	CSA
C32699	12.8 OZ. FT.	0603160C	#ARCHIVO CCN #	#ARCHIVO CLASE #
			E46412 PRGY2 LR43341	4211-01

CARACTERISTICAS DE GEOMETRIA Y SIMBOLOS

- PLANICIDAD
- RECTITUD
- ANGULARIDAD
- PERPENDICULARIDAD (A ESCUADRA)
- PARALELISMO
- REDONDEZ (CIRCULARIDAD)
- CILINDRICIDAD
- PERFIL DE CUALQUIER SUPERFICIE
- PERFIL DE CUALQUIER LINEA
- VARIACION
- POSICION REAL
- CONCENTRICIDAD
- SIMETRIA

A.O. SMITH PROVEE ASISTENCIA TECNICA A NUESTROS CLIENTES EN VARIAS AREAS. DESDE QUE A.O. SMITH NO RECIBE TODOS LOS DATOS EN RELACION AL USO Y A LA APLICACION DEL MOTOR, LA APLICACION ADECUADA DEL MOTOR DEBE SER DETERMINADA POR EL CLIENTE.

DIMENSIONES SIN TOLERANCIA SON DE REFERENCIA SOLAMENTE

DIBUJADO POR: ZHU HONG 05-24-2007

APROBADO POR:

TERCER ANGULO DE PROYECCION

FECHA EDS: 01-21-2007

REV. FORMATO: E

CONFIDENCIAL: ESTE DIBUJO Y SU INFORMACION SON PROPIEDAD DE USO EXCLUSIVO Y CONFIDENCIAL DE A.O. SMITH CORP. Y NO DEBERAN SER REVELADOS, DUPLICADOS, DISTRIBUIDOS O USARSE DE OTRA MANERA SIN EL CONSENTIMIENTO ESCRITO DE A.O. SMITH CORP. -TODOS LOS DERECHOS RESERVADOS. ASME Y14.5M 1994

A.O. SMITH A DIVISION OF A. O. SMITH CORPORATION

ELECTRICAL PRODUCTS COMPANY TIPP CITY, OHIO

DESCRIPCION:

TAMAÑO: C NUMERO DE DIBUJO:

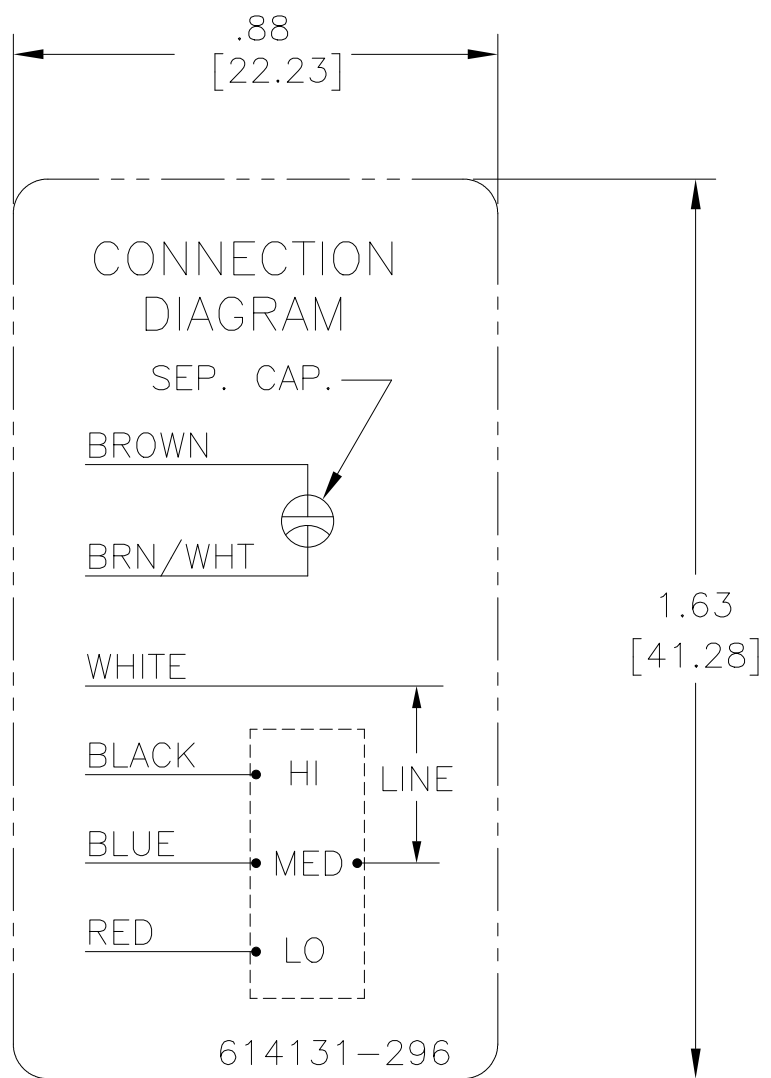
ESCALA: NONE HOJA: 1

4

3

2

1



NOTES:

1. FOR USE WITH 614129 NAMEPLATE BLANK
2. — — — — — INDICATES DIMENSION LIMITS
3. DIE TO BE MADE FROM MASTER SUPPLIED BY REGAL BELOIT CORPORATION
4. DIE MUST PRODUCE A LEGIBLE IMPRESSION.

DRAWING REVISION C		REVISION BY J. RUPERT	DATE 11-04-2021	TOLERANCES UNLESS OTHERWISE SPECIFIED		DRAWN BY: S.RECKERS		Regal Beloit America, Inc.				
ECO ECR-0213550		APPROVED BY J. RUPERT	DATE 11-04-2021	DEC.	INCH	mm	ANGLE			DATE: 06-21-2002		
ECO DESCRIPTION REVISED FOR UP ISSUE				.X	±0.1	[±2.5]	±0.5°	APPROVED BY: B.BLATTERMAN	DESCRIPTION CONN DIAGRAM-NAMEPLATE			
COPYRIGHT REGAL BELOIT AMERICA, INC. ALL RIGHTS RESERVED. PROPRIETARY AND CONFIDENTIAL INFORMATION - THIS DOCUMENT IS THE PROPERTY OF REGAL BELOIT AMERICA, INC. ("OWNER") AND CONTAINS OWNER'S PROPRIETARY INFORMATION. ANY PERSON, CORPORATION OR OTHER FIRM RECEIVING IT IS DEEMED, BY RECEIVING IT, TO AGREE THAT IT, AND/OR ANY PART OF IT, SHALL NOT BE DISCLOSED TO ANY PERSON, CORPORATION OR OTHER ENTITY, DUPLICATED, AND/OR USED, EXCEPT AS EXPRESSLY APPROVED IN WRITING IN ADVANCE BY OWNER. THIS DOCUMENT SHALL BE RETURNED TO OWNER UPON REQUEST. IT MAY BE SUBJECT TO CERTAIN RESTRICTIONS UNDER APPLICABLE EXPORT CONTROL LAWS AND REGULATIONS.				.XX	±0.02	[±0.51]		DATE: 06-21-2002				
								.XXX	±0.005	[±0.127]		REFERENCE 614131 SHT #30
				.XXXX	±0.0005	[±0.0127]		THIRD ANGLE PROJECTION	SIZE A	DWG NO 6 of 6	SHEET 1	
				REMOVE BURRS & BREAK SHARP EDGES .003/.015 [0.076/.381] CORNER FILLETS .02 [.51] MACHINED SURFACES INCH ¹²⁵ / mm ^{3.2}						614131-296		
				mm SHOWN IN [BRACKETS]								