

# PRODUCT INFORMATION PACKET

Model No: 5FE1076SV1

Catalog No: 5FE1076SV1

3/4 HP Condenser Fan Motor, 1075 RPM, 575 Volts, 48 Frame, TEAO



Regal and are trademarks of Regal Rexnord Corporation or one of its affiliated companies.  
©2022 Regal Rexnord Corporation, All Rights Reserved. MC017097E

**Nameplate Specifications**

Output HP	<b>3/4 Hp</b>	Output KW	<b>0.56 kW</b>
Frequency	<b>60 Hz</b>	Voltage	<b>575 V</b>
Current	<b>1.9 A</b>	Speed	<b>1075 rpm</b>
Service Factor	<b>1</b>	Phase	<b>1</b>
Duty	<b>Air Over</b>	Insulation Class	<b>B</b>
Frame	<b>48</b>	Enclosure	<b>Totally Enclosed</b>
Thermal Protection	<b>Automatic</b>	Ambient Temperature	<b>60 °C</b>
UL	<b>Recognized</b>	CSA	<b>Y</b>
CE	<b>N</b>	Number of Speeds	<b>1</b>

**Technical Specifications**

Electrical Type	<b>Permanent Split Capacitor</b>	Starting Method	<b>Across The Line</b>
Poles	<b>6</b>	Rotation	<b>Reversible</b>
Mounting	<b>Extended Studs</b>	Motor Orientation	<b>Any</b>
Drive End Bearing	<b>Ball</b>	Opp Drive End Bearing	<b>Ball</b>
Frame Material	<b>Rolled Steel</b>	Shaft Type	<b>Flat</b>
Overall Length	<b>13.82 in</b>	Frame Length	<b>5.50 in</b>
Shaft Diameter	<b>0.500 in</b>	Shaft Extension	<b>6.5 in</b>
Outline Drawing	<b>5FE1076SV1-S01</b>	Connection Drawing	<b>614131-242</b>

This is an uncontrolled document once printed or downloaded and is subject to change without notice. Date Created:03/17/2022

GENERAL INFORMATION:

SHAFT RUNOUT: .001 [.03] T.I.R. PER INCH LENGTH OF EXTENSION

BEARINGS: BALL

MOUNTING POSITION: ALL ANGLE

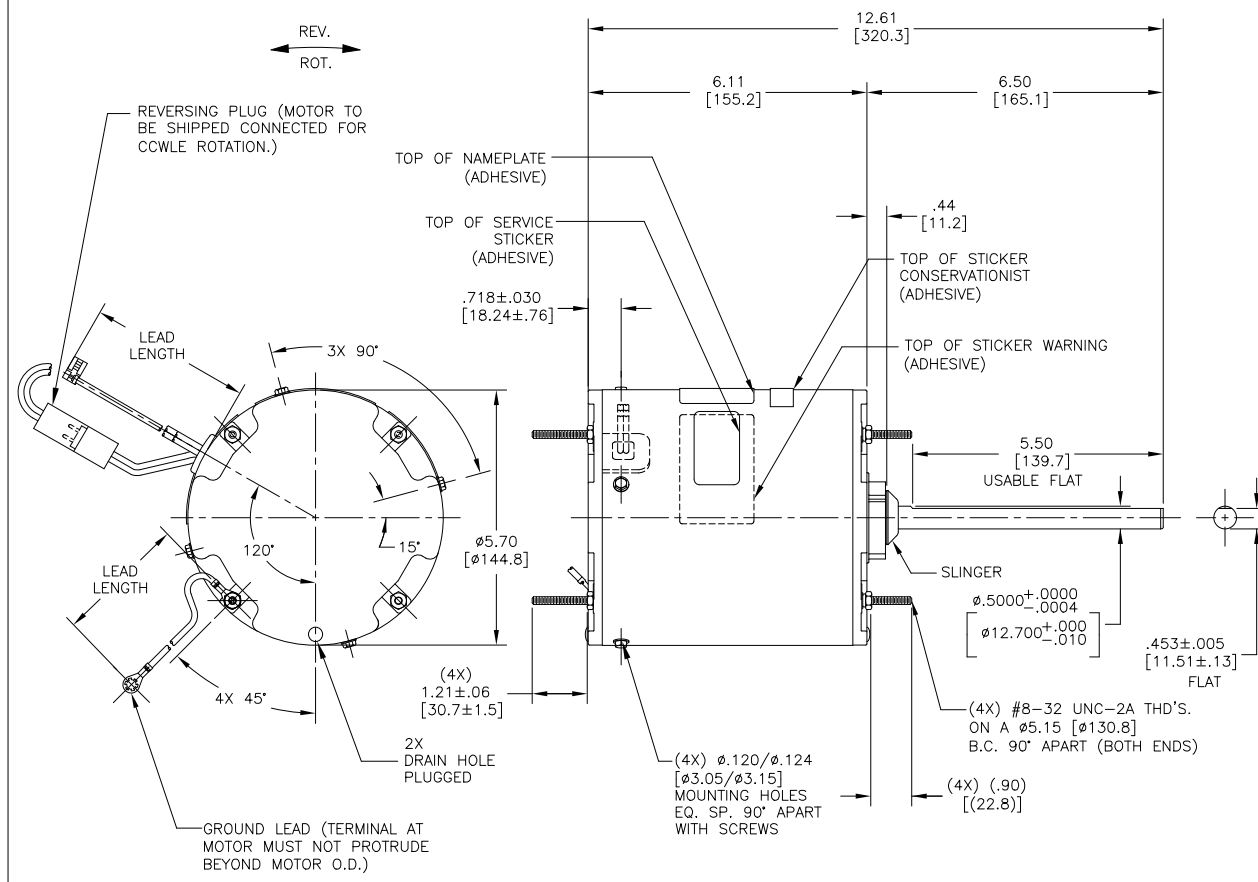
ELECTRICAL DATA:

OVERLOAD PROTECTOR: AUTOMATIC RESET (SENSATA 7AM 036)

LEADS: NO. 18 GA., .06 [1.5] THK. PVC 105°C INSUL.

REVERSING PLUGS: NO. 18 GA., .03 [.8] THK. XLP 125°C INSUL.

GROUND LEAD: NO. 18 GA., .03 [.8] THK. (GREEN) INSUL.



NAMEPLATE DATA:	EXTERNAL CONNECTION DIAGRAM
MODEL NO.: F48AJ73AO1 CUST. P/N: 5FE1076SV1 HP: 3/4 ROT.: REVERSIBLE RPM: 1075 TYPE: UF FRAME: 48 VOLTS: 575 PH: 1 AMPS: 1.9 HZ: 60 INS.: B AMB.: 60° C DUTY: AIR OVER CAP.: 15 MFD/370 V ENCL: ENCLOSED UL LOGO CSA LOGO THERMALLY PROTECTED	<p>SEP. CAP.</p> <p>BROWN</p> <p>BRN/WHT</p> <p>WHITE</p> <p>BLACK</p> <p>LINE</p> <p>ROTATION</p> <p>BLACK BLACK</p> <p>WHITE WHITE</p> <p>CCWLE</p> <p>BLACK WHITE</p> <p>WHITE BLACK</p> <p>CWLE</p> <p>614131-242</p>

PERFORMANCE CURVE NO.	TORQUE @ 1075 RPM (25°C)	APPROVED SAMPLE	UL COMPONENT	CSA
FILE #	CCN #	FILE #	CLASS #	
C31449	72.3 OZ. FT.	96AC424B	E46412 PRGY2	LR43341 4211-01

GREEN (GROUND)	12.0/13.0 [305/330]	#10 EYELET
BLACK/WHITE	3.0/5.0 [76/127]	REVERSING PLUG
BROWN	46.0/50.0 [1168/1270]	.25 [6.4] FLAG
BROWN/WHITE	46.0/50.0 [1168/1270]	.25 [6.4] FLAG
WHITE	46.0/50.0 [1168/1270]	.25 [6.4] FLAG
BLACK	46.0/50.0 [1168/1270]	.25 [6.4] FLAG
COLOR	LENGTH	TERMINAL OR STRIP LENGTH

REGAL-BELOIT CORPORATION (RBC) PROVIDES TECHNICAL ASSISTANCE TO OUR CUSTOMERS IN SEVERAL AREAS. SINCE RBC DOES NOT RECEIVE ALL DATA CONCERNING THE USE AND APPLICATION OF THE MOTOR, THE SUITABILITY OF THE MOTOR FOR THE APPLICATION MUST BE DETERMINED BY THE CUSTOMER.

DIMENSIONS WITHOUT TOLERANCES ARE FOR REFERENCE ONLY.

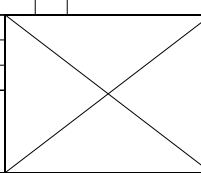
MAIN FRAME - OLE	ENCLOSED
END FRAME - OLE	ENCLOSED
MAIN FRAME - LE	ENCLOSED
END FRAME - LE	ENCLOSED

CUSTOMER	DISTRIBUTION SERVICE

DRAWING REVISION	REVISION BY	DATE
ECO	J. RUPERT	03-16-2022
NMR-0213140	J. RUPERT	03-16-2022

ECO DESCRIPTION  
REVISED FOR UP ISSUE

COPYRIGHT REGAL-BELOIT AMERICA, INC. ALL RIGHTS RESERVED. PROPRIETARY AND CONFIDENTIAL INFORMATION - THIS DOCUMENT IS THE PROPERTY OF REGAL-BELOIT AMERICA, INC. (OWNER) AND CONTAINS OWNER'S PROPRIETARY INFORMATION. ANY PERSON, CORPORATION OR OTHER ENTITY, DUPLICATED, AND/OR USED, EXCEPT AS EXPRESSLY APPROVED IN WRITING IN ADVANCE BY OWNER, THIS DOCUMENT SHALL BE RETURNED TO OWNER UPON REQUEST. IT MAY BE SUBJECT TO CERTAIN RESTRICTIONS UNDER APPLICABLE EXPORT CONTROL LAWS AND REGULATIONS.



ENCLOSURE		DRAWN BY:	
		JASMINE.ZHU	
		DATE:	09-28-2017
		APPROVED BY:	DEXIAN.LI
		DATE:	09-28-2017
		PROCESS/FINISH	
		THIRD ANGLE PROJECTION	

REGAL-BELOIT America, Inc.	
DESCRIPTION	MODEL-RFHP-48FR OUTLINE
MATERIAL	-
SIZE	DWG NO 5FE1076SV1
SHEET	1



NOTES:

1. FOR USE WITH 614129 NAMEPLATE BLANK
2. — — — — — INDICATES DIMENSION LIMITS
3. DIE TO BE MADE FROM MASTER SUPPLIED BY REGAL REXNORD CORPORATION
4. DIE MUST PRODUCE A LEGIBLE IMPRESSION.

DRAWING REVISION H	REVISION BY J. RUPERT	DATE 03-16-2022
ECO NMR-0213140	APPROVED BY J. RUPERT	DATE 03-16-2022

ECO DESCRIPTION  
REVISED FOR UP ISSUED

COPYRIGHT REGAL BELOIT AMERICA, INC. ALL RIGHTS RESERVED. PROPRIETARY AND CONFIDENTIAL INFORMATION - THIS DOCUMENT IS THE PROPERTY OF REGAL BELOIT AMERICA, INC. ("OWNER") AND CONTAINS OWNER'S PROPRIETARY INFORMATION. ANY PERSON, CORPORATION OR OTHER FIRM RECEIVING IT IS DEEMED, BY RECEIVING IT, TO AGREE THAT IT, AND/OR ANY PART OF IT, SHALL NOT BE DISCLOSED TO ANY PERSON, CORPORATION OR OTHER ENTITY, DUPLICATED, AND/OR USED, EXCEPT AS EXPRESSLY APPROVED IN WRITING IN ADVANCE BY OWNER. THIS DOCUMENT SHALL BE RETURNED TO OWNER UPON REQUEST. IT MAY BE SUBJECT TO CERTAIN RESTRICTIONS UNDER APPLICABLE EXPORT CONTROL LAWS AND REGULATIONS.

TOLERANCES UNLESS OTHERWISE SPECIFIED			
DEC.	INCH	mm	ANGLE
.X	±0.1	[±2.5]	±0.5°
.XX	±0.02	[±0.51]	
.XXX	±0.005	[±0.127]	
.XXXX	±0.0005	[±0.0127]	
REMOVE BURRS & BREAK SHARP EDGES .003/.015 [0.076/.381] X 45°			
CORNER FILLETS R.02 [51]			
MACHINED SURFACES			
	INCH	mm	
	125	3.2	
mm SHOWN IN [BRACKETS]			

DRAWN BY: YL	THIRD ANGLE PROJECTION
DATE: 04-15-2011	
APPROVED BY: HZ	
DATE: 04-15-2011	
REFERENCE	

Regal Beloit America, Inc.	
DESCRIPTION CONNECTION DIAGRAM EXTERNAL	
MATERIAL	PROCESS/FINISH
SIZE A	DWG NO 4 of 4
614131-242	
SHEET 1	