

PRODUCT INFORMATION PACKET



Model No: 543

Catalog No: 543

1/15-1/20-1/25 HP OEM Replacement Motor, 1550 RPM, 3 Speed, 115 Volts, 4.3" Diameter, OAO
OEM Replacement Motors



Regal and Century are trademarks of Regal Rexnord Corporation or one of its affiliated companies.
©2021 Regal Rexnord Corporation, All Rights Reserved. MC017097E





Nameplate Specifications

Output HP	1/15-1/20-1/25 Hp	Output KW	0.05 kW
Frequency	60 Hz	Voltage	115 V
Current	2.8/2.0/1.6 A	Speed	1550 rpm
Service Factor	1	Phase	1
Duty	Continuous Air Over	Insulation Class	B
Frame	4.4	Enclosure	Open Enclosed
Thermal Protection	Automatic	Ambient Temperature	40 °C
UL	Recognized	CSA	Y
CE	N	Number of Speeds	3

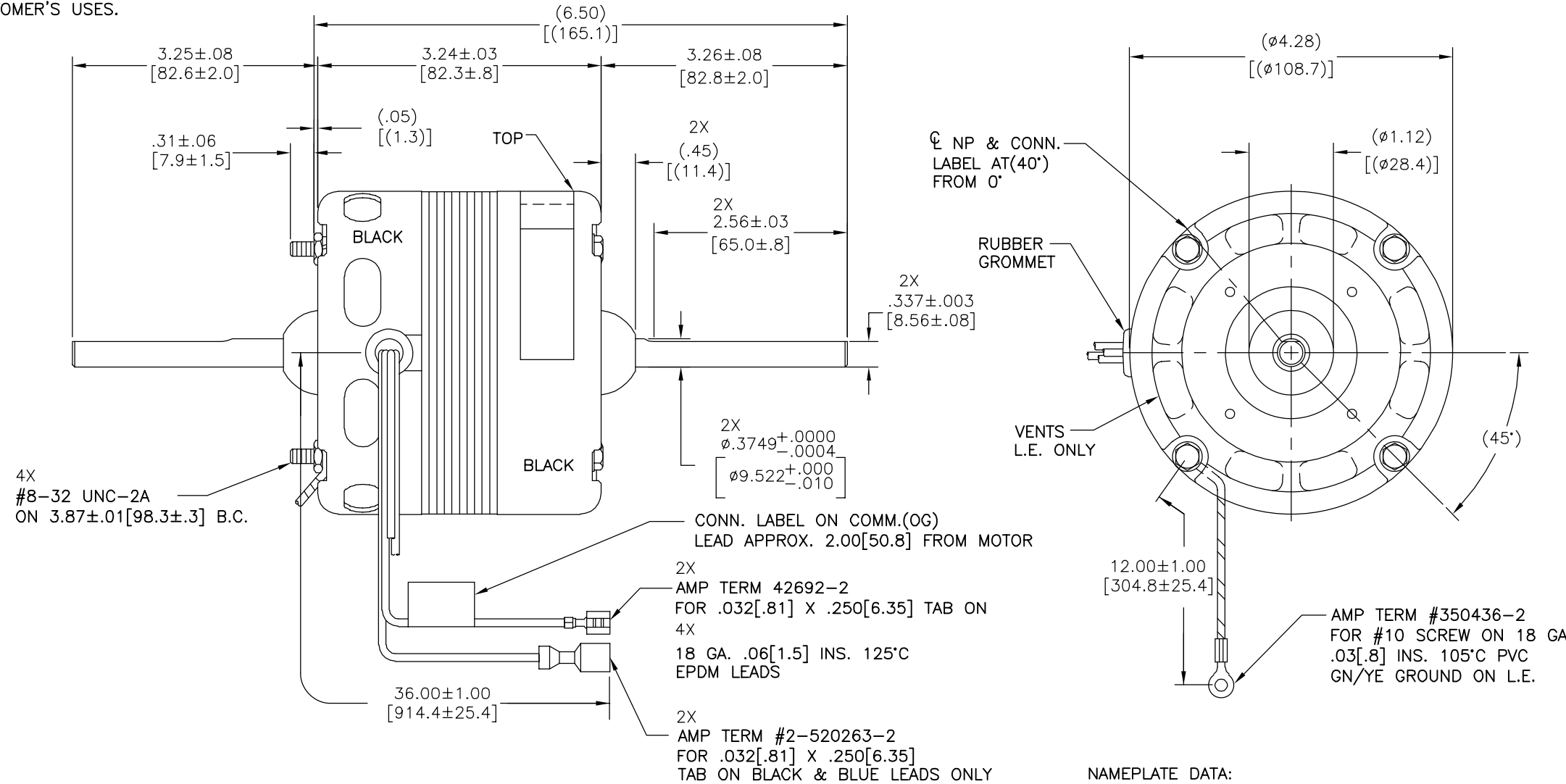
Technical Specifications

Electrical Type	Shaded Pole	Starting Method	Across The Line
Poles	4	Rotation	Counterclockwise Lead End
Mounting	Extended Studs	Motor Orientation	Horizontal
Drive End Bearing	Sleeve	Opp Drive End Bearing	Sleeve
Frame Material	Rolled Steel	Shaft Type	Flat
Overall Length	9.75 in	Shaft Diameter	0.375 in
Shaft Extension	3 1/4 X 3/8 X 3 1/4 in		
Outline Drawing	CA2F083-S01		

This is an uncontrolled document once printed or downloaded and is subject to change without notice. Date Created:10/07/2021

REV	ECO	REV BY	DATE	APPD	DATE
AV	0027378	H.REN	07-13-2012	B.SHEN	07-13-2012

CUSTOMER IS SOLELY RESPONSIBLE FOR MOTOR PERFORMANCE AND SUITABILITY IN APPLICATIONS FOR CUSTOMER'S USES.



NAMEPLATE DATA:



SER. DATE PLT
115V 60HZ 2.8A
STOCK NO. 543

THERMALLY PROTECTED

MOD CA2F083N"
1550RPM CONT A.O. 1PH
ASSEMBLED IN MEXICO

Tipp City, OH



ELECTRICALLY PER
SAMPLE S-5533D

CONN. LABEL:	63T473-97
ROTATION:	CCWLE
END PLAY:	.04[1.0]MAX

COLOR	CODE
BLACK	HIGH
BLUE	MED
RED	LOW
ORANGE	COM

BK-HI 2.8A 1/15HP BU-MED 2.0A 1/20HP
RD-LOW 1.6A 1/25HP OG-COM
CLASS B INS MAX AMB 40°C
← ROTATION →

GEOMETRIC CHARACTERISTICS & SYMBOLS

- FLATNESS
- STRAIGHTNESS
- ∠ ANGULARITY
- ⊥ PERPENDICULARITY (SQUARENESS)
- // PARALLELISM
- ROUNDNESS (CIRCULARITY)
- ⊘ CYLINDRICITY
- △ PROFILE OF ANY SURFACE
- ∩ PROFILE OF ANY LINE
- ↗ RUNOUT
- ⊕ TRUE POSITION
- ◎ CONCENTRICITY
- ≡ SYMMETRY

ASME Y14.5M 1994

UNLESS OTHERWISE SPECIFIED
DIM. TOLERANCES ARE AS FOLLOWS:

INCH X XX XXX XXXX
mm ±0.5 ±0.13 ±0.013

ANG. ±.50 DEG
REMOVE BURRS & BREAK SHARP EDGES:
INCH .003-.015 mm 0.1-0.4

CORNER FILLETS TO:
INCH .020 mm 0.5

MACHINE SURFACES:
INCH 125 mm 3.2

METRIC DIMS. SHOWN IN [BRACKETS]

DR BY:	JAB	12-03-2002
APPD:	JAB	12-03-2002
THIRD ANGLE PROJECTION		EDS DATE 11-11-2011 FORMAT REV H
CONFIDENTIAL: THIS DRAWING AND ITS INFORMATION ARE THE EXCLUSIVE AND CONFIDENTIAL PROPERTY OF REGAL-BELOIT CORPORATION AND ARE NOT TO BE DISCLOSED, DUPLICATED, DISTRIBUTED OR OTHERWISE USED WITHOUT THE WRITTEN CONSENT OF REGAL-BELOIT CORPORATION. -ALL RIGHTS RESERVED.		

REGAL REGAL-BELOIT CORPORATION	
DESCRIPTION OUTLINE	
SIZE C	DWG NO CA2F083
SCALE NONE	SHEET 1

4

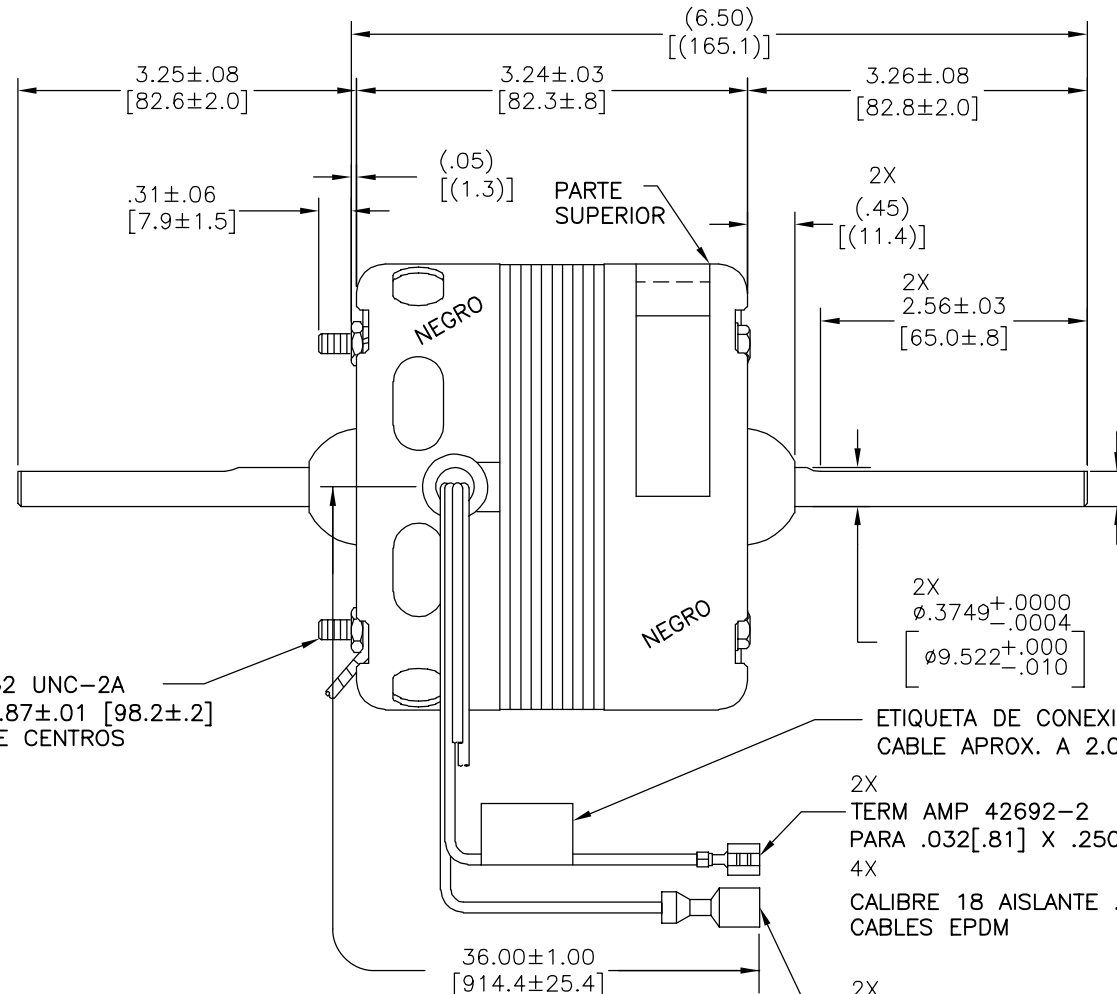
3

2

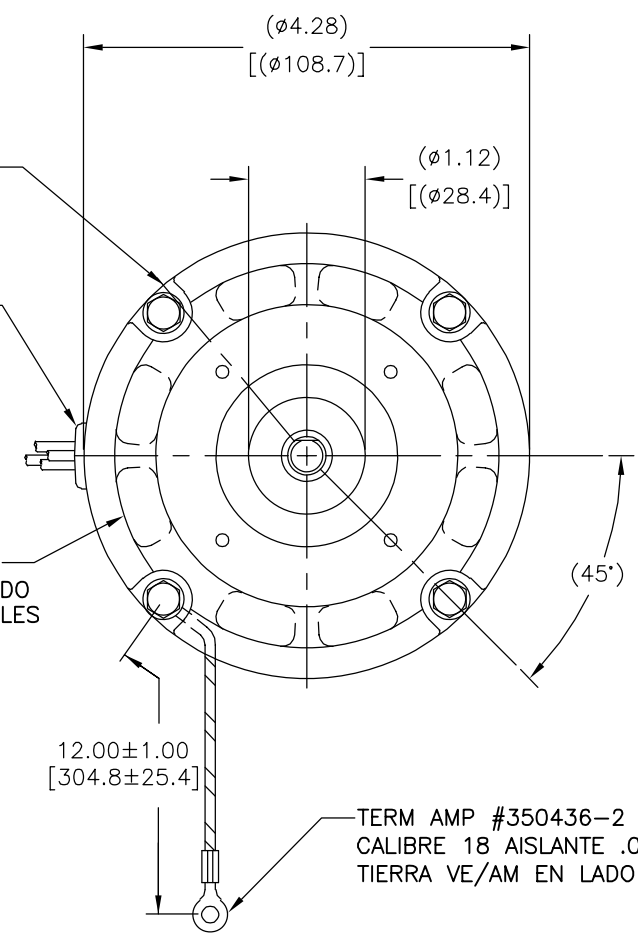
1

REVISION:	ECO	REVISADO POR:	FECHA:	APROBADO POR:	FECHA:
AV	0027378	H.REN	07-13-2012	B.SHEN	07-13-2012

EL CLIENTE ES SOLO RESPONSABLE DEL RENDIMIENTO DEL MOTOR Y APLICACIONES CONVENIENTES PARA LOS USOS DEL CLIENTE.



PLACA DE DATOS Y ETIQUETA DE CONEXION A (40°) DESDE 0°



PLACA DE DATOS:



SER. DATE PLT
115V 60HZ 2.8A
STOCK NO. 543

THERMALLY PROTECTED
MOD CA2F083N"
1550RPM CONT A.O. 1PH
ASSEMBLED IN MEXICO

Tipp City, OH
SA RA

ELECTRICAMENTE POR MUESTRA S-5533D

ETIQ. DE CON.	63T473-97
ROTACION	CCWLE
JUEGO AXIAL	

CODIGO DE COLORES	
NEGRO	ALTA
AZUL	MEDIA
ROJO	BAJA
NARANJA	COMUN

BK-HI 2.8A 1/15HP BU-MED 2.0A 1/20HP
RD-LOW 1.6A 1/25HP OG-COM
CLASS B INS MAX AMB 40°C
← ROTATION →

CARACTERISTICAS DE GEOMETRIA Y SIMBOLOS
 □ PLANICIDAD
 - RECTITUD
 < ANGULARIDAD
 ⊥ PERPENDICULARIDAD (A ESCUADRA)
 // PARALELISMO
 ○ REDONDEZ (CIRCULARIDAD)
 ∅ CILINDRICIDAD
 △ PERFIL DE CUALQUIER SUPERFICIE
 ∇ PERFIL DE CUALQUIER LINEA
 ∠ VARIACION
 ⊕ POSICION REAL
 ⊙ CONCENTRICIDAD
 = SIMETRIA
 ASME Y14.5M 1994

A MENOS QUE SE ESPECIFIQUE DE OTRA MANERA, LAS TOLERANCIAS DE LAS DIMS; SON LAS SIGUIENTES:
 PULG ±.1 ±.02 ±.005 ±.0005
 mm ±0.5 ±0.13 ±0.013
 ANG. ± 50 GRADOS
 ELIMINAR REBABAS Y ORILLAS FILOSAS DEL BORDE.
 PULG .003-.015 mm 0.1-0.4
 FILETEAR ESQUINA: PULG .020 mm 0.5
 MAQUINAR SUPERFICIES
 PULG 125 mm 3.2
 DIMS METRICAS MOSTRADAS [PARENTESIS]

DIBUJADO POR: JAB 12-03-2002
 APROBADO POR: JAB 12-03-2002
 TERCER ANGULO DE PROYECCION
 CONFIDENCIAL: ESTE DIBUJO Y SU INFORMACION SON PROPIEDAD DE USO EXCLUSIVO Y CONFIDENCIAL DE REGAL-BELOIT CORPORATION. Y NO DEBERAN SER REVELADOS, DUPLICADOS, DISTRIBUIDOS O USARSE DE OTRA MANERA SIN EL CONSENTIMIENTO ESCRITO DE REGAL-BELOIT CORPORATION. -TODOS LOS DERECHOS RESERVADOS.

REGAL REGAL-BELOIT CORPORATION

DESCRIPCION: **OUTLINE**

TAMAÑO: C NUMERO DE DIBUJO: CA2F083

ESCALA: NONE HOJA: 1

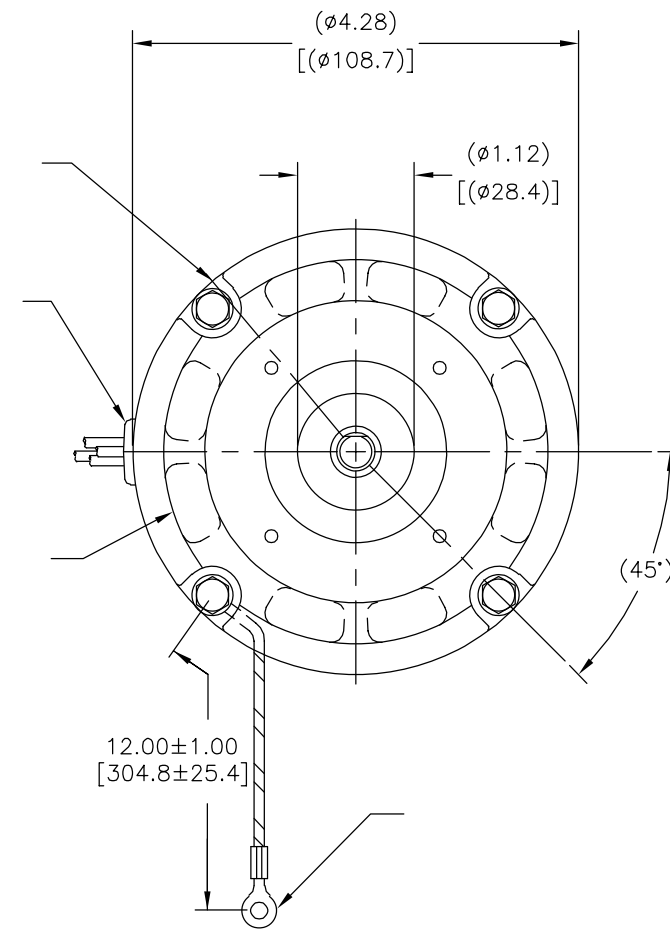
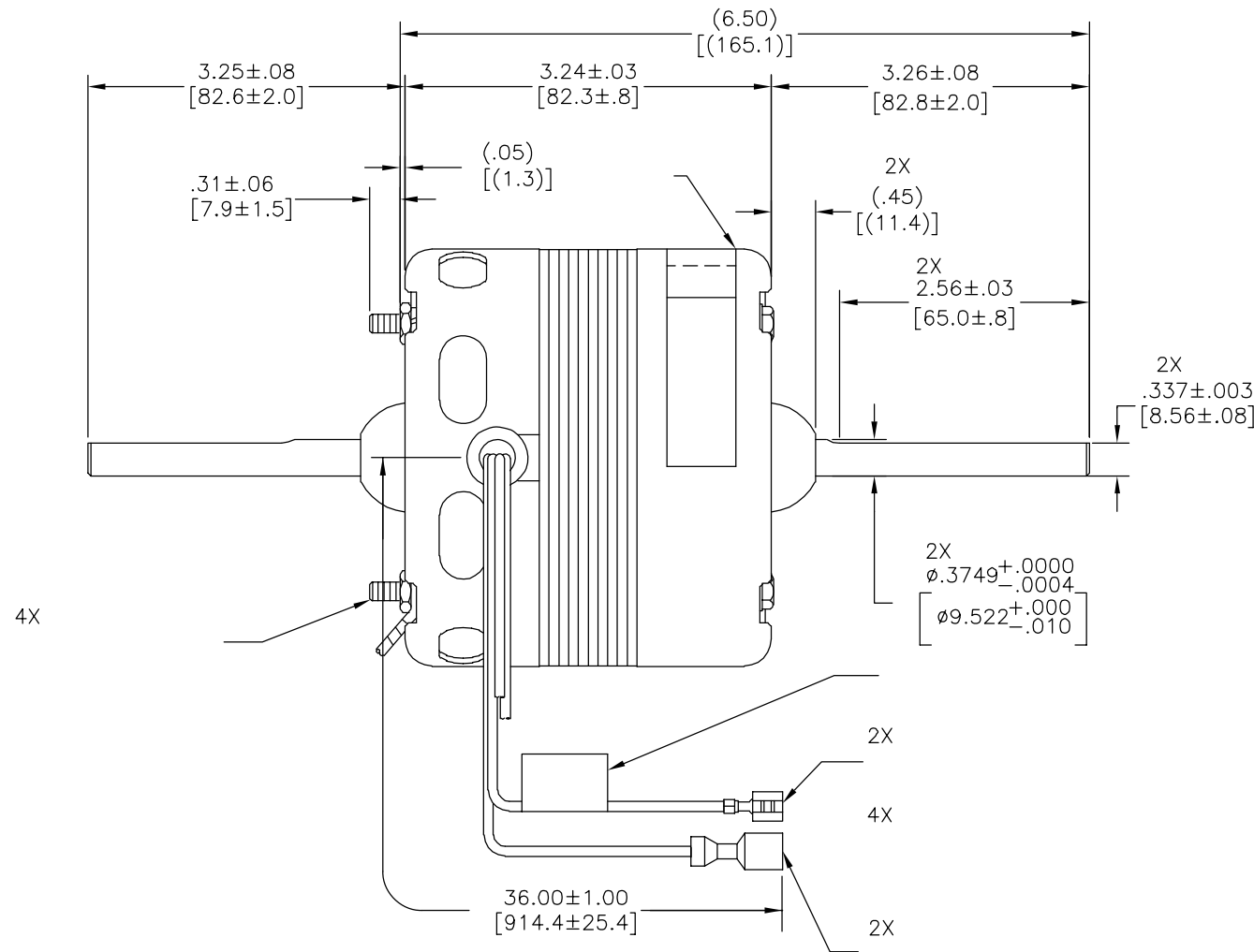
4

3

2

1

版本	ECO	编制	日期	批准	日期
AV	0027378	H.REN	07-13-2012	B.SHEN	07-13-2012



SER. DATE PLT
115V 60HZ 2.8A
STOCK NO. 543

THERMALLY PROTECTED

MOD CA2F083N"
1550RPM CONT A.O. 1PH
ASSEMBLED IN MEXICO

Tipp City, OH



BK-HI 2.8A 1/15HP BU-MED 2.0A 1/20HP
RD-LOW 1.6A 1/25HP OG-COM
CLASS B INS MAX AMB 40°C
← ROTATION →

63T473-97

CCWLE

形位公差
□ 平面度
— 直线度
∠ 倾斜度
⊥ 垂直度
// 平行度
○ 圆度
⊙ 圆柱度
△ 面轮廓度
∩ 线轮廓度
↗ 圆跳动
⊕ 位置度
⊗ 同轴度
≡ 对称度

ASME Y14.5M 1994

除另有注明
尺寸公差如下:
英寸 X XX XXX XXXX
±.1 ±.02 ±.005 ±.0005
毫米 ±0.5 ±0.13 ±0.013
角度 ±.50 度
清理毛刺和尖棱
英寸 .003-.015 毫米 0.1-0.4
内圆角
英寸 .020 毫米 0.5
表面粗糙度
英制 125 米制 3.2
米制尺寸显示在 []

绘图: JAB 12-03-2002

批准: JAB 12-03-2002

第三角投影 图纸格式发布日期 11-11-2011 图纸格式版本 H

机密: 本图纸及相关信息所有权归REGAL-BELOIT CORPORATION
未经REGAL-BELOIT CORPORATION书面授权, 不得泄露、
复制、传播或作其他用途。一版权所有

REGAL REGAL-BELOIT CORPORATION

名称: OUTLINE

图幅: C 图号: CA2F083

比例: NONE 页号: 1