

PRODUCT INFORMATION PACKET



Model No: 515
Catalog No: 515
1/4 HP OEM Replacement Motor, 1100 RPM, 208-230 Volts, 42 Frame, OAO

OEM Replacement Motors



Regal and Century are trademarks of Regal Rexnord Corporation or one of its affiliated companies.
©2022 Regal Rexnord Corporation, All Rights Reserved. MC017097E





Nameplate Specifications

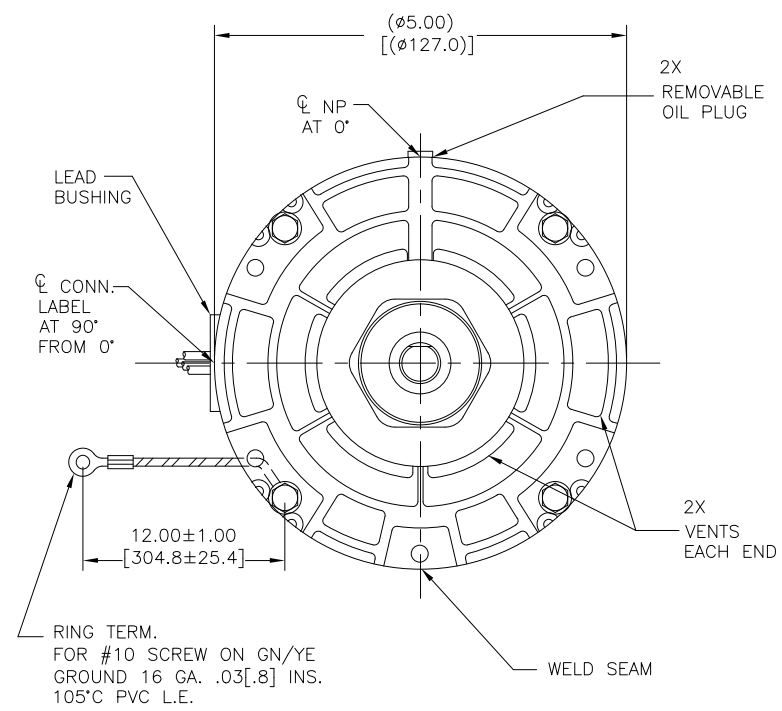
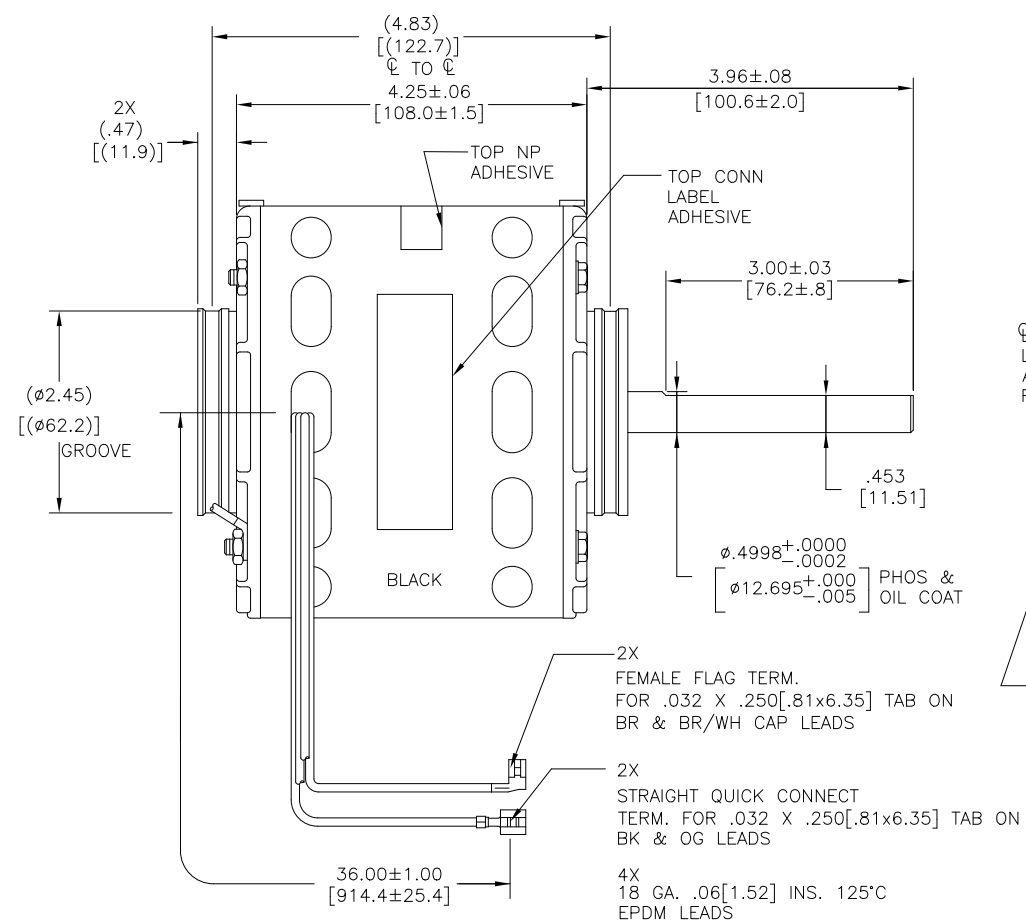
Output HP	1/4 Hp	Output KW	0.19 kW
Frequency	60 Hz	Voltage	208-230 V
Current	1.5 A	Speed	1100 rpm
Service Factor	1	Phase	1
Duty	Continuous Air Over	Insulation Class	A
Frame	42Y	Enclosure	Open Air Over
Thermal Protection	Automatic	Ambient Temperature	40 °C
UL	Recognized	CSA	Y
CE	N	Number of Speeds	1

Technical Specifications

Electrical Type	Permanent Split Capacitor	Starting Method	Across The Line
Poles	6	Rotation	Clockwise Shaft End
Mounting	Resilient Rings	Motor Orientation	Horizontal
Drive End Bearing	Sleeve	Opp Drive End Bearing	Sleeve
Frame Material	Rolled Steel	Shaft Type	Flat
Overall Length	9.26 in	Frame Length	3.67 in
Shaft Diameter	0.500 in	Shaft Extension	3.96 in
Outline Drawing	DE3G7097-S01		

This is an uncontrolled document once printed or downloaded and is subject to change without notice. Date Created:02/07/2022

CUSTOMER IS SOLELY RESPONSIBLE FOR MOTOR PERFORMANCE AND SUITABILITY IN APPLICATIONS FOR CUSTOMER'S USES.



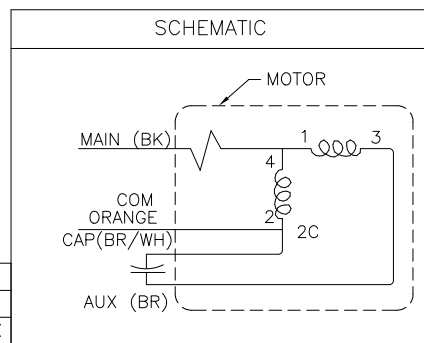
NOTE:
DISTRIBUTION: CUST. P/N: 515
GRAINGER: CUST. P/N: 4UY66

SEE NOTE

MAXIMUM SHAFT RUNOUT .001[.03] PER INCH[mm]
MAXIMUM RUN OUT NOT TO EXCEED .010[.25]

ELECTRICALLY PER
SAMPLE S-9335D

CONN. LABEL:	63T7432-250
ROTATION:	CWSE-CCWLE
END PLAY:	.005[.13] MIN-.040[1.02] MAX



NAMEPLATE DATA:



SER. DATE & P0# PLT LTR MOD DE3G097N []
VOLTS 208-230 HZ 60 AMPS 1.5
RPM 1100 SP PH1 CAP 5MFD 370VAC
INS CL AMB °C HP 1/4 CONT AO ← ROTATION →
BRG SLV BK LINE, ORANGE LINE
BR CAP, BR/WH CAP
ASSEMBLED IN MEXICO

DRAWING REVISION E ECO ECR-0208905 SEE ECR	REVISION BY D. VALENCIANO APPROVED BY M. DURAN	DATE 07-07-2021 07-07-2021	TOLERANCES UNLESS OTHERWISE SPECIFIED DEC. INCH mm ANGLE X ±0.1 [±2.5] .XX ±0.02 [±0.51] .XXX ±0.005 [±0.127] .XXXX ±0.0005 [±0.0127] REMOVE BURRS & BREAK SHARP EDGES .003/.015 [0.076/.381] X 45° CORNER FILLETS R.02 [51] MACHINED SURFACES 1/4 INCH 3/2 mm SHOWN IN [BRACKETS]	DRAWN BY: DATE: APPROVED BY: DRB DATE: 02-12-2001 REFERENCE THIRD ANGLE PROJECTION	Regal Beloit America, Inc. DESCRIPTION MODEL-RFHP-42FR OUTLINE MATERIAL PROCESS/FINISH SIZE DWG NO C DE3G7097 SHEET 1
--	---	----------------------------------	--	---	---