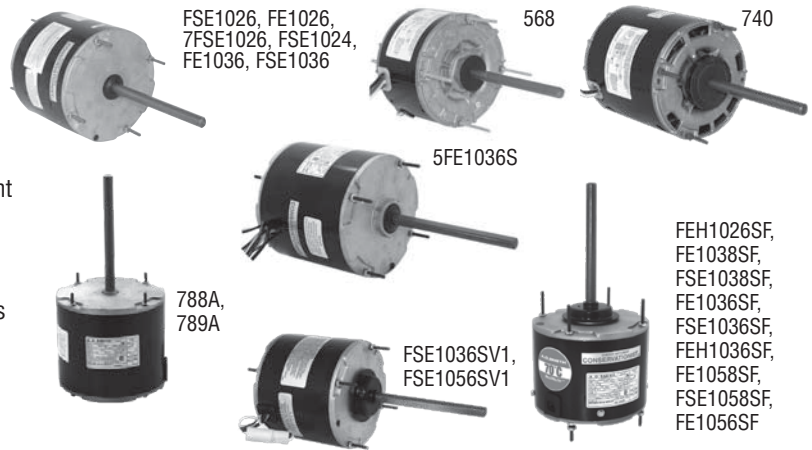


5-5/8" Diameter (Totally Enclosed) - Outdoor Ball and Sleeve Bearing

Condensers - Heat Pump - Refrigeration

Features:

- Energy Efficient \$
- Permanent Split Capacitor
- Class B or Class F Insulation
- Ball or Sleeve Bearing
- 1/2" Dia. Flatted Shaft
- 26" (Minimum) to 48" Leads
- 60 HZ
- All Angle Mount
- 60° or 70° C Ambient
- Auto Protector
- Reversible
- 4, 6, and 8 Pole
- Extended Thru Bolts

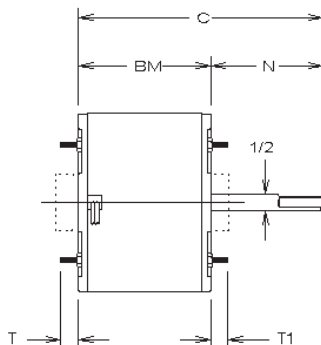


"TURN-A-BOU" 1 AND 2-SPEED (CAPACITOR NOT INCLUDED)

HP	RPM	Volts	Speeds	Amps Rated	Amps Max.	Insulation Class	Ambient	Stock Number	Bearings	Capacitor	Dim. Ref.	Notes
1/4	1075	208-230	2	1.3	1.8	B	60°C	FSE1026	Sleeve	5MFD/370V	1	9,71,288,\$
1/4	1075	208-230	2	1.3	1.8	B	60°C	FE1026	Ball	5MFD-370V	1	9,71,288,\$
1/4	1075	277	2	1.3	1.8	B	60°C	7FSE1026	Sleeve	5MFD/370V	1	9,71,288,\$
1/4	1075	460	1	0.75		B	60°C	788A	Ball	7.5MFD-370V	11	9,26,38,71,288,\$
1/4	1075	460	1	1.0		F	70°C	FEH1026SF	Ball	7.5MFD/370V	16	311,370,\$ HeatMaster
1/4	1625	208-230	2	1.7	2.5	B	60°C	FSE1024	Sleeve	5MFD-370V	6	9,71,288,\$
1/3	825	208-230	1	2.1		F	70°C	FE1038SF	Ball	7.5MFD/370V	9	311,370,\$ HeatMaster
1/3	825	208-230	1	2.3		B	60°C	740	Sleeve	7.5MFD-370V	7	1,10,308,278,\$
1/3	825	208-230	1	2.1		F	70°C	FSE1038SF	Sleeve	7.5MFD/370V	9	40,370,\$ HeatMaster
1/3	1075	208-230	1	2.8		F	70°C	FE1036SF	Ball	7.5MFD/370V	8	311,370,\$ HeatMaster
1/3	1075	208-230	1	1.8	2.8	B	60°C	FSE1036SV1	Sleeve	7.5MFD/370V	3	9,308,281,\$
1/3	1075	208-230	1	2.8		F	70°C	FSE1036SF	Sleeve	7.5MFD/370V	8	40,281,\$ HeatMaster
1/3	1075	208-230	2	1.8	2.8	B	60°C	FE1036	Ball	7.5MFD-370V	14	9,71,288,\$
1/3	1075	208-230	2	1.8	2.8	B	60°C	FSE1036	Sleeve	7.5MFD/370V	2	9,71,288,\$
1/3-1/4	1075	208-230	2	2.0-1.3		B	60°C	568	Sleeve	7.5MFD/370V	5	1,10,\$
1/3	1075	460	1	1.3		F	70°C	FEH1036SF	Ball	7.5MFD/370V	17	311,370,\$ HeatMaster
1/3	1075	460	1	1.0		B	60°C	789A	Ball	7.5MFD-370V	12	10,26,38,71,288,\$ New!
1/3	1100	575	1	0.75	0.8	B	60°C	5FE1036S	Ball	7.5MFD-440V	13	9,98,311,277,\$
1/2	825	208-230	1	2.5		F	70°C	FE1058SF	Ball	10MFD/370V	10	311,370,\$ HeatMaster
1/2	825	208-230	1	2.5		F	70°C	FSE1058SF	Sleeve	10MFD/370V	10	40,370,\$ HeatMaster
1/2	1075	208-230	1	4.0		F	70°C	FE1056SF	Ball	10MFD/370V	15	311,370,\$ HeatMaster
1/2	1075	208-230	1	2.8	4.0	B	60°C	FSE1056SV1	Sleeve	10MFD/370V	14	9,308,281,\$

Notes:

- Item to be discontinued when stock is depleted
- Reversing Plug
- Reversible. Quick connect terminals
- Includes conduit box, mounting screws, gasket, shipped detached
- Four mounting holes in shell
- No hubs on either end
- 1/2" hub on shaft end and slinger
- 40" leads
- 36" leads
- 26" leads (minimum)
- 1/2" hub on shaft end frame with slinger. Grommet on lead exits.
- 1/2" dia. shaft, single flat
- 48" leads



Approximate Dimensions

Ref.	BM	C	N	T	T1
1	4.36	10.36	6.00	.56	.88
2	4.86	10.86	6.00	.56	.88
3	4.86	11.30	6.44	.56	.88
4	5.36	11.80	6.44	.56	.88
5	4.50	10.52	6.02	.55	1.84
6	4.61	10.61	6.00	.56	.88
7	5.00	11.02	6.02	.55	1.35
8	4.86	11.36	6.50	.88	1.12
9	5.11	11.61	6.50	.88	1.12
10	5.61	12.11	6.50	.88	1.12
11	4.99	11.05	6.06	—	.49
12	5.24	11.30	6.06	—	.49
13	5.36	11.86	6.50	.56	.88
14	5.11	11.11	6.00	.56	.88
15	5.36	11.86	6.50	.88	1.12
16	4.74	11.24	6.50	.88	1.12
17	5.24	11.74	6.50	.88	1.12