

PRODUCT INFORMATION PACKET



Model No: 391A
Catalog No: 391A

Fan and Blower Motor, 1/4,1/5,1/7 HP, 1 Ph, 60 Hz, 208-230 V, 1050 RPM, 3 Speed, 42 Frame, OAO



Regal and Century are trademarks of Regal Rexnord Corporation or one of its affiliated companies.
©2024 Regal Rexnord Corporation. All Rights Reserved. MC017097E





Nameplate Specifications

Phase	1	Output HP	1/4,1/5,1/7 Hp
Voltage	208-230 V	Speed	1050 rpm
Service Factor	1.0	Frame	42
Enclosure	Open Air Over	Thermal Protection	Thermally Protected
Ambient Temperature	40 °C	Frequency	60 Hz
Current	1.7,1.3,1.15 A	Duty	Air Over
Insulation Class	B	UL	Recognized
CSA	Y	CE	N
Number of Speeds	3		

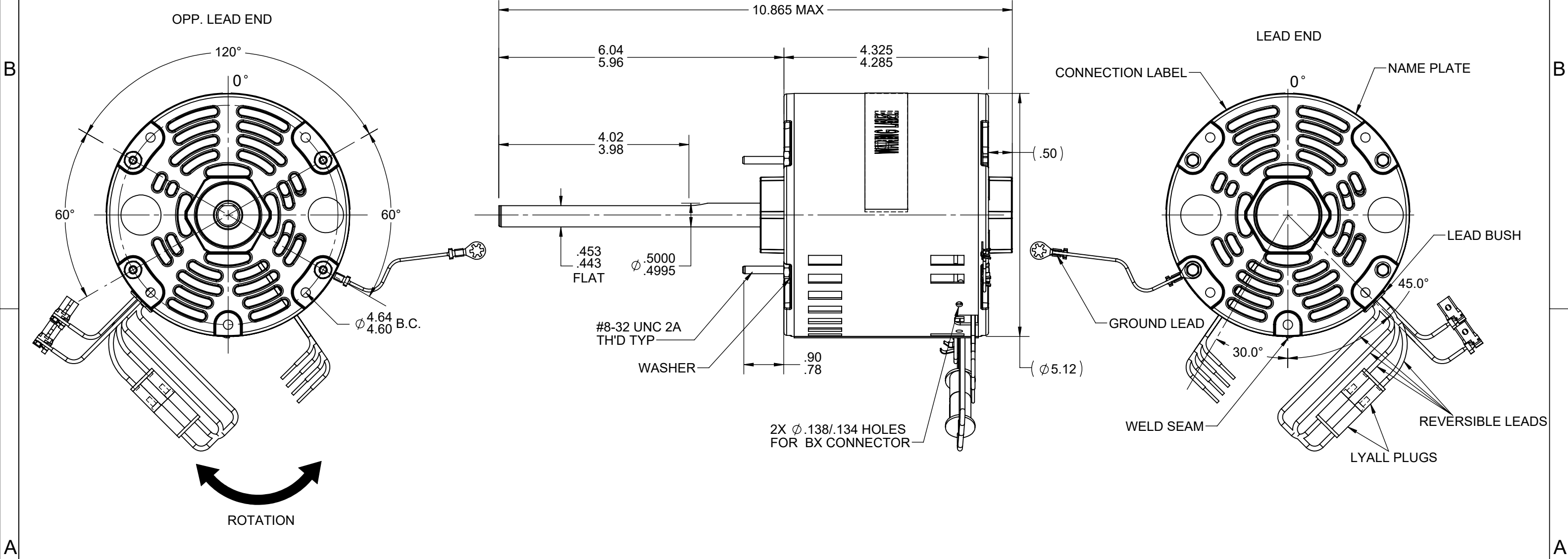
Technical Specifications

Electrical Type	Permanent Split Capacitor	Starting Method	Across The Line
Poles	6	Rotation	Reversible
Mounting	Extended Studs	Drive End Bearing	Ball
Opp Drive End Bearing	Ball	Frame Material	Rolled Steel
Shaft Type	Flat	Frame Length	4.33 in
Shaft Diameter	0.500 in	Shaft Extension	6.0 in
Outline Drawing	71870478R		

This is an uncontrolled document once printed or downloaded and is subject to change without notice. Date Created:07/03/2024

S.NO	CONNECTION	COLOR	EXIT TYPE	EXIT LOC (VIEWING LE)	GAGE	MATERIAL	WALL THK.	LENGTH (+1.50)	TERMINATION
1	COMMON LEAD	WHITE	SHELL NOTCH	7:00	18	XLPE	4/64	31.00	.50 BWS
2	CAPACITOR LEAD	BROWN	LEAD BUSH	4:30	18	XLPE	2/64	13.00	.25 FQC
3	CAPACITOR LEAD	BRN/WHT	LEAD BUSH	4:30	18	XLPE	2/64	13.00	.25 FQC
4	HIGH SPEED LEAD	BLACK	SHELL NOTCH	7:00	18	XLPE	4/64	31.00	.50 BWS
5	MEDIUM SPEED LEAD	BLUE	SHELL NOTCH	7:00	18	XLPE	4/64	31.00	.50 BWS
6	LOW SPEED LEAD	RED	SHELL NOTCH	7:00	18	XLPE	4/64	31.00	.50 BWS
7	REVERSIBLE LEAD	ORANGE	LEAD BUSH	4:30	18	XLPE	2/64	4.00	LYALL PLUG
8	REVERSIBLE LEAD	YELLOW	LEAD BUSH	4:30	18	XLPE	2/64	4.00	LYALL PLUG
9	REVERSIBLE LEAD	ORANGE	LEAD BUSH	4:30	18	XLPE	2/64	4.00	LYALL PLUG
10	REVERSIBLE LEAD	YELLOW	LEAD BUSH	4:30	18	XLPE	2/64	4.00	LYALL PLUG
11	GROUND LEAD	GRN-YEL	CLAMP SCREW	8:00	16	THERMOPLASTIC	2/64	12.00	# 10 SERR. EYELET

VENTILATION SYSTEM	
SHELL VENTS	PARTIAL OPEN
ENDSHIELD (OPP.LEAD END)	OPEN
ENDSHIELD (LEAD END)	OPEN



NAMEPLATE DATA	
MODEL	71870478R
CUST P/N	391A
HP	1/4-1/5-1/7
RPM	1050(3 SPD)
VOLTS	208-230
HZ	60
SPEED	3
AMPS	1.70-1.30-1.15
CAP REQ'D_1	7.5/370
CAP REQ'D_2	N/R
CONN. DWG	NP24X350526
ROTATION	REVERSIBLE

CCWLE	PLUG IN YELLOW LEAD AND ORANGE LEAD	
CWLE	PLUG IN ORANGE LEAD AND ORANGE LEAD	
DRAWING REVISION	REVISION BY	REV DATE/© DATE
B	BS	5/18/2023
REQUEST NUMBER	APPROVED BY	DATE
NMR-022556160	RS	5/18/2023
REQUEST NUMBER DESCRIPTION		
INITIAL SAMPLE REQ# 23-0724		
<small>COPYRIGHT (PER REVISION DATE) REGAL BELOIT AMERICA, INC. ALL RIGHTS RESERVED. PROPRIETARY AND CONFIDENTIAL INFORMATION - THIS DOCUMENT IS THE PROPERTY OF REGAL BELOIT AMERICA, INC. ("OWNER") AND CONTAINS OWNER'S PROPRIETARY INFORMATION. ANY PERSON, CORPORATION OR OTHER FIRM RECEIVING IT IS DEEMED, BY RECEIVING IT, TO AGREE THAT IT, AND/OR ANY PART OF IT, SHALL NOT BE DISCLOSED TO ANY PERSON, CORPORATION OR OTHER ENTITY, DUPLICATED, AND/OR USED, EXCEPT AS EXPRESSLY APPROVED IN WRITING IN ADVANCE BY OWNER. THIS DOCUMENT SHALL BE RETURNED TO OWNER UPON REQUEST. IT MAY BE SUBJECT TO CERTAIN RESTRICTIONS UNDER APPLICABLE EXPORT CONTROL LAWS AND REGULATIONS.</small>		

PRIMARY DIMENSIONS ARE INCH mm DIMENSIONS IN [BRACKETS] ARE FOR REFERENCE ONLY	DRAWN BY BS
	DATE 5/18/2023
	APPROVED BY RS
	DATE 5/18/2023
	REFERENCE
THIRD ANGLE PROJECTION	SIZE B

NOTE:

- NAMEPLATE LABEL LOCATION: 45° - CENTER - READ FROM LE WITH RESPECT TO MOTOR ZERO.
- MOTOR SHIPPED CONNECTED FOR CWLE ROTATION
- OVERLOAD PROTECTOR : AUTOMATIC RESET (7AM036).

Regal Beloit America, Inc.	
DESCRIPTION OUTLINE CUSTOMER NAME: DISTRIBUTION SERVICE	
MATERIAL	PROCESS/FINISH
DRAWING NUMBER 71870478R	SHEET 1 OF 1