

PRODUCT INFORMATION PACKET



Model No: 391
Catalog No: 391

Fan and Blower Motor, 1/4, 1/5, 1/7 HP, 1 Ph, 60 Hz, 208-230 V, 1050 RPM, 3 Speed, 42 Frame, OAO



Regal and Century are trademarks of Regal Rexnord Corporation or one of its affiliated companies.
©2023 Regal Rexnord Corporation, All Rights Reserved. MC017097E





Nameplate Specifications

Phase	1	Output HP	1/4, 1/5, 1/7 Hp
Output KW	0.19 kW	Voltage	208-230 V
Speed	1050 rpm	Service Factor	1
Frame	42	Enclosure	Open Air Over
Thermal Protection	Automatic	Ambient Temperature	40 °C
Frequency	60 Hz	Current	1.70, 1.31, 1.10 A
Duty	Air Over	Insulation Class	B
UL	Recognized	CSA	Y
CE	N	Number of Speeds	3

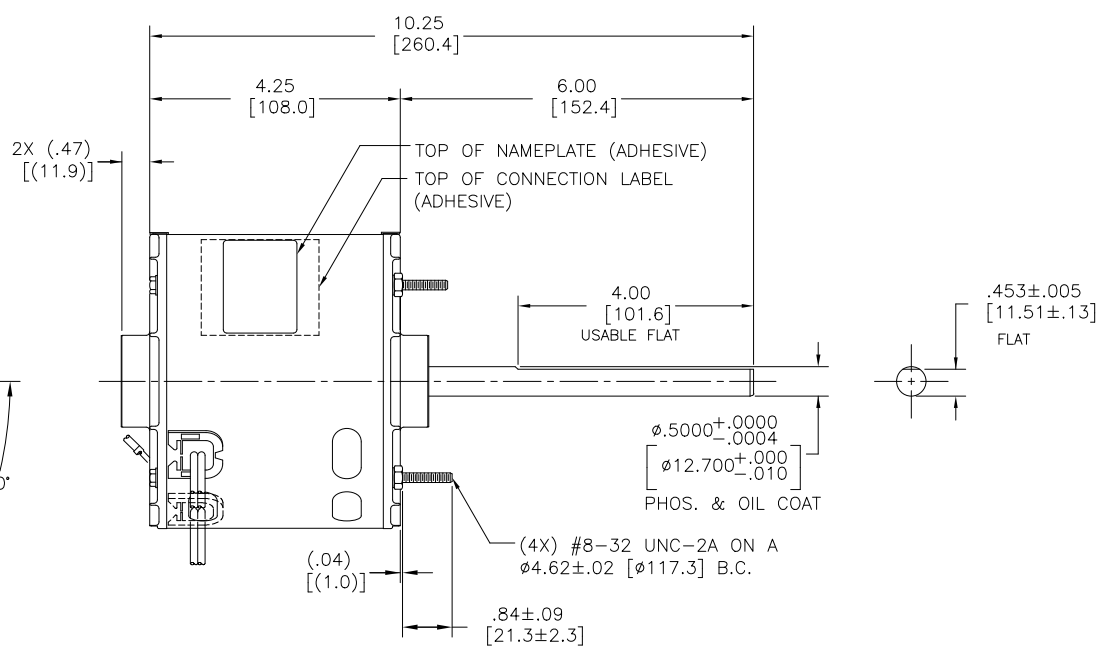
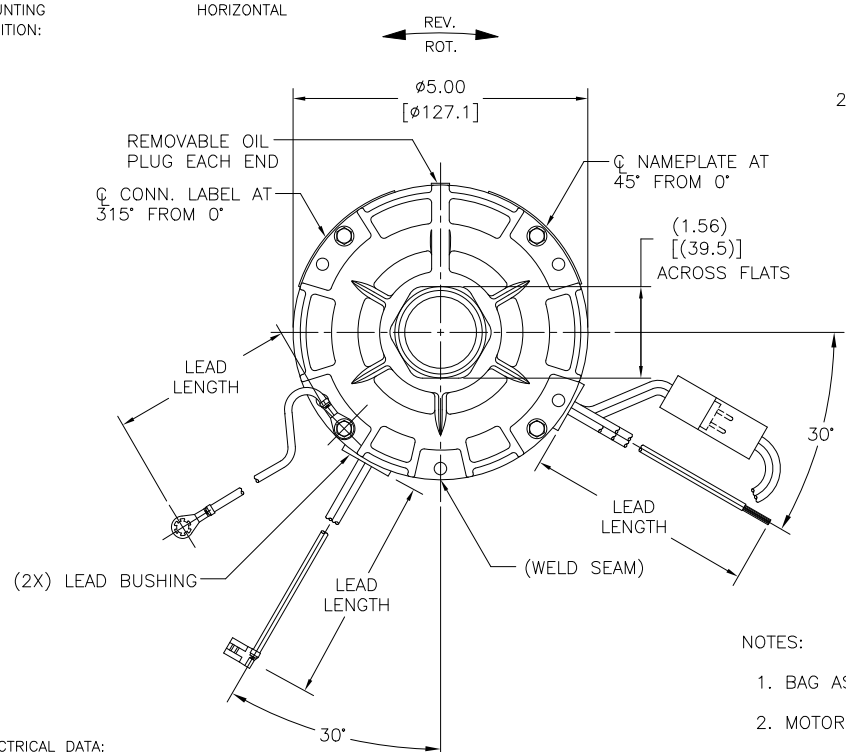
Technical Specifications

Electrical Type	Permanent Split Capacitor	Starting Method	Across The Line
Poles	6	Rotation	Reversible
Mounting	Resilient Ring/Extended Studs	Motor Orientation	Horizontal
Drive End Bearing	Sleeve	Opp Drive End Bearing	Sleeve
Frame Material	Rolled Steel	Shaft Type	Flat
Overall Length	10.72 in	Frame Length	3.67 in
Shaft Diameter	0.500 in	Shaft Extension	6 in
Outline Drawing	391-S01		

This is an uncontrolled document once printed or downloaded and is subject to change without notice. Date Created:05/03/2023

GENERAL INFORMATION:

SHAFT RUNOUT: .001 [.025] T.I.R. PER INCH LENGTH OF EXTENSION
 END PLAY: .005 TO .040 [.13 TO 1.02]
 BEARINGS: SLEEVE
 MOUNTING POSITION: HORIZONTAL



NOTES:

1. BAG ASSY 72T7176A-35 SHIPPED SEPARATELY.
2. MOTOR SHIPPED CONNECTED FOR CWLE ROTATION.

ELECTRICAL DATA:

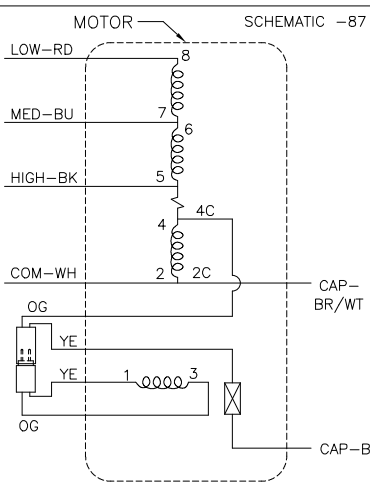
OVERLOAD PROTECTOR: AUTOMATIC RESET (SENSATA 7AM 093)
 LEADS: NO. 18 GA., .06 [1.5] THK. XLP 125°C INSUL.
 GROUND LEAD: NO. 16 GA., .03 [.8] THK. (GREEN/YELLOW) INSUL.

MAIN FRAME - OLE	SEMI-ENCL.
END FRAME - OLE	OPEN
MAIN FRAME - LE	SEMI-ENCL.
END FRAME - LE	OPEN
ENCLOSURE	

CCWLE	PLUG IN YELLOW LEAD TO ORANGE LEAD
CWLE	PLUG IN ORANGE LEAD TO ORANGE LEAD

CONNECTION LABEL 63T7432-18

COLOR	LENGTH	TERMINAL OR STRIP LENGTH
GREEN/YELLOW (GROUND)	12.0/14.0 [305/356]	#10 EYELET
YELLOW/ORANGE	3.0/5.0 [76/127]	REVERSING PLUG
BROWN	12.0/14.0 [305/356]	.25 [6.4] FLAG
BROWN/WHITE	12.0/14.0 [305/356]	.25 [6.4] FLAG
RED	30.0/32.0 [762/813]	.50 [12.7] SKIN
BLUE	30.0/32.0 [762/813]	.50 [12.7] SKIN
BLACK	30.0/32.0 [762/813]	.50 [12.7] SKIN
WHITE	30.0/32.0 [762/813]	.50 [12.7] SKIN



NAMEPLATE DATA:

Century™ Motor Tipp City, OH THERMALLY PROTECTED

SER. DATE & P0# PLT LTR MOD DE3H018N' STOCK NO. 391
 VOLTS 208-230 HZ 60 AMPS 1.70, 1.31, 1.10
 RPM 1050 SP 3 PH 1 CAP 7.5 MFD/370 VAC
 INS CL B AMB 40C HP 1/4 AO
 BRG SLV
 BK-HIGH 1.70A 1/4HP
 BU-MED 1.31A 1/5HP
 RD-LOW 1.10A 1/7HP
 WHT-COM BR & BR/WH-CAP

← ROTATION →
ASSEMBLED IN MEXICO

PERFORMANCE CURVE NO.	TORQUE @ 920 RPM (25°C)	APPROVED SAMPLE	UL COMPONENT		CSA	
			FILE #	CCN #	FILE #	CLASS #
-	273 OZ. IN.	S-773E	-	-	-	-

DRAWING REVISION: H
 ECD
 ECR-0223941
 ECO DESCRIPTION
 CORRECTED TITLE BLOCK

REVISION BY: J. RUPERT
 APPROVED BY: J. RUPERT
 DATE: 02-21-2023
 DATE: 02-21-2023

DATE: 02-21-2023

THIRD ANGLE PROJECTION

DRAWN BY: TLB
 DATE: 12-07-2000
 APPROVED BY: TDK
 DATE: 12-08-2000
 REFERENCE:

REGAL Regal Beloit America, Inc.
 DESCRIPTION: MODEL-RFHP-42FR OUTLE
 MATERIAL: PROCESS/FINISH

SIZE: C DWG NO: 391 SHEET: 1