

PRODUCT INFORMATION PACKET



Model No: 360

Catalog No: 360

Unit Heater Motor, 1/6 HP, 1 Ph, 60 Hz, 115 V, 1075 RPM, 1 Speed, 42 Frame, TEAO



Regal and Century are trademarks of Regal Rexnord Corporation or one of its affiliated companies.
©2022 Regal Rexnord Corporation, All Rights Reserved. MC017097E





Nameplate Specifications

Output HP	1/6 Hp	Output KW	0.13 kW
Frequency	60 Hz	Voltage	115 V
Current	2.6 A	Speed	1075 rpm
Service Factor	1	Phase	1
Duty	Continuous Air Over	Insulation Class	A
Frame	42	Enclosure	Totally Enclosed Air Over
Thermal Protection	Automatic	Ambient Temperature	40 °C
UL	Recognized	CSA	Y
CE	N	Number of Speeds	1

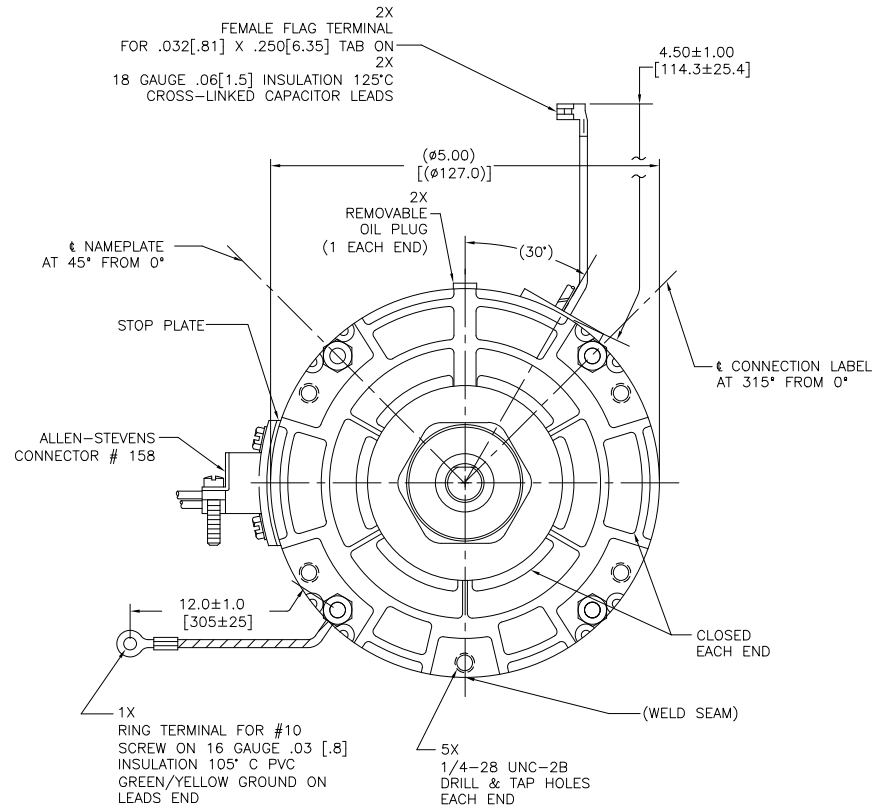
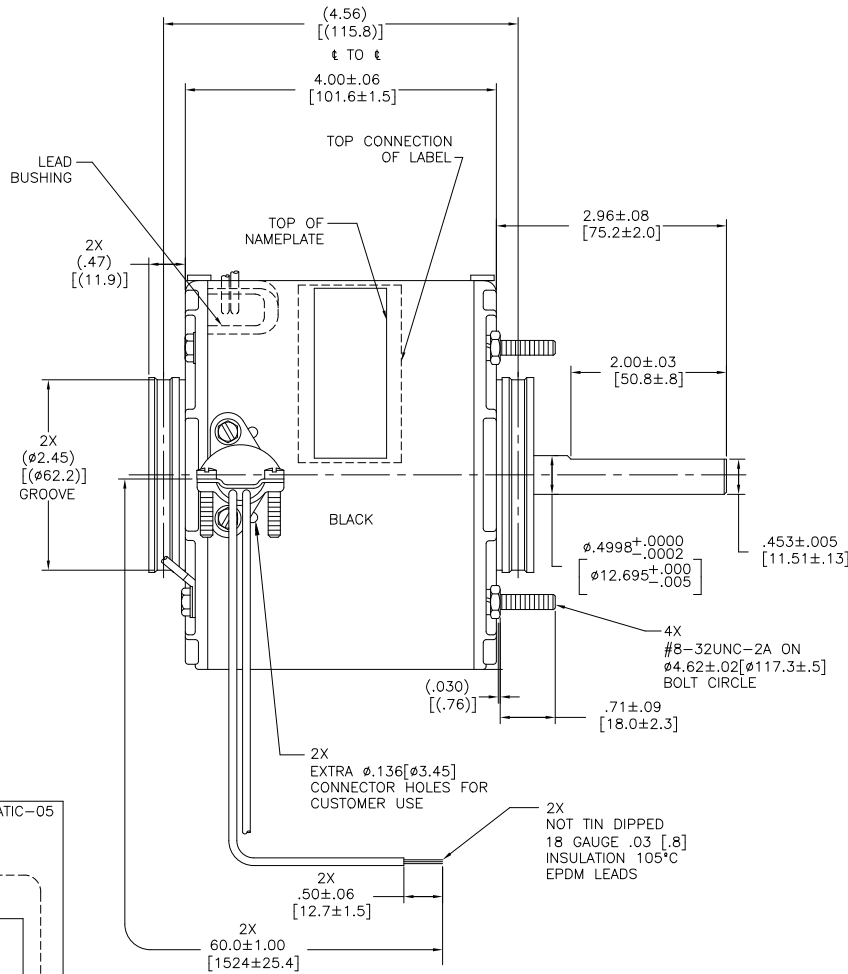
Technical Specifications

Electrical Type	Permanent Split Capacitor	Starting Method	Across The Line
Poles	6	Rotation	Clockwise Shaft End
Mounting	Resilient Rings	Motor Orientation	Horizontal
Drive End Bearing	Sleeve	Opp Drive End Bearing	Sleeve
Frame Material	Rolled Steel	Shaft Type	Flat
Overall Length	7.43 in	Frame Length	3.42 in
Shaft Diameter	0.500 in	Shaft Extension	2.96 in
Outline Drawing	360-S01		

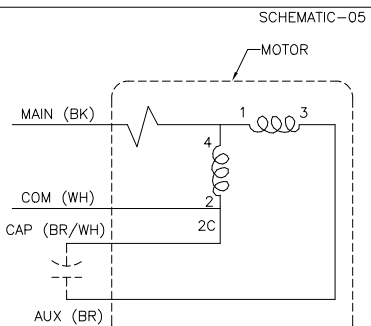
This is an uncontrolled document once printed or downloaded and is subject to change without notice. Date Created:11/29/2022

CUSTOMER IS SOLELY RESPONSIBLE FOR MOTOR PERFORMANCE AND SUITABILITY IN APPLICATIONS FOR CUSTOMER'S USES

END PLAY .005[.13] MINIMUM - .040[1.02] MAXIMUM
 MAXIMUM SHAFT RUN OUT .001[.03] PER INCH
 MAXIMUM SHAFT RUN OUT NOT TO EXCEED .010[.25]



SHIP SEPARATE:
 72T7176A-35
 BAG ASSEMBLY



CONNECTION LABEL
 6317432-3

ROT: CWSE-CWLE
 NAMEPLATE DATA:
Century Tipp City, OH THERMALLY PROTECTED
 SER. DATE & PO# PLT LTR MOD DE3P003N' SKT NO. 360
 VOLTS 115 HZ 60 AMPS 2.6
 RPM 1075 SP PH1 CAP 5MFD 370VAC
 INS CL AMB °C HP 1/6 CONT AO ← ROTATION ←
 BRG SLV ASSEMBLED IN MEXICO
 BK-MAIN WH-COM BR & BR/WH-CAP

ELECTRICALLY PER SAMPLE S-8419D-1

DRAWING REVISION RECORD BY: DATE: 09-06-2022 E: 09-06-2022 ECR-0220669 APPROVED BY: DATE: 09-06-2022 EOT DESIGNED BY: J.L. ROBERT REVISED FOR UP ISSUE	DRAWN BY: Regal Beloit America, Inc. DATE: APPROVED BY: DATE: REFERENCE: MATERIAL: PROCESS/FINISH:
PROPERTY OF CENTURY ELECTRIC, INC. ALL RIGHTS RESERVED. THIS DRAWING IS THE PROPERTY OF CENTURY ELECTRIC, INC. AND IS TO BE USED ONLY FOR THE PROJECT AND QUANTITY SPECIFIED IN THE ORDER. IT IS HEREBY AGREED THAT NO PART OF THIS DRAWING OR ANY INFORMATION CONTAINED HEREIN IS TO BE REPRODUCED OR TRANSMITTED IN ANY FORM OR BY ANY MEANS, ELECTRONIC OR MECHANICAL, INCLUDING PHOTOCOPYING, RECORDING, OR BY ANY INFORMATION STORAGE AND RETRIEVAL SYSTEM, WITHOUT THE WRITTEN PERMISSION OF CENTURY ELECTRIC, INC.	MODEL-RFHP-42FR OUTLINE SIZE: DWG NO: 360 SHEET: 1