

PRODUCT INFORMATION PACKET



Model No: 298
Catalog No: 298
75 WATT Refrigeration Motor, 1500 RPM, 230 Volts, Unit Bearing, TEAO
Unit Bearing Motors



Regal and Century are trademarks of Regal Rexnord Corporation or one of its affiliated companies.
©2021 Regal Rexnord Corporation, All Rights Reserved. MC017097E





Nameplate Specifications

| | | | |
|---------------------|----------------------------------|--------------------|----------------------------|
| Output Watts | 75 W | Frequency | 60 Hz |
| Voltage | 230 V | Current | 1.5 A |
| Speed | 1500 rpm | Service Factor | 1 |
| Phase | 1 | Duty | Continuous |
| Insulation Class | A | Frame | UNIT BEARING |
| Enclosure | Totally Enclosed Air Over | Thermal Protection | Thermally Protected |
| Ambient Temperature | 40 °C | UL | Recognized |
| CSA | Y | CE | N |
| Number of Speeds | 1 | | |

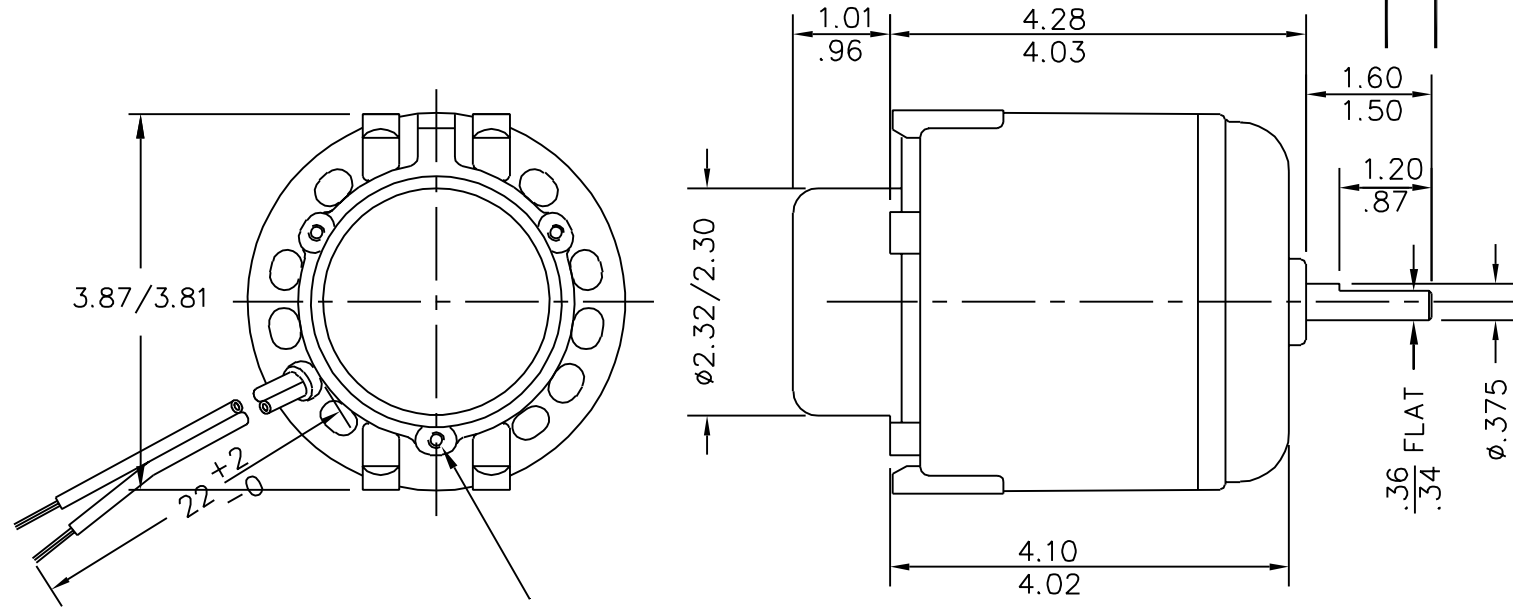
Technical Specifications

| | | | |
|-----------------------|---------------------------|-------------------|---------------------------|
| Electrical Type | Shaded Pole | Starting Method | Across The Line |
| Poles | 4 | Rotation | Clockwise Lead End |
| Mounting | 2 BOSS/OSE 3 HOLES | Drive End Bearing | Unit |
| Opp Drive End Bearing | Unit | Frame Material | Cast Iron |
| Shaft Type | Flat | Frame Length | 5.29 in |
| Shaft Diameter | 0.375 in | Shaft Extension | 1.6 in |
| Outline Drawing | 298-S01 | | |

This is an uncontrolled document once printed or downloaded and is subject to change without notice. Date Created:10/07/2021

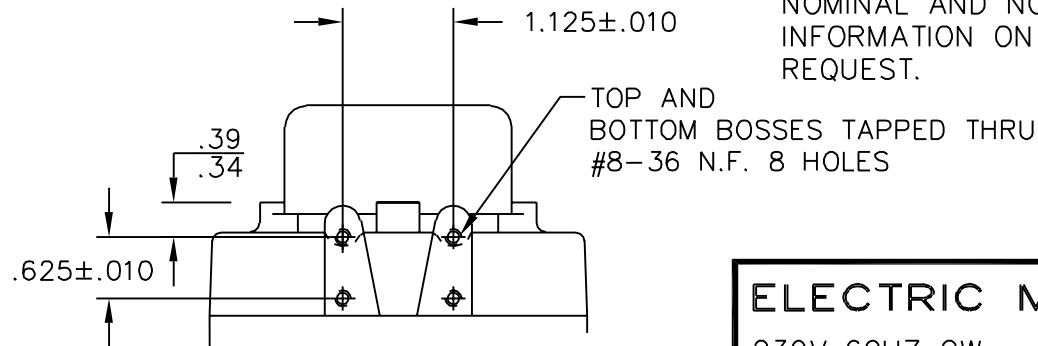
NO. A-23667

| NO. | REVISIONS | DATE AND SIGNATURE |
|-----|--------------------------|--------------------|
| 1 | LEAD WAS (2) #10 EYELETS | 7-6-98 |
| 2 | CUST NAME WAS MAGNETEK | 6-7-02 |



3 #8-36 TAPPED HOLES
SPACED 120° APART ON A
2.813 DIA. CENTER LINE.

OUTLINE DIMENSIONS ON WHICH NO LIMIT IS SPECIFIED ARE NOMINAL AND NOT GUARANTEED AS TO TOLERANCE. ADDITIONAL INFORMATION ON TOLERANCE WILL BE FURNISHED ON SPECIFIC REQUEST.



TOLERANCE
.0000=±.0002 .000=±.005
.00=±.010 FRACTION=±1/64
0°=±30' 0'0°=±5' 0'0'0°=REF. ONLY
ABOVE TOLERANCES APPLY UNLESS
OTHERWISE SPECIFIED TOLERANCES
ARE NOT ACCUMULATIVE.

| | | | |
|---|-----------------|--------------------------|---------------------|
| ELECTRIC MOTORS AND SPECIALTIES INC. | | | |
| 230V 60HZ CW | | GARRETT, INDIANA 46738 | |
| FIRST MADE FOR ESP-OL75EM2 A.O. SMITH | | MATERIAL CUST NO. 298 | |
| DRAWN BY JIM NICHTER | DATE 7-11-96 | SCALE 1/2 SIZE | APPROVED BY DATE |
| TITLE MOTOR OUTLINE | | | NO. A-23667 |