

PRODUCT INFORMATION PACKET



Model No: 277
Catalog No: 277
15 WATT Refrigeration Motor, 1500 RPM, 115 Volts, Unit Bearing, TEAO



Regal and Century are trademarks of Regal Rexnord Corporation or one of its affiliated companies.
©2022 Regal Rexnord Corporation, All Rights Reserved. MC017097E





Nameplate Specifications

Output Watts	15 W	Frequency	60 Hz
Voltage	115 V	Current	0.6 A
Speed	1500 rpm	Service Factor	1
Phase	1	Duty	Continuous
Insulation Class	A	Frame	UNIT BEARING
Enclosure	Totally Enclosed Air Over	Thermal Protection	Thermally Protected
Ambient Temperature	40 °C	UL	Recognized
CSA	Y	CE	N
Number of Speeds	1		

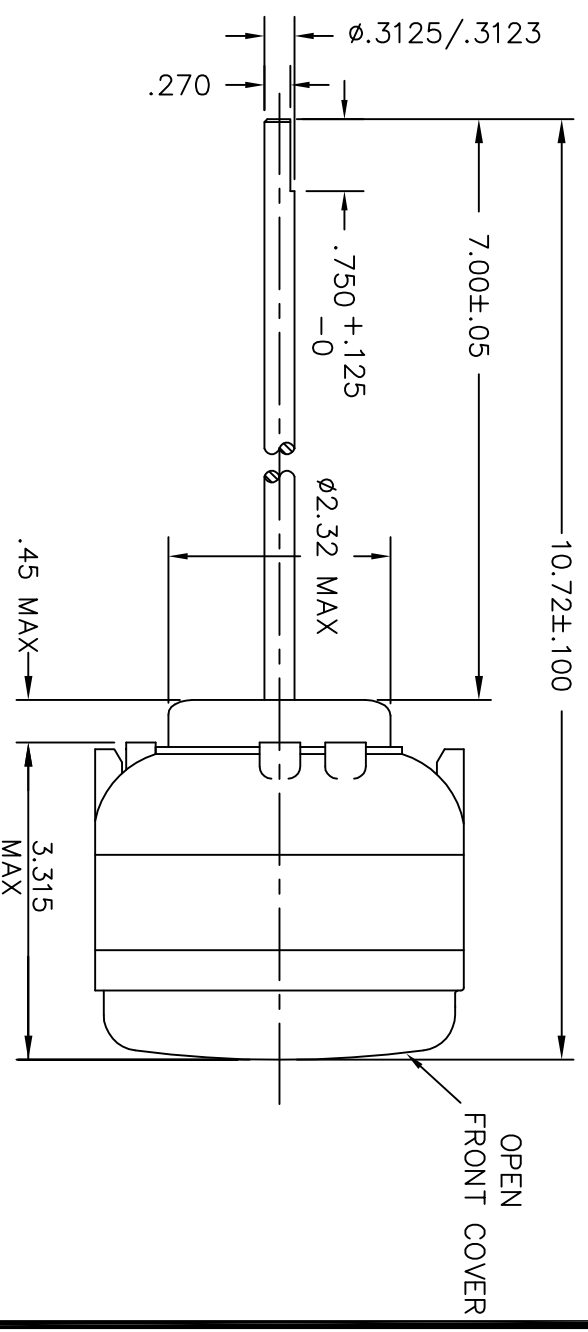
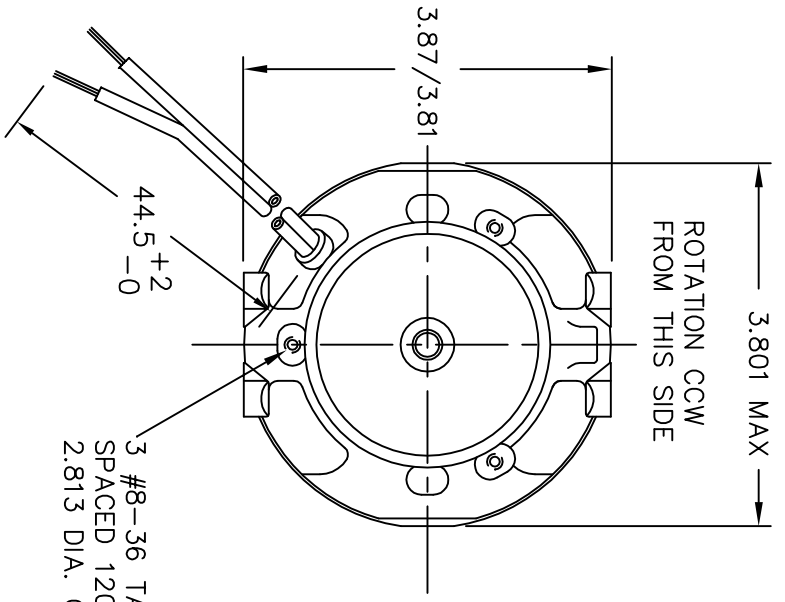
Technical Specifications

Electrical Type	Shaded Pole	Starting Method	Across The Line
Poles	4	Rotation	Counterclockwise Lead End
Mounting	2 BOSS/OSE 3 HOLES	Drive End Bearing	Unit
Opp Drive End Bearing	Unit	Frame Material	Cast Iron
Shaft Type	Flat	Frame Length	3.77 in
Shaft Diameter	0.312 in	Shaft Extension	7 in
Outline Drawing	277-S01		

This is an uncontrolled document once printed or downloaded and is subject to change without notice. Date Created:11/29/2022

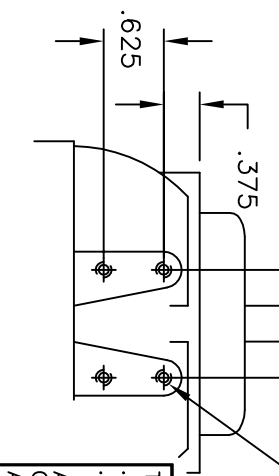
NO. A-23169

NO.	REVISIONS	DATE AND SIGNATURE
4	REMOVED 60/50HZ	6-11-02
5	ADDED MAX DIM'S	2-2-04
6	WAS A.O. SMITH	8-31-11



OUTLINE DIMENSIONS ON WHICH NO LIMIT IS SPECIFIED ARE NOMINAL AND NOT GUARANTEED AS TO TOLERANCE. ADDITIONAL INFORMATION ON TOLERANCES WILL BE FURNISHED ON SPECIFIC REQUEST.

"M" MOUNTING TOP & BOTTOM BOSSES TAPPED #8-36 N.F. 8 HOLES TOTAL .375 MIN. DEPTH.



TOLERANCE
 .0000±.0002 .000±.005
 .00±.010 FRACTION=±1/64
 0°±.30' 0°±.5' 0°0'0"=REF. ONLY
 ABOVE TOLERANCES APPLY UNLESS OTHERWISE SPECIFIED TOLERANCES ARE NOT ACCUMULATIVE.

ELECTRIC MOTORS AND SPECIALTIES INC.		GARRETT, INDIANA 46738	
115V 60HZ CCW			
FIRST MADE FOR	ESP-OL15EMJR11 Regal Beloit EPC		
DRAWN BY	DATE	MATERIAL	CUST NO.
JIM NICHTER	8-15-94	SCALE	1/2 SIZE
TITLE		APPROVED BY	
MOTOR OUTLINE		NO. A-23169	