

# PRODUCT INFORMATION PACKET



Model No: 259  
Catalog No: 259  
50 WATT Refrigeration Motor, 1500 RPM, 115 Volts, Unit Bearing, TEAO  
Unit Bearing Motors



Regal and Century are trademarks of Regal Rexnord Corporation or one of its affiliated companies.  
©2021 Regal Rexnord Corporation, All Rights Reserved. MC017097E





**Nameplate Specifications**

Output Watts	<b>50 W</b>	Frequency	<b>60 Hz</b>
Voltage	<b>115 V</b>	Current	<b>1.7 A</b>
Speed	<b>1500 rpm</b>	Service Factor	<b>1</b>
Phase	<b>1</b>	Duty	<b>Continuous</b>
Insulation Class	<b>A</b>	Frame	<b>UNIT BEARING</b>
Enclosure	<b>Totally Enclosed Air Over</b>	Thermal Protection	<b>Thermally Protected</b>
Ambient Temperature	<b>40 °C</b>	UL	<b>Recognized</b>
CSA	<b>Y</b>	CE	<b>N</b>
Number of Speeds	<b>1</b>		

**Technical Specifications**

Electrical Type	<b>Shaded Pole</b>	Starting Method	<b>Across The Line</b>
Poles	<b>4</b>	Rotation	<b>Counterclockwise Lead End</b>
Mounting	<b>2 BOSS/OSE 3 HOLES</b>	Drive End Bearing	<b>Unit</b>
Opp Drive End Bearing	<b>Unit</b>	Frame Material	<b>Cast Iron</b>
Shaft Type	<b>Flat</b>	Frame Length	<b>4.79 in</b>
Shaft Diameter	<b>0.375 in</b>	Shaft Extension	<b>1.6 in</b>
Outline Drawing	<b>259-S01</b>		

This is an uncontrolled document once printed or downloaded and is subject to change without notice. Date Created:10/07/2021

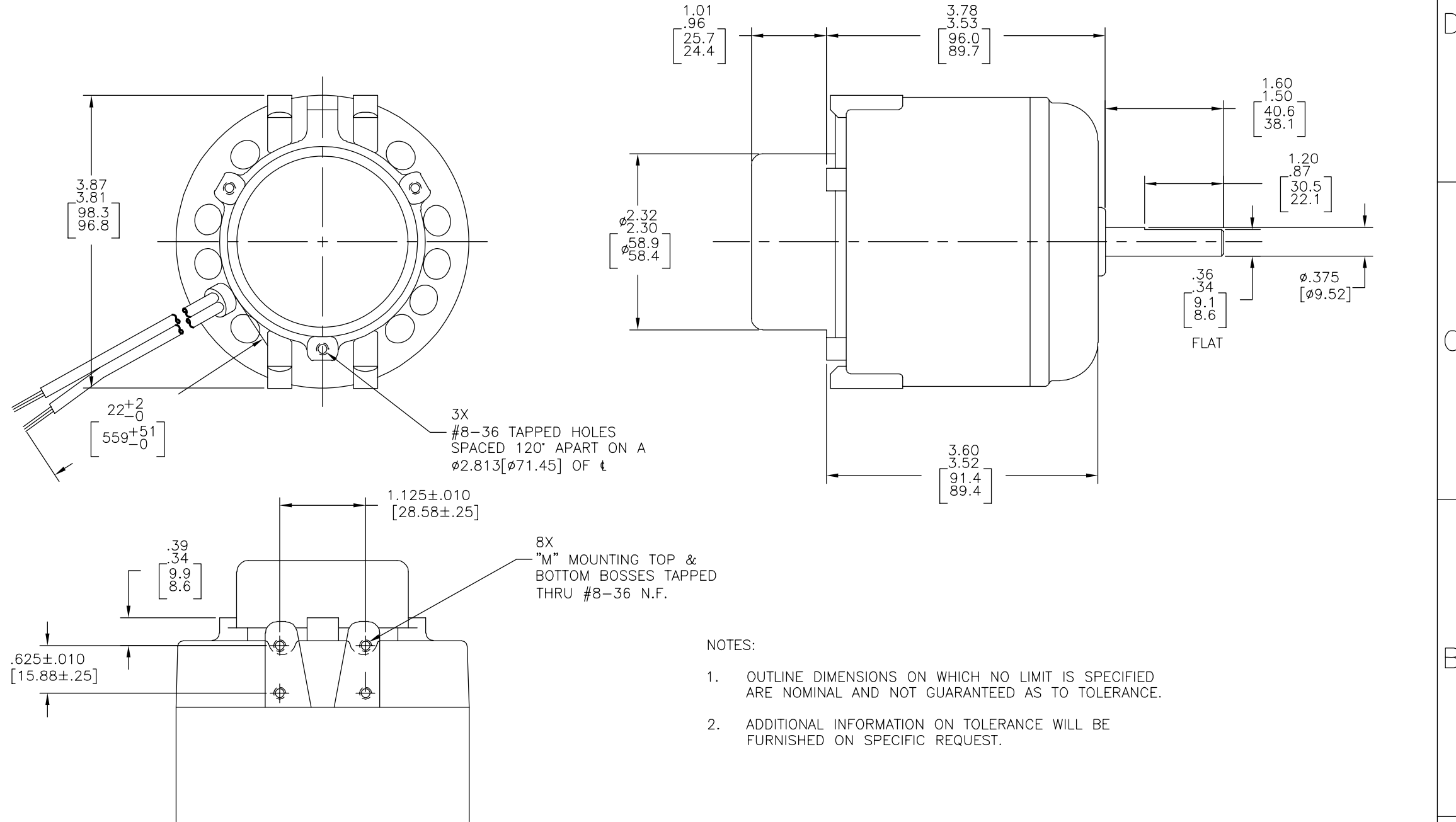
4

3

2

1

REV	ECO	REV BY	DATE	APPD	DATE
H	0025432	O. CARVAJAL	04-16-2012	D. BALDERRAMA	04-16-2012



- NOTES:
1. OUTLINE DIMENSIONS ON WHICH NO LIMIT IS SPECIFIED ARE NOMINAL AND NOT GUARANTEED AS TO TOLERANCE.
  2. ADDITIONAL INFORMATION ON TOLERANCE WILL BE FURNISHED ON SPECIFIC REQUEST.

ESP-OL50EMR1  
115V 60HZ CCW  
CUST NO. 259

GEOMETRIC CHARACTERISTICS & SYMBOLS

- FLATNESS
- STRAIGHTNESS
- ∠ ANGULARITY
- ⊥ PERPENDICULARITY (SQUARENESS)
- // PARALLELISM
- ROUNDNESS (CIRCULARITY)
- ⊘ CYLINDRICITY
- △ PROFILE OF ANY SURFACE
- ∩ PROFILE OF ANY LINE
- ↗ RUNOUT
- ⊕ TRUE POSITION
- ◎ CONCENTRICITY
- ≡ SYMMETRY

ASME Y14.5M 1994

UNLESS OTHERWISE SPECIFIED  
DIM. TOLERANCES ARE AS FOLLOWS:

INCH	X	XX	XXX	XXXX
	±.1	±.02	±.005	±.0005
mm	±0.5	±0.13	±0.013	

ANG. ±.50 DEG  
REMOVE BURRS & BREAK SHARP EDGES:  
INCH .003-.015 mm 0.1-0.4  
CORNER FILLETS TO:  
INCH .020 mm 0.5  
MACHINE SURFACES:  
INCH 125 mm 3.2

METRIC DIMS. SHOWN IN [BRACKETS]

DR BY:	J. NICTER	03-24-1993
APPD:		
THIRD ANGLE PROJECTION	EDS DATE 11-11-2011	FORMAT REV G
CONFIDENTIAL: THIS DRAWING AND ITS INFORMATION ARE THE EXCLUSIVE AND CONFIDENTIAL PROPERTY OF REGAL-BELOIT CORPORATION AND ARE NOT TO BE DISCLOSED, DUPLICATED, DISTRIBUTED OR OTHERWISE USED WITHOUT THE WRITTEN CONSENT OF REGAL-BELOIT CORPORATION. -ALL RIGHTS RESERVED.		

DESCRIPTION <b>OUTLINE</b>	
SIZE C	DWG NO 259
SCALE NONE	SHEET 1

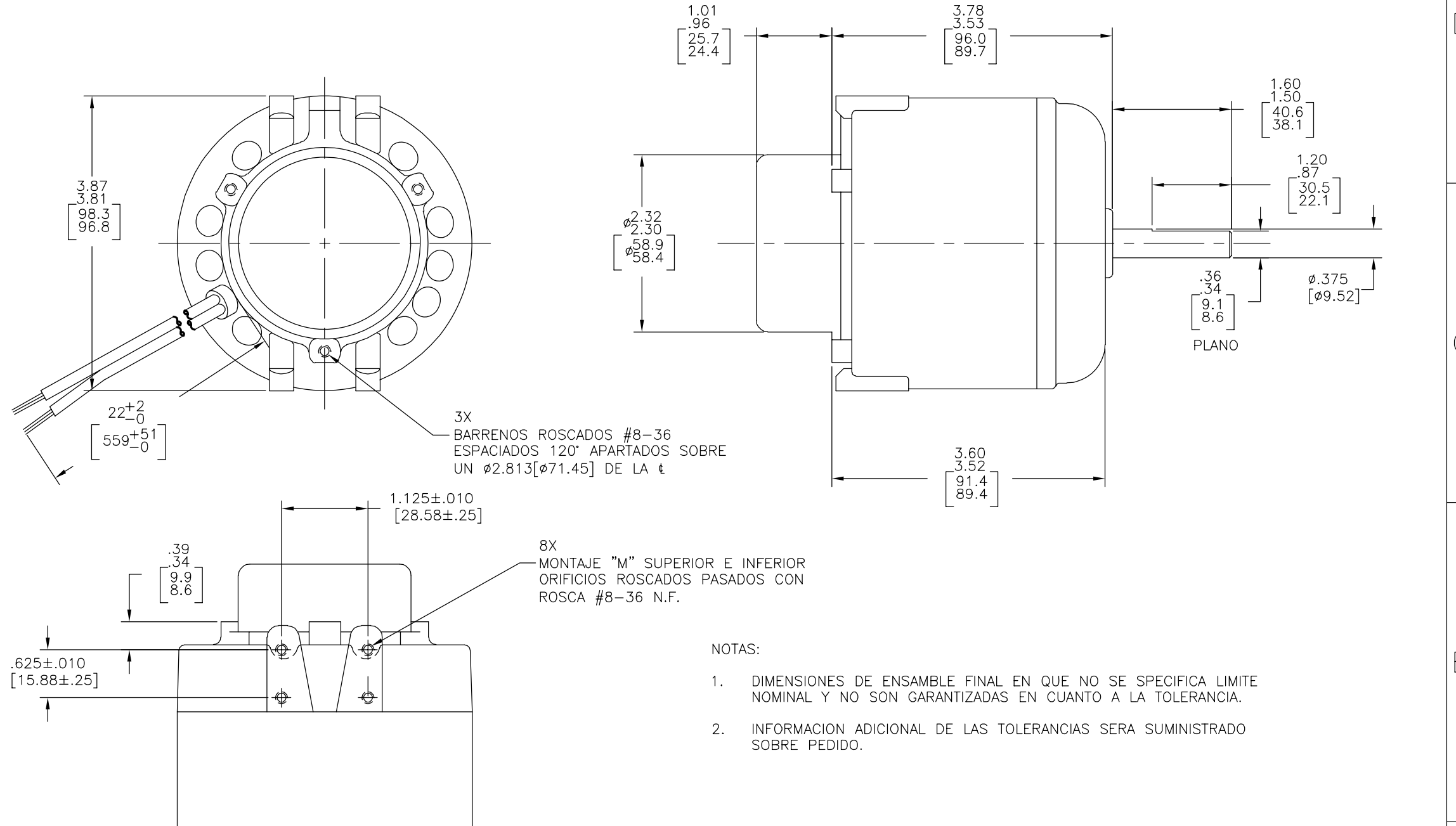
4

3

2

1

REVISION:	ECO	REVISADO POR:	FECHA:	APROBADO POR:	FECHA:
H	0025432	O. CARVAJAL	04-16-2012	D. BALDERRAMA	04-16-2012



ESP-OL50EMR1  
115V 60HZ CCW  
NUMERO DE  
CLIENTE 259

CARACTERISTICAS DE GEOMETRIA Y SIMBOLOS ▽ PLANICIDAD — RECTITUD < ANGULARIDAD ⊥ PERPENDICULARIDAD (A ESCUADRA) // PARALELISMO ○ REDONDEZ (CIRCULARIDAD) ∅ CILINDRICIDAD △ PERFIL DE CUALQUIER SUPERFICIE ▲ PERFIL DE CUALQUIER LINEA ↗ VARIACION ⊕ POSICION REAL ⊙ CONCENTRICIDAD = SIMETRIA	A MENOS QUE SE ESPECIFIQUE DE OTRA MANERA, LAS TOLERANCIAS DE LAS DIMS; SON LAS SIGUIENTES: PULG ±.1 ±.02 ±.005 ±.0005 mm ±0.5 ±0.13 ±0.013 ANG. ±50 GRADOS ELIMINAR REBABAS Y ORILLAS FILOSAS DEL BORDE. PULG .003-.015 mm 0.1-0.4 FILETEAR ESQUINA: PULG .020 mm 0.5 MAQUINAR SUPERFICIES PULG 125 mm 3.2	DIBUJADO POR: J. NICTER	03-24-1993		DESCRIPCION: OUTLINE
		APROBADO POR:			
ASME Y14.5M 1994 DIMS METRICAS MOSTRADAS [PARENTESIS]		CONFIDENCIAL: ESTE DIBUJO Y SU INFORMACION SON PROPIEDAD DE USO EXCLUSIVO Y CONFIDENCIAL DE REGAL-BELOIT CORPORATION. Y NO DEBERAN SER REVELADOS, DUPLICADOS, DISTRIBUIDOS O USARSE DE OTRA MANERA SIN EL CONSENTIMIENTO ESCRITO DE REGAL-BELOIT CORPORATION. -TODOS LOS DERECHOS RESERVADOS.		TAMAÑO: C	NUMERO DE DIBUJO: 259
		ESCALA: NONE		HOJA: 1	

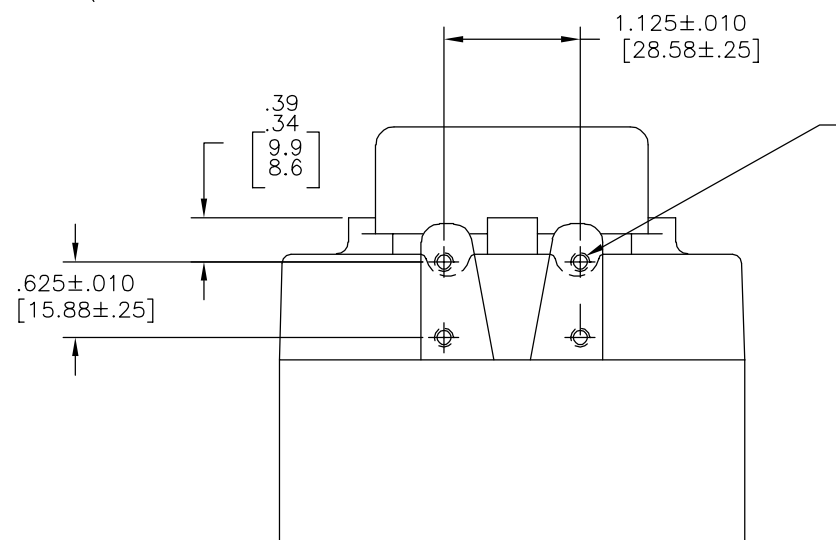
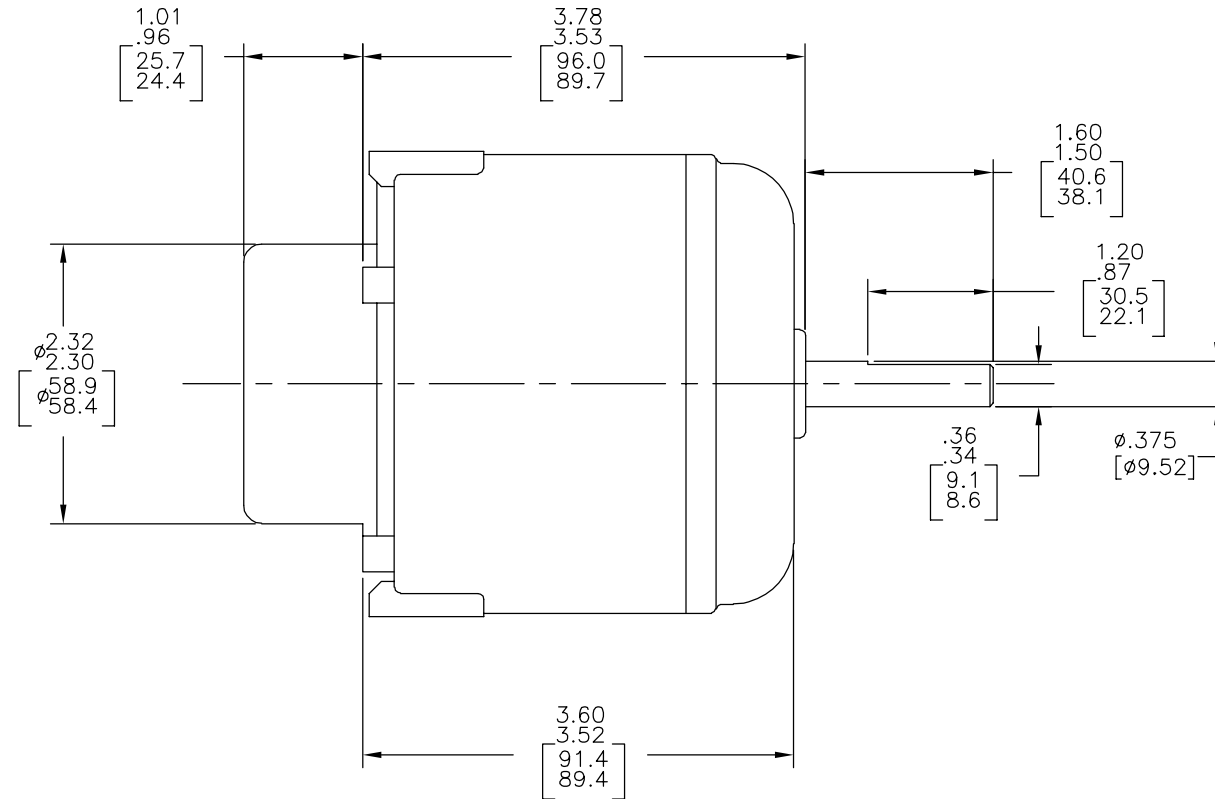
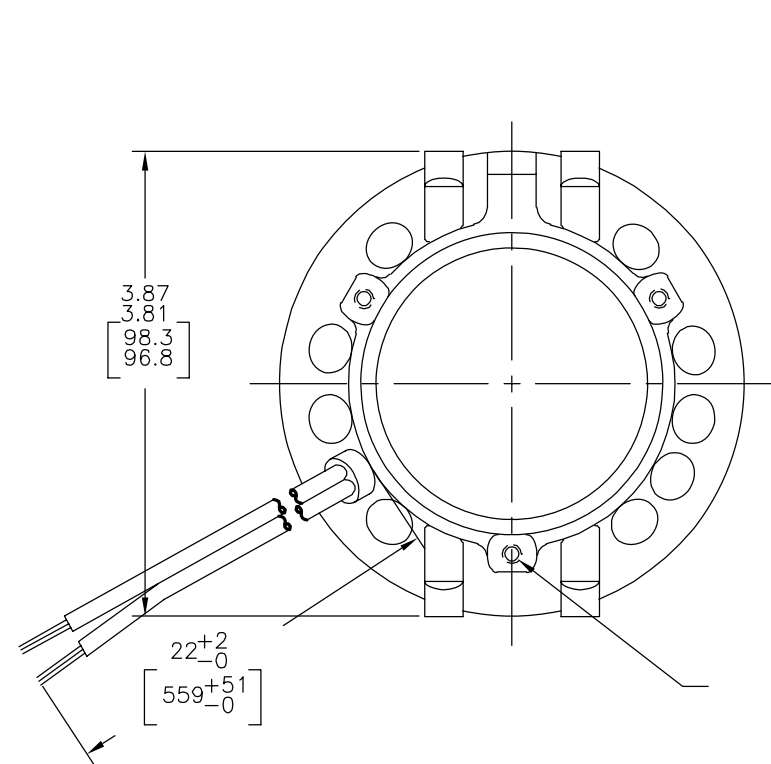
4

3

2

1

版本	ECO	编制	日期	批准	日期
H	0025432	O. CARVAJAL	04-16-2012	D. BALDERRAMA	04-16-2012



形位公差	除另有注明
□ 平面度	尺寸公差如下:
— 直线度	英寸 X XX XXX XXXX
∠ 倾斜度	毫米 ±.1 ±.02 ±.005 ±.0005
⊥ 垂直度	毫米 ±0.5 ±0.13 ±0.013
∥ 平行度	角度 ±.50 度
○ 圆度	清理毛刺和尖棱
⊘ 圆柱度	英寸 .003-.015 毫米 0.1-0.4
△ 面轮廓度	内圆角
∩ 线轮廓度	英寸 .020 毫米 0.5
⤴ 圆跳动	表面粗糙度
⊕ 位置度	英制 125 米制 3.2
⊗ 同轴度	米制尺寸显示在 [ ]

ASME Y14.5M 1994

绘图:	J. NICHTER	03-24-1993
批准:		
第三角投影		图纸格式发布日期 11-11-2011 图纸格式版本 G
机密: 本图纸及相关信息所有权归REGAL-BELOIT CORPORATION. 未经REGAL-BELOIT CORPORATION书面授权, 不得泄露、复制、传播或作其他用途。—版权所有		



名称	OUTLINE	
图幅	C	图号 259
比例	NONE	页号 1

4

3

2

1