

PRODUCT INFORMATION PACKET



Model No: 148A
Catalog No: 148A
1/3-1/4-1/6 HP Fan & Blower Motor, 1075 RPM, 3 Speed, 115 Volts, 48 Frame, Semi Enclosed
Fan and Blower Motors



Regal and Century are trademarks of Regal Rexnord Corporation or one of its affiliated companies.
©2021 Regal Rexnord Corporation, All Rights Reserved. MC017097E





Nameplate Specifications

Output HP	1/3,1/4,1/6 Hp	Output KW	0.25 kW
Frequency	60 Hz	Voltage	115 V
Current	5.3,3.9,3.0 A	Speed	1075 rpm
Service Factor	1	Phase	1
Duty	Air Over	Insulation Class	B
Frame	F48Y	Enclosure	Semi Enclosed
Thermal Protection	Automatic	Ambient Temperature	60 °C
UL	Recognized	CSA	Y
CE	N	Number of Speeds	3

Technical Specifications

Electrical Type	Permanent Split Capacitor	Starting Method	Across The Line
Poles	6	Rotation	Reversible
Mounting	Resilient Ring/Extended Studs	Motor Orientation	Any
Drive End Bearing	Ball	Opp Drive End Bearing	Ball
Frame Material	Rolled Steel	Shaft Type	Flat
Overall Length	9.54 in	Frame Length	3.88 in
Shaft Diameter	0.500 in	Shaft Extension	4.55 in
Outline Drawing	F48Z23A01	Connection Drawing	614131-351

This is an uncontrolled document once printed or downloaded and is subject to change without notice. Date Created:10/07/2021

4

3

2

1

REV	ECO	REV BY	DATE	APPD	DATE
E	0025525	E.SINECIO	04-23-2012	R.RASCON	04-23-2012

GENERAL INFORMATION:

SHAFT RUNOUT: .001 [.03] T.I.R. PER INCH LENGTH OF EXTENSION

END PLAY: .010 TO .063 [.25 A 1.60]

BEARINGS: 201 BALL

MOUNTING POSITION: ALL ANGLE

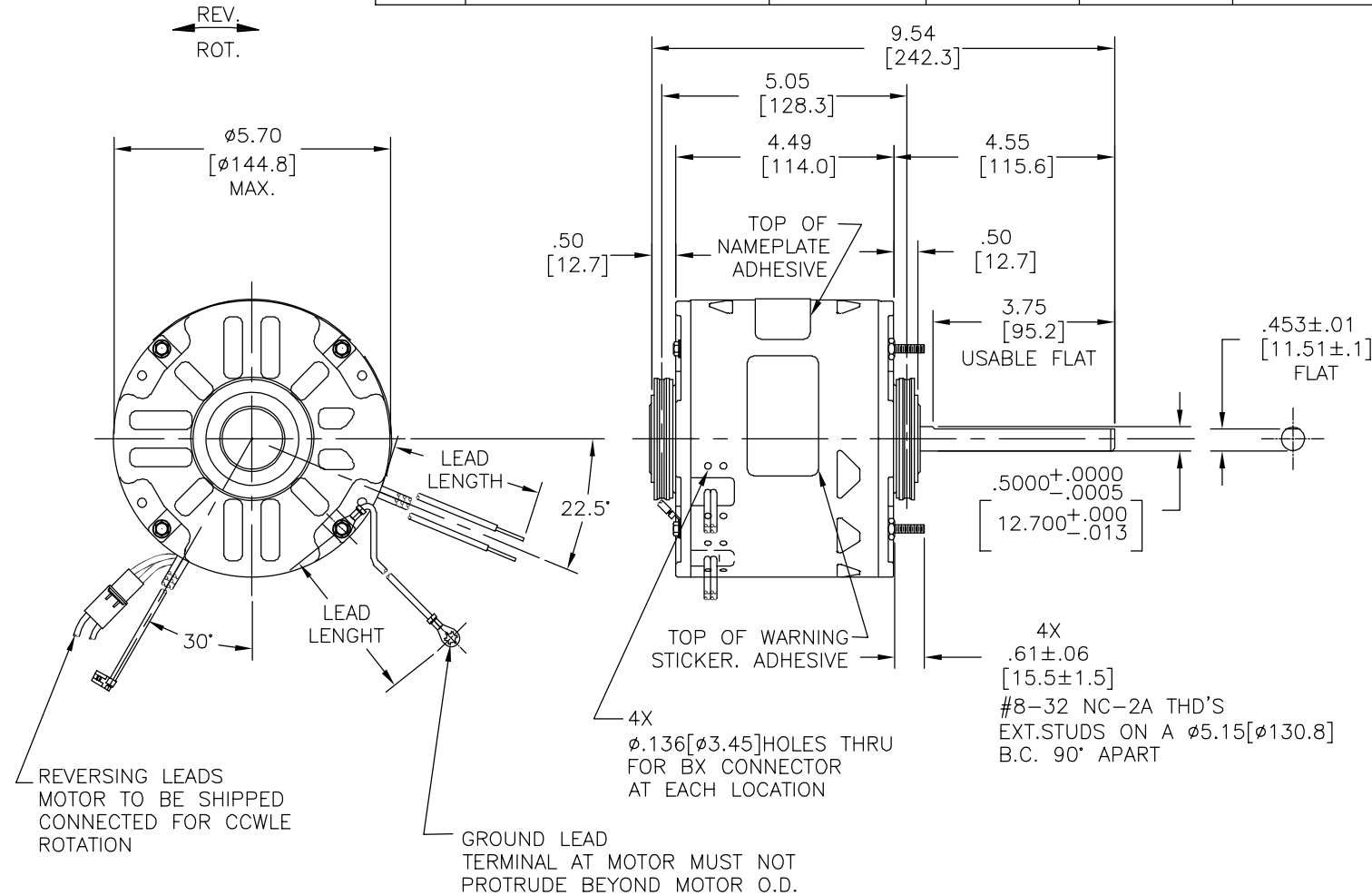
ELECTRICAL DATA:

OVERLOAD PROTECTOR: AUTOMATIC RESET (T.I. 7AM 036)

LEADS: NO. 18 GA., .06 [1.5] THK. PVC 105°C INSUL.

REVERSING LEADS: NO. 18 GA., .03 [.8] THK. 125°C INSUL.

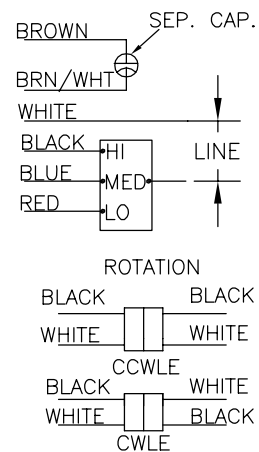
GROUND LEAD: NO. 18 GA., .03 [.8] THK. (GRN/YEL) INSUL.



NAMEPLATE DATA:

EXTERNAL CONNECTION DIAGRAM

MODEL NO.: F48Z23A01
 CUST. P/N: 148A
 HP: 1/3, 1/4, 1/6
 ROT.: REVERSIBLE
 RPM: 1075/3 SPD
 TYPE: UF
 FRAME: 48Y
 VOLTS: 115
 PH: 1
 AMPS: 5.3, 3.9, 3.0
 HZ: 60
 INS.: B
 AMB.: 60°C
 DUTY: AIR OVER
 CAP.: 5.0MFD/370V
 ENCL: SEMI-ENCL.
 UL LOGO
 CSA LOGO
 THERMALLY PROTECTED



614131-351

GRN/YEL(GRD)	11.0/13.0 [279/330]	#10 EYELET
BLACK/WHITE	5.0/7.0 [127/178]	REVERSING PLUG(MALE)
BLACK/WHITE	5.0/7.0 [127/178]	REVERSING PLUG(FEMALE)
BROWN	22.0/24.0 [559/610]	.25[6.4] FLAG
BROWN/WHITE	22.0/24.0 [559/610]	.25[6.4] FLAG
WHITE	22.0/24.0 [559/610]	.50[12.7] SKIN
BLACK	22.0/24.0 [559/610]	.50[12.7] SKIN
BLUE	22.0/24.0 [559/610]	.50[12.7] SKIN
RED	22.0/24.0 [559/610]	.50[12.7] SKIN
COLOR	LENGTH	TERMINAL OR STRIP LENGTH

MAIN FRAME - OLE	SEMI-ENCL
END FRAME - OLE	OPEN
MAIN FRAME - LE	SEMI-ENCL
END FRAME - LE	OPEN

CUSTOMER	DISTRIBUTION SERVICES
----------	-----------------------

PERFORMANCE CURVE NO.	TORQUE @ 1075 RPM (25°C)	APPROVED SAMPLE	UL COMPONENT FILE #	CCN #	CSA FILE #	CLASS #
C32692	34.1 OZ. FT.	0604310A	E46412	PRGY2	LR43341	4211-01

GEOMETRIC CHARACTERISTICS & SYMBOLS

- ▮ FLATNESS
- STRAIGHTNESS
- ∠ ANGULARITY
- ⊥ PERPENDICULARITY (SQUARENESS)
- // PARALLELISM
- ROUNDNESS (CIRCULARITY)
- ∅ CYLINDRICITY
- △ PROFILE OF ANY SURFACE
- ∧ PROFILE OF ANY LINE
- ↑ RUNOUT
- ⊕ TRUE POSITION
- ◎ CONCENTRICITY
- ≡ SYMMETRY

ASME Y14.5M 1994

REGAL-BELOIT CORPORATION (RBC) PROVIDES TECHNICAL ASSISTANCE TO OUR CUSTOMERS IN SEVERAL AREAS. SINCE RBC DOES NOT RECEIVE ALL DATA CONCERNING THE USE AND APPLICATION OF THE MOTOR, THE SUITABILITY OF THE MOTOR FOR THE APPLICATION MUST BE DETERMINED BY THE CUSTOMER.

DIMENSIONS WITHOUT TOLERANCES ARE FOR REFERENCE ONLY.

DR BY: Z.HONG 05-16-2007

APPD:

THIRD ANGLE PROJECTION

EDS DATE 02-22-2008
 FORMAT REV G

CONFIDENTIAL: THIS DRAWING AND ITS INFORMATION ARE THE EXCLUSIVE AND CONFIDENTIAL PROPERTY OF REGAL-BELOIT CORPORATION AND ARE NOT TO BE DISCLOSED, DUPLICATED, DISTRIBUTED OR OTHERWISE USED WITHOUT THE WRITTEN CONSENT OF REGAL-BELOIT CORPORATION. -ALL RIGHTS RESERVED.



DESCRIPTION: MODEL-RFHP-48FR OUTLINE

SIZE: C DWG NO: F48Z23A01

SCALE: NONE SHEET: 1

4

3

2

1

4

3

2

1

REVISION:	ECO	REVISADO POR:	FECHA:	APROBADO POR:	FECHA:
E	0025525	E.SINECIO	04-23-2012	R.RASCON	04-23-2012

INFORMACION GENERAL:

OSCILACION DE FLECHA: .001[.03] L.T.I. POR PULGADA DE LONG. DE EXTENCION.

JUEGO AXIAL: .010 A .063 [.25 A 1.60]

BALEROS: 201 BALL

POSICION DEL MONTAJE: HORIZONTAL

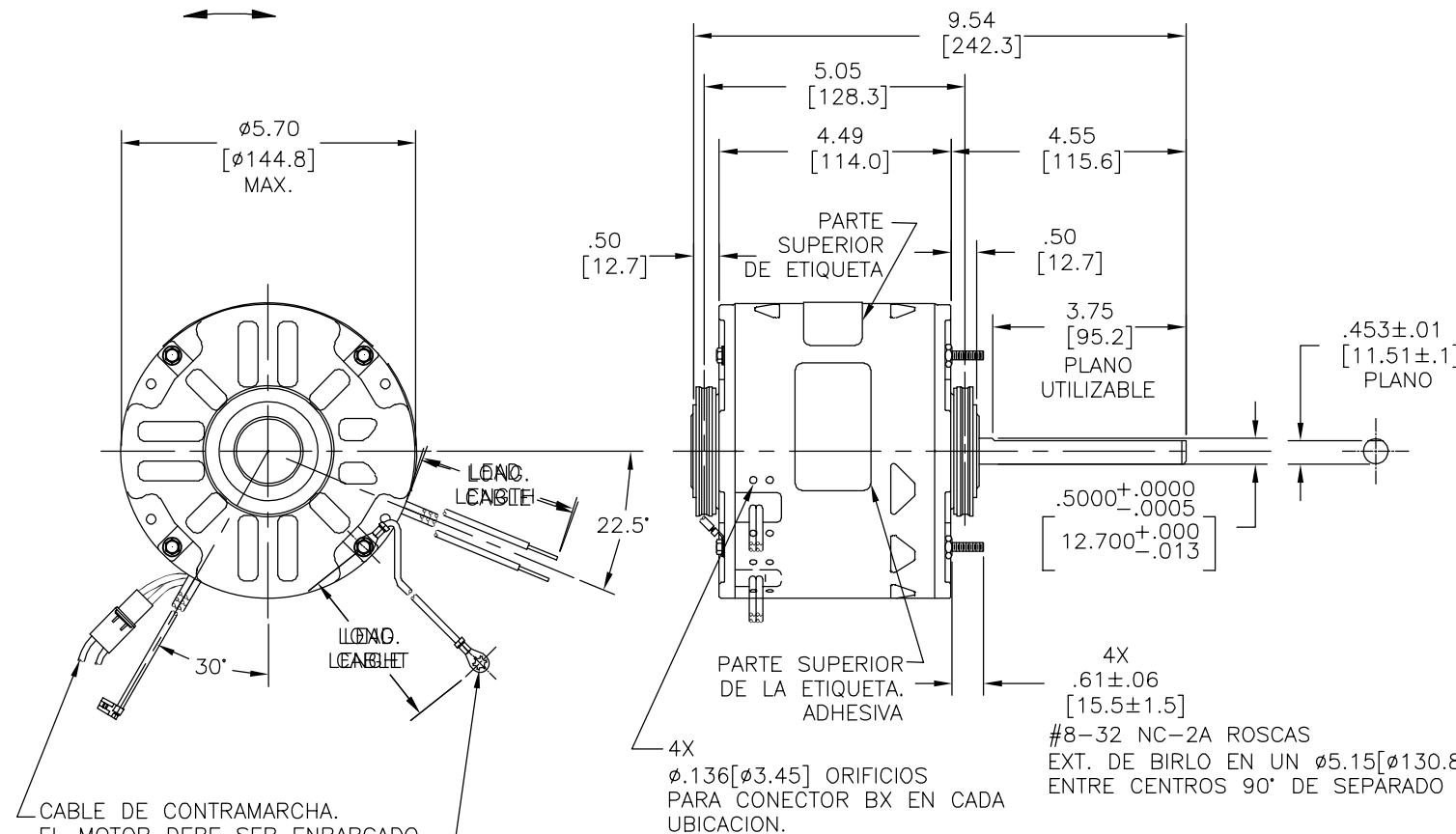
INFORMACION ELECTRICA:

SOBRECARGA DEL PROTECTOR: REINICIO AUTOMATICO (T.I. 7AM 036)

CABLES: NO.188GA.,.066[1.5] GROSOR V.P.V.D.5'05'ONS AISLAMIENTO

CABLE DE REVERSING LEADS: NO.188GA.,.063[1.8] GROSOR V.P.V.D.5'05'ONS AISLAMIENTO

CABLE DE TIERRA: NO.188GA.,.063[1.8] GROSOR V.P.V.D.5'05'ONS AISLAMIENTO



CABLE DE CONTRAMARCHA. EL MOTOR DEBE SER ENBARCADO CONECTADO PARA ROTACION EN CONTRA DE LAS MANECILLAS DEL RELOJ.

CABLE DE TIERRA. TERMINAL DEL MOTOR NO DEBE SOBRESALIR MAS ALLA DEL DIAMETRO EXTERIOR DEL MOTOR.

VE/AM (TIERRA)	11.0/13.0 [279/330]	#10 EYELET
NEGRO/BCO,	5.0/7.0 [127/178]	TAPON DE CONTRAMARCHA (MACHO)
NEGRO/BCO,	5.0/7.0 [127/178]	TAPON DE CONTRAMARCHA (HEMBRA)
CAFE	22.0/24.0 [559/610]	.25[6.4] BANDERA
CAFE/BCO.	22.0/24.0 [559/610]	.25[6.4] BANDERA
BLANCO	22.0/24.0 [559/610]	.50[12.7] FORRO
NEGRO	22.0/24.0 [559/610]	.50[12.7] FORRO
AZUL	22.0/24.0 [559/610]	.50[12.7] FORRO
ROJO	22.0/24.0 [559/610]	.50[12.7] FORRO
COLOR	LONGITUD	TERMINAL O LONGITUD DE DESFORRE

DE CARCASA - OLE	SEMI-ENCL
DE TAPA - OLE	ABIERTO
DE CARCASA - LE	SEMI-ENCL
DE TAPA - LE	ABIERTO

CLIENTE	SERVICIOS DE DISTRIBUCION
---------	---------------------------

INFORMACION DE ETIQUETA:	DIAGRAMA DE CONEXION EXTRNA
MODEL NO.: F48Z23A01 CUST. P/N: 148A HP: 1/3,1/4,1/6 ROT.: REVERSIBLE RPM: 1075/3 SPD TYPE: UF FRAME: 48Y VOLTS: 115 PH: 1 AMPS: 5.3,3.9,3.0 HZ: 60 INS.: B AMB.: 60°C DUTY: AIR OVER CAP.: 5.0MFD/370V ENCL: SEMI-ENCL. UL LOGO CSA LOGO THERMALLY PROTECTED	

614131-351

CURVAS DE FUNCIONAMIENTO	TORSION @ 1075 RPM (25°C)	MUESTRA APROBADA	COMPONENTE UL	CSA
C32692	34.1 OZ. FT.	0604310A	#ARCHIVO CCN #	#ARCHIVO CLASE #
			E46412 PRGY2	LR43341 4211-01

- CARACTERISTICAS DE GEOMETRIA Y SIMBOLOS**
- ▮ PLANICIDAD
 - RECTITUD
 - ∠ ANGULARIDAD
 - ⊥ PERPENDICULARIDAD (A ESCUADRA)
 - // PARALELISMO
 - REDONDEZ (CIRCULARIDAD)
 - ∅ CILINDRICIDAD
 - △ PERFIL DE CUALQUIER SUPERFICIE
 - ∧ PERFIL DE CUALQUIER LINEA
 - ∧ VARIACION
 - ⊕ POSICION REAL
 - ◎ CONCENTRICIDAD
 - = SIMETRIA
- ASME Y14.5M 1994

REGAL-BELOIT CORPORATION (RBC) PROVEE ASISTENCIA TECNICA A NUESTROS CLIENTES EN VARIAS AREAS, DESDE QUE RBC NO RECIBE TODOS LOS DATOS EN RELACION AL USO Y A LA APLICACION DEL MOTOR, LA APLICACION ADECUADA DEL MOTOR DEBE SER DETERMINADA POR EL CLIENTE.

DIMENSIONES SIN TOLERANCIA SON DE REFERENCIA SOLAMENTE

DIBUJADO POR: Z.HONG 05-16-2007

APROBADO POR:

TERCER ANGULO DE PROYECCION

FECHA EDS: 02-22-2008

REV. FORMATO: G

CONFIDENCIAL: ESTE DIBUJO Y SU INFORMACION SON PROPIEDAD DE USO EXCLUSIVO Y CONFIDENCIAL DE REGAL-BELOIT CORPORATION. Y NO DEBERAN SER REVELADOS, DUPLICADOS, DISTRIBUIDOS O USARSE DE OTRA MANERA SIN EL CONSENTIMIENTO ESCRITO DE REGAL-BELOIT CORPORATION. -TODOS LOS DERECHOS RESERVADOS.

REGAL-BELOIT CORPORATION

DESCRIPCION: MODEL-RFHP-48FR OUTLINE

TAMAÑO: C NUMERO DE DIBUJO: F48Z23A01

ESCALA: NONE HOJA: 1

4

3

2

1

4

3

2

1

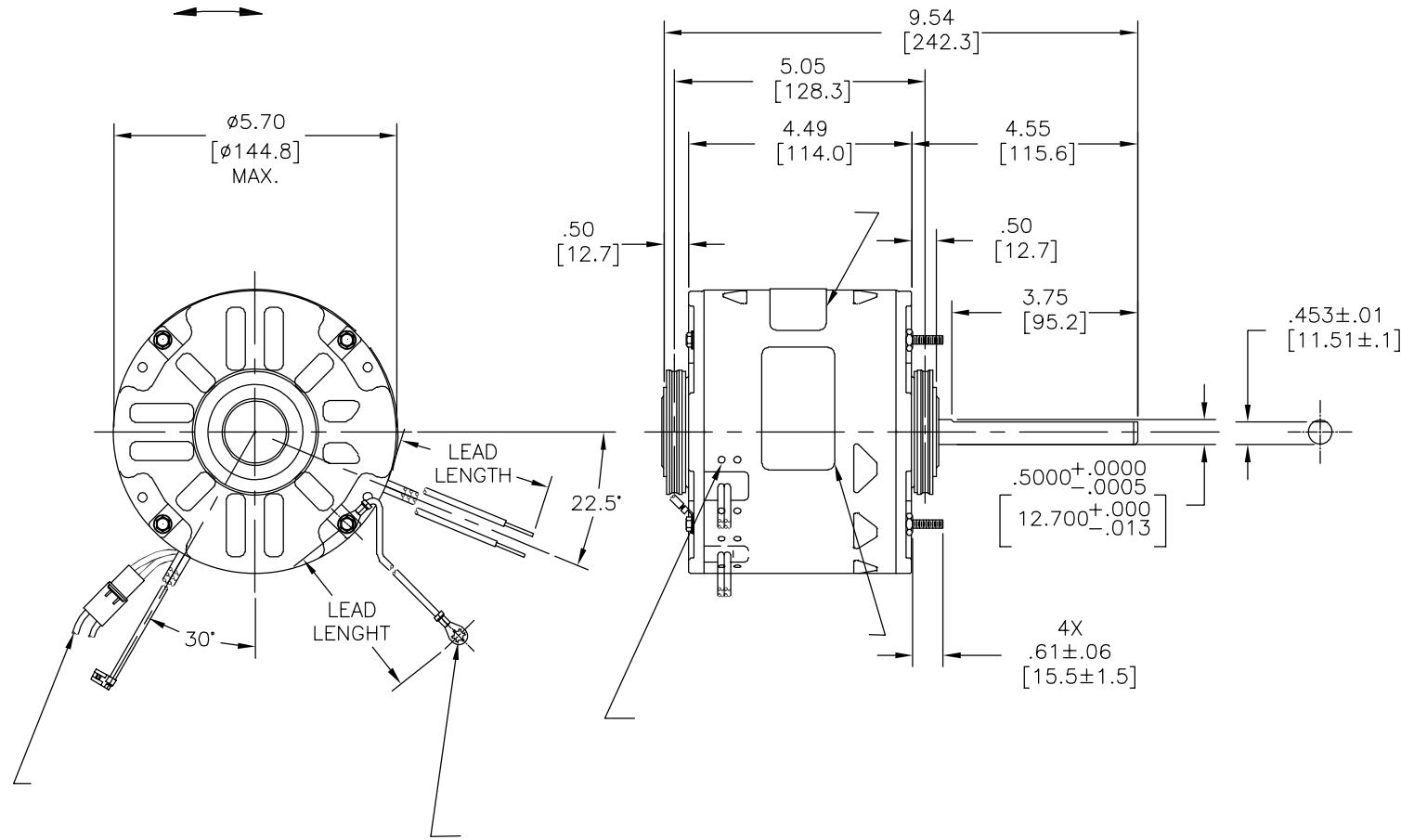
版本	ECO	编制	日期	批准	日期
E	0025525	E.SINECIO	04-23-2012	R.RASCON	04-23-2012

总要求:

轴跳动: .001/1 [.03/25.4] (外伸轴)
 端部窜动量: .010 - .063 [.25 - 1.60]
 轴承: 含油轴承
 安装位置: 水平

电气数据:

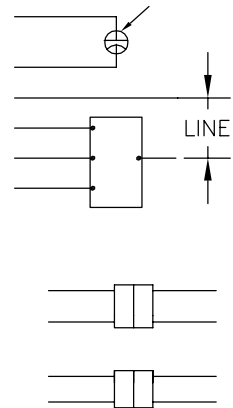
过载保护: 自动复位 (T. I. 7AM 036)
 引线: 18GA, 1厚.03 [.8] THK. 绝缘 105°C INSUL.
 REVERSING LEADS: NO. 18 GA., .03 [.8] THK. 125°C INSUL.
 接地线: 18GA, 厚.03 [.8] 绿色绝缘
 NO. 18 GA., .03 [.8] THK. (GRN/YEL) INSUL.



铭牌数据

外部连接详图

MODEL NO.: F48Z23A01
 CUST. P/N: 148A
 HP: 1/3, 1/4, 1/6
 ROT.: REVERSIBLE
 RPM: 1075/3 SPD
 TYPE: UF
 FRAME: 48Y
 VOLTS: 115
 PH: 1
 AMPS: 5.3, 3.9, 3.0
 HZ: 60
 INS.: B
 AMB.: 60°C
 DUTY: AIR OVER
 CAP.: 5.0MFD/370V
 ENCL: SEMI-ENCL.
 UL LOGO
 CSA LOGO
 THERMALLY PROTECTED



614131-351

	11.0/13.0 [279/330]	#10 EYELET
	5.0/7.0 [127/178]	
	5.0/7.0 [127/178]	
	22.0/24.0 [559/610]	
	22.0/24.0 [559/610]	
	22.0/24.0 [559/610]	
	22.0/24.0 [559/610]	
	22.0/24.0 [559/610]	
	22.0/24.0 [559/610]	
	22.0/24.0 [559/610]	
	22.0/24.0 [559/610]	
颜色	长度	端子或剥线长度

非引线端机壳	SEMI-ENCL
非引线端端盖	
引线端机壳	SEMI-ENCL
引线端端盖	

用户	
----	--

性能曲线编号	转矩在---RPM (25° C)	批准样品	UL部件		CSA	
			文件号	指南	文件号	指南
C32692	34.1 OZ. FT.	0604310A	E46412	PRGY2	LR43341	4211-01

- 形位公差
- 平面度
- 直线度
- ∠ 倾斜度
- ⊥ 垂直度
- // 平行度
- 圆度
- ⊙ 圆柱度
- △ 面轮廓度
- ∩ 线轮廓度
- ∩ 圆跳动
- ⊕ 位置度
- ⊙ 同轴度
- ≡ 对称度

ASME Y14.5M 1994

REGAL-BELOIT CORPORATION (RBC) 在个别领域为客户提供技术支持。鉴于RBC未收到任何涉及电机使用和应用环境的数据，电机的适用性由客户自己决定。

未注公差尺寸仅供参考。

绘图: Z.HONG 05-16-2007

批准:

第三角投影

机密: 本图纸及相关信息所有权归REGAL-BELOIT CORPORATION。未经REGAL-BELOIT CORPORATION书面授权, 不得泄露、复制、传播或作其他用途。—版权所有

名称: REGAL-BELOIT CORPORATION
 MODEL-RFHP-48FR
 OUTLINE
 图幅: C 图号: F48Z23A01
 比例: NONE 页号: 1

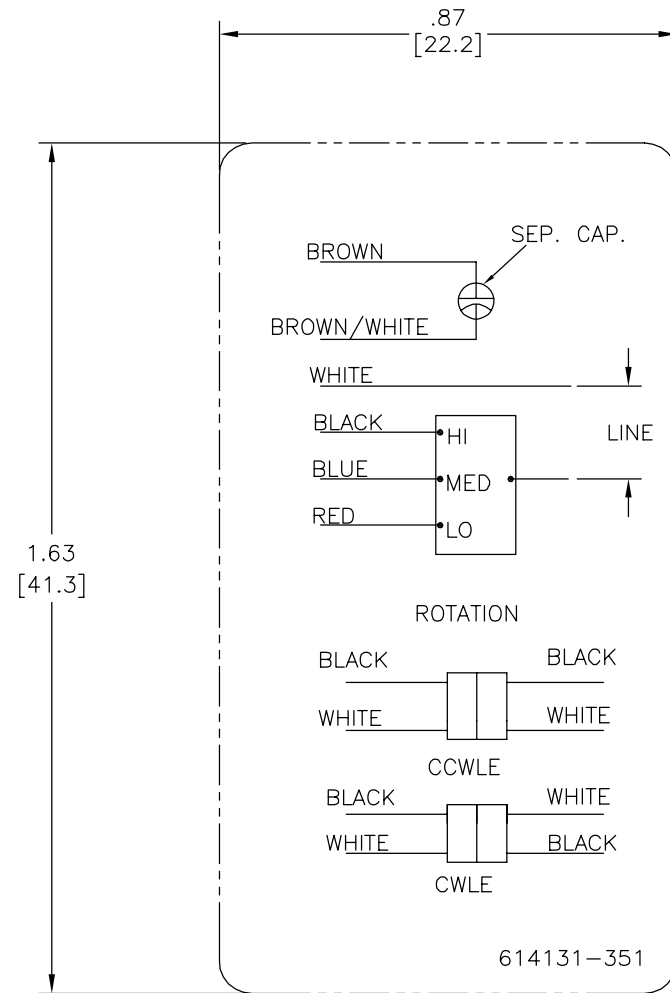
4

3

2

1

REV	ECO	REV BY	DATE	APPD	DATE
C	0027023	N.HONG	06-24-2012	B.SHEN	06-24-2012



NOTES:

1. FOR USE WITH 614129 OR 2513020-001 NAMEPLATE BLANKS;
2. ——— INDICATES DIMENSION LIMITS

GEOMETRIC CHARACTERISTICS & SYMBOLS	
	FLATNESS
	STRAIGHTNESS
	ANGULARITY
	PERPENDICULARITY (SQUARENESS)
	PARALLELISM
	ROUNDNESS (CIRCULARITY)
	CYLINDRICITY
	PROFILE OF ANY SURFACE
	PROFILE OF ANY LINE
	RUNOUT
	TRUE POSITION
	CONCENTRICITY
	SYMMETRY

UNLESS OTHERWISE SPECIFIED DIM. TOLERANCES ARE AS FOLLOWS:	
INCH	X ±.1 XX ±.02 XXX ±.005 XXXX ±.0005
mm	±0.5 ±0.13 ±0.013
ANG. ±.50 DEG	
REMOVE BURRS & BREAK SHARP EDGES:	
INCH	.003-.015 mm 0.1-0.4
CORNER FILLETS TO:	
INCH	.020 mm 0.5
MACHINE SURFACES:	
INCH	125 mm 3.2
METRIC DIMS. SHOWN IN [BRACKETS]	

DR BY:	YL	04-08-2011
APPD:	CZ	04-08-2011
THIRD ANGLE PROJECTION		EDS DATE 11-11-2011 FORMAT REV H
CONFIDENTIAL: THIS DRAWING AND ITS INFORMATION ARE THE EXCLUSIVE AND CONFIDENTIAL PROPERTY OF REGAL-BELOIT CORPORATION AND ARE NOT TO BE DISCLOSED, DUPLICATED, DISTRIBUTED OR OTHERWISE USED WITHOUT THE WRITTEN CONSENT OF REGAL-BELOIT CORPORATION. -ALL RIGHTS RESERVED.		

REGAL-BELOIT CORPORATION	
DESCRIPTION CONN DIAGRAM-NAMEPLATE	
SIZE C	DWG NO 614131-351
SCALE NONE	SHEET 1

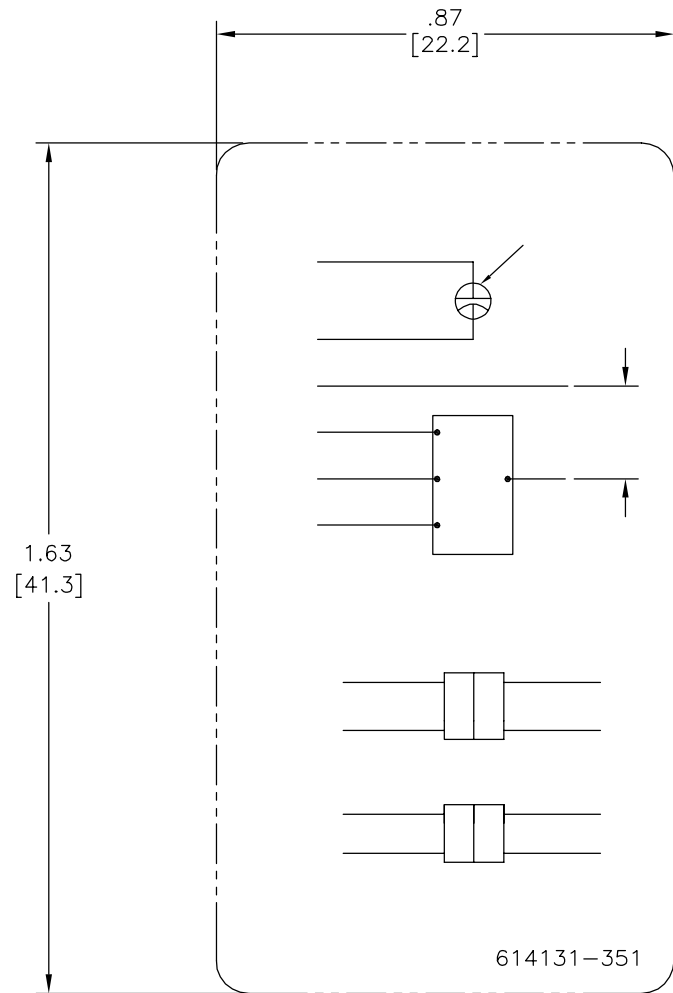
4

3

2

1

REVISION:	ECO	REVISADO POR:	FECHA:	APROBADO POR:	FECHA:
C	0027023	N.HONG	06-24-2012	B.SHEN	06-24-2012



CARACTERISTICAS DE GEOMETRIA Y SIMBOLOS

- ▧ PLANICIDAD
- RECTITUD
- ∠ ANGULARIDAD
- ⊥ PERPENDICULARIDAD (A ESCUADRA)
- // PARALELISMO
- REDONDEZ (CIRCULARIDAD)
- ⊘ CILINDRICIDAD
- △ PERFIL DE CUALQUIER SUPERFICIE
- ∧ PERFIL DE CUALQUIER LINEA
- ↗ VARIACION
- ⊕ POSICION REAL
- ◎ CONCENTRICIDAD
- = SIMETRIA

ASME Y14.5M 1994

A MENOS QUE SE ESPECIFIQUE DE OTRA MANERA, LAS TOLERANCIAS DE LAS DIMS; SON LAS SIGUIENTES:

	PULG	±.1	±.02	±.005	±.0005
	mm	±0.5	±0.13	±0.013	

ANG. ± 50 GRADOS
ELIMINAR REBABAS Y ORILLAS FILOSAS DEL BORDE.

	PULG	.003-.015	mm	0.1-0.4
--	------	-----------	----	---------

FILETEAR ESQUINA: PULG .020 mm 0.5
MAQUINAR SUPERFICIES
PULG 125 mm 3.2

DIMS METRICAS MOSTRADAS [PARENTESIS]

DIBUJADO POR:	YL	04-08-2011
APROBADO POR:	CZ	04-08-2011
TERCER ANGULO DE PROYECCION	⊕	FECHA EDS: 11-11-2011 REV. FORMATO: H
CONFIDENCIAL: ESTE DIBUJO Y SU INFORMACION SON PROPIEDAD DE USO EXCLUSIVO Y CONFIDENCIAL DE REGAL-BELOIT CORPORATION. Y NO DEBERAN SER REVELADOS, DUPLICADOS, DISTRIBUIDOS O USARSE DE OTRA MANERA SIN EL CONSENTIMIENTO ESCRITO DE REGAL-BELOIT CORPORATION. -TODOS LOS DERECHOS RESERVADOS.		

REGAL REGAL-BELOIT CORPORATION	
DESCRIPCION: CONN DIAGRAM-NAMEPLATE	
TAMAÑO: C	NUMERO DE DIBUJO: 614131-351
ESCALA: NONE	HOJA: 1

4

3

2

1

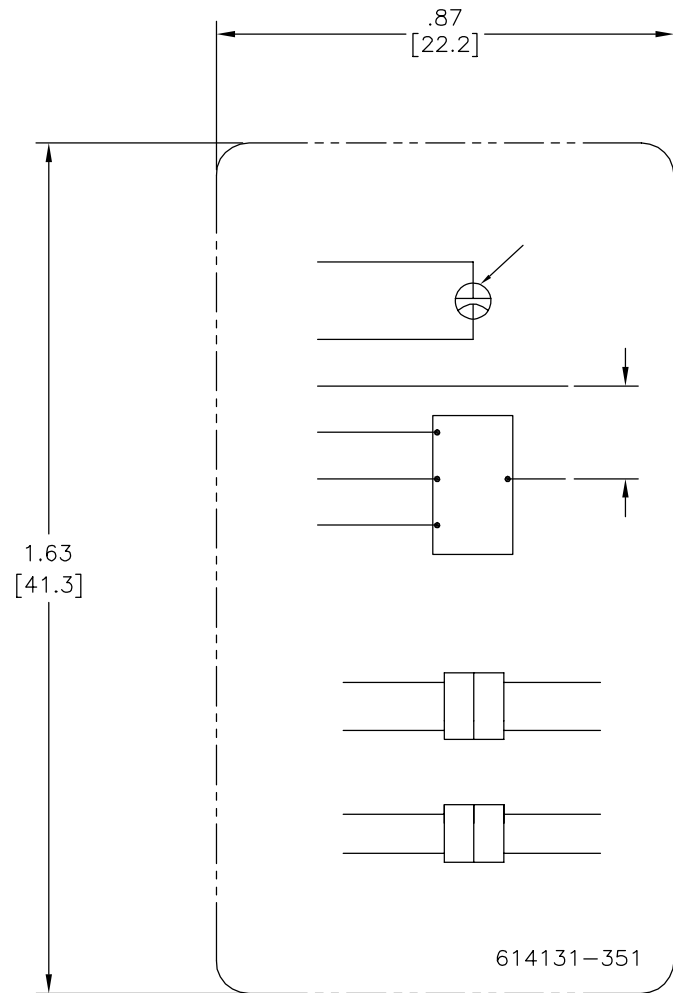
4

3

2

1

版本	ECO	编制	日期	批准	日期
C	0027023	N.HONG	06-24-2012	B.SHEN	06-24-2012



形位公差
□ 平面度
— 直线度
∠ 倾斜度
⊥ 垂直度
// 平行度
○ 圆度
⊘ 圆柱度
△ 面轮廓度
∩ 线轮廓度
↗ 圆跳动
⊕ 位置度
⊙ 同轴度
≡ 对称度

除另有注明 尺寸公差如下:
英寸 X XX XXX XXXX
毫米 ±0.1 ±0.02 ±0.005 ±0.0005
角度 ±.50 度
清理毛刺和尖棱
英寸 .003-.015 毫米 0.1-0.4
内圆角
英寸 .020 毫米 0.5
表面粗糙度
英制 125 米制 3.2
米制尺寸显示在 []

绘图:	YL	04-08-2011
批准:	CZ	04-08-2011
第三角投影		图纸格式发布日期 11-11-2011 图纸格式版本 H
机密: 本图纸及相关信息所有权归REGAL-BELOIT CORPORATION 未经REGAL-BELOIT CORPORATION书面授权, 不得泄露、 复制、传播或作其他用途。—版权所有		

REGAL-BELOIT CORPORATION	
名称	CONN DIAGRAM-NAMEPLATE
图幅	C
图号	614131-351
比例	NONE
页号	1

4

3

2

1