

## Product Overview



Print



<b>Product Type :</b>	AC Motors
<b>Product Family:</b>	5-5/8" Diameter (48 Frame)
<b>Stock Number:</b>	144A
<b>Reference:</b>	<a href="#">Catalog Page: 057</a>
<b>Description:</b>	MODEL-RFHP-48FR
<b>Features:</b>	Product feature information temporarily unavailable
<b>Applications:</b>	Product application information temporarily unavailable
<b>List Price:</b>	\$333

The image shown is representative only and the actual product may differ from the image shown

### TECHNICAL SPECIFICATIONS    NOTES    DRAWINGS

<b>Horse Power:</b>	1/4,1/5,1/6,1/8
<b>Amperes:</b>	3.2,2.5,2.0,1.6
<b>Frequency:</b>	60
<b>RPM:</b>	1050/4SPD
<b>Voltage:</b>	115
<b>Number of Speeds:</b>	4
<b>Motor Type:</b>	PERMANENT SPLIT CAPACITOR
<b>Frame Size:</b>	48Y
<b>Nema Suffix:</b>	Y
<b>Service Factor:</b>	1.0
<b>Phase:</b>	1
<b>Enclosure:</b>	OPEN
<b>Bearings:</b>	SLEEVE/SLEEVE
<b>Ambient Temperature:</b>	40
<b>Insulation Class:</b>	B
<b>Rotation:</b>	CCWLE
<b>Protector:</b>	AUTOMATIC
<b>Agency Approvals:</b>	ULCSA
<b>Capacitor Rating:</b>	5.0MFD/370VAC
<b>Duty Cycle:</b>	AIR OVER

4

3

2

1

REV	ECO	REV BY	DATE	APPD	DATE
E	0025525	E.SINECIO	04-23-2012	R.RASCON	04-23-2012

GENERAL INFORMATION:

SHAFT RUNOUT: .001 [.03] T.I.R. PER INCH LENGTH OF EXTENSION

END PLAY: .010 TO .063 [.25 TO 1.60]

BEARINGS: SLEEVE

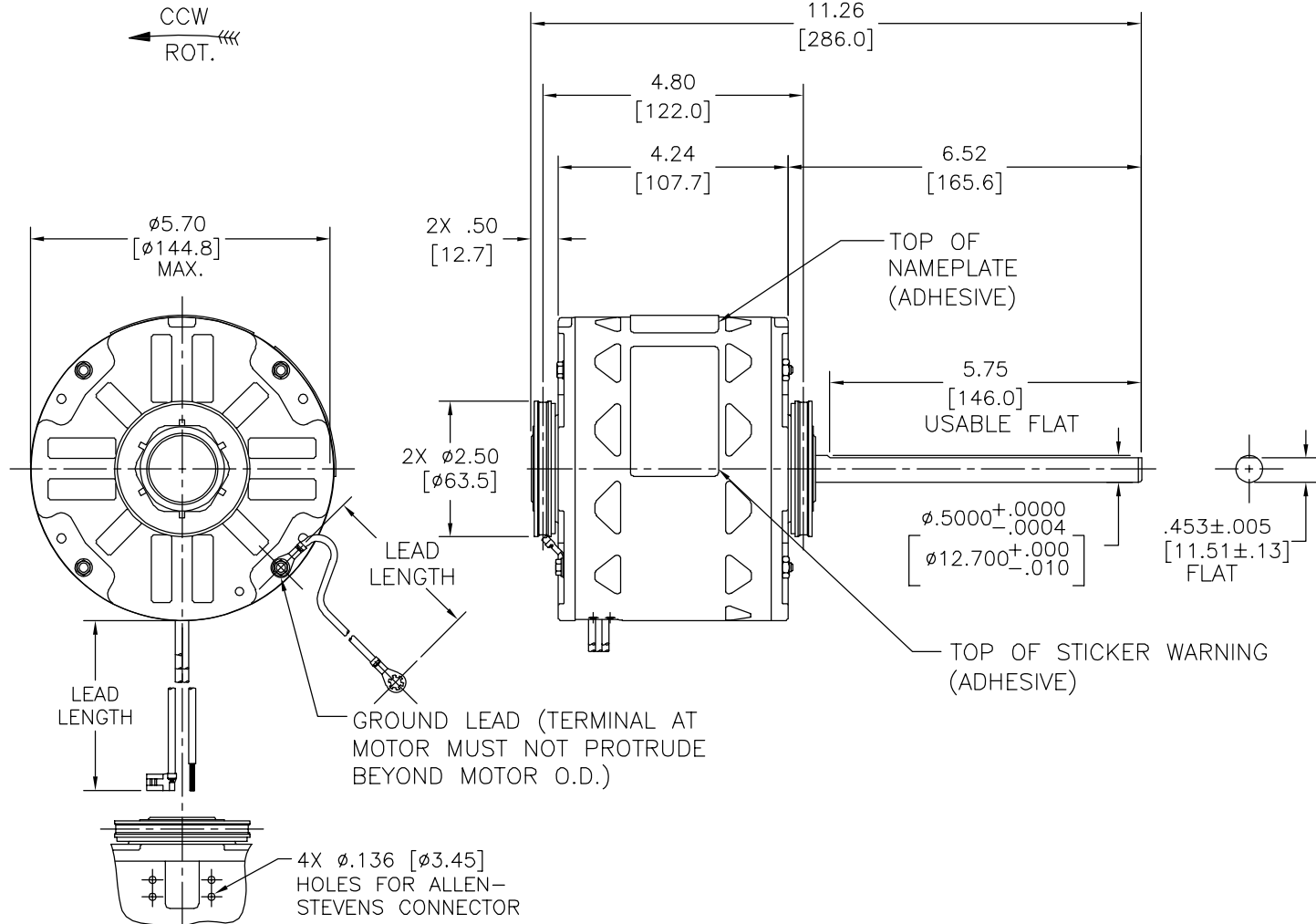
MOUNTING POSITION: HORIZONTAL

ELECTRICAL DATA:

OVERLOAD PROTECTOR: AUTOMATIC RESET (T.I. 7AM 036)

LEADS: NO. 18 GA., .06 [1.5] THK. XLP 125°C INSUL.

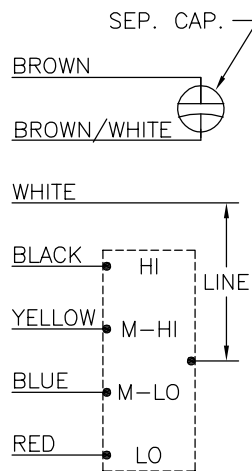
GROUND LEAD: NO. 16 GA., .03 [.8] THK. (GREEN/YELLOW) INSUL.



NAMEPLATE DATA:

EXTERNAL CONNECTION DIAGRAM

MODEL NO.: F48AA28A01  
 CUST. P/N: 144A  
 HP: 1/4,1/5,1/6,1/8  
 ROT.: CCWLE  
 RPM: 1050/4 SPD  
 TYPE: UF  
 FRAME: 48Y  
 VOLTS: 115  
 PH: 1  
 AMPS: 3.2,2.5,2.0,1.6  
 HZ: 60  
 INS.: B  
 AMB.: 40° C  
 DUTY: AIR OVER  
 CAP.: 5 MFD/370 V  
 ENCL: OPEN  
 UL LOGO  
 CSA LOGO  
 THERMALLY PROTECTED



614131-149

GREEN/YELLOW (GROUND)	11.0/13.0 [279/330]	#10 EYELET
BROWN	35.0/38.0 [889/965]	.25 [6.4] FLAG
BROWN/WHITE	35.0/38.0 [889/965]	.25 [6.4] FLAG
YELLOW	35.0/38.0 [889/965]	.50 [12.7] SKIN
WHITE	35.0/38.0 [889/965]	.50 [12.7] SKIN
BLUE	35.0/38.0 [889/965]	.50 [12.7] SKIN
BLACK	35.0/38.0 [889/965]	.50 [12.7] SKIN
RED	35.0/38.0 [889/965]	.50 [12.7] SKIN
COLOR	LENGTH	TERMINAL OR STRIP LENGTH

MAIN FRAME - OLE	OPEN
END FRAME - OLE	OPEN
MAIN FRAME - LE	OPEN
END FRAME - LE	OPEN

CUSTOMER	DISTRIBUTION SERVICE
----------	----------------------

PERFORMANCE CURVE NO.	TORQUE @ 1050 RPM (25°C)	APPROVED SAMPLE	UL COMPONENT FILE #	CCN #	CSA FILE #	CLASS #
C32809	13.3 OZ. FT.	0701077A	E46412	PRGY2	LR43341	4211-01

GEOMETRIC CHARACTERISTICS & SYMBOLS

- ▮ FLATNESS
- STRAIGHTNESS
- ∠ ANGULARITY
- ⊥ PERPENDICULARITY (SQUARENESS)
- ∥ PARALLELISM
- ROUNDNESS (CIRCULARITY)
- ⊘ CYLINDRICITY
- △ PROFILE OF ANY SURFACE
- ∧ PROFILE OF ANY LINE
- ↗ RUNOUT
- ⊕ TRUE POSITION
- ◎ CONCENTRICITY
- ≡ SYMMETRY

ASME Y14.5M 1994

REGAL-BELOIT CORPORATION (RBC) PROVIDES TECHNICAL ASSISTANCE TO OUR CUSTOMERS IN SEVERAL AREAS. SINCE RBC DOES NOT RECEIVE ALL DATA CONCERNING THE USE AND APPLICATION OF THE MOTOR, THE SUITABILITY OF THE MOTOR FOR THE APPLICATION MUST BE DETERMINED BY THE CUSTOMER.

DIMENSIONS WITHOUT TOLERANCES ARE FOR REFERENCE ONLY.

DR BY: SR 11-13-2007

APPD: JD 11-14-2007

THIRD ANGLE PROJECTION

EDS DATE 02-22-2008

FORMAT REV G

CONFIDENTIAL: THIS DRAWING AND ITS INFORMATION ARE THE EXCLUSIVE AND CONFIDENTIAL PROPERTY OF REGAL-BELOIT CORPORATION AND ARE NOT TO BE DISCLOSED, DUPLICATED, DISTRIBUTED OR OTHERWISE USED WITHOUT THE WRITTEN CONSENT OF REGAL-BELOIT CORPORATION. -ALL RIGHTS RESERVED.



DESCRIPTION	MODEL-RFHP-48FR OUTLINE	
SIZE	C	DWG NO F48AA28A01
SCALE	NONE	SHEET 1

4

3

2

1