

PRODUCT INFORMATION PACKET



Model No: 0547A

Catalog No: 0547A

OEM Replacement Motor, 1/8 HP, 1 Ph, 60 Hz, 115 V, 700 RPM, 1 Speed, 48 Frame, OAO



Regal and Century are trademarks of Regal Rexnord Corporation or one of its affiliated companies.
©2022 Regal Rexnord Corporation, All Rights Reserved. MC017097E





Nameplate Specifications

Output HP	1/8 Hp	Output KW	0.10 kW
Frequency	60 Hz	Voltage	115 V
Current	2.1 A	Speed	700 rpm
Service Factor	1	Phase	1
Duty	Continuous Air Over	Insulation Class	B
Frame	48Y	Enclosure	Open Air Over
Thermal Protection	Automatic	Ambient Temperature	40 °C
UL	Recognized	CSA	Y
CE	N	Number of Speeds	1

Technical Specifications

Electrical Type	Permanent Split Capacitor	Starting Method	Across The Line
Poles	10	Rotation	Clockwise Lead End
Mounting	Resilient Base	Motor Orientation	Horizontal
Drive End Bearing	Ball	Opp Drive End Bearing	Ball
Frame Material	Rolled Steel	Shaft Type	Flat
Overall Length	8.60 in	Frame Length	5.99 in
Shaft Diameter	0.500 in	Shaft Extension	2.1 in
Connection Drawing	614131-350	Outline Drawing	F48Z08A01-S01

This is an uncontrolled document once printed or downloaded and is subject to change without notice. Date Created:11/28/2022

4

3

2

1

GENERAL INFORMATION:

SHAFT RUNOUT: .001[.03] T.I.R. PER INCH LENGTH OF EXTENSION

BEARINGS: BALL

MOUNTING POSITION: HORIZONTAL

ELECTRICAL DATA:

OVERLOAD PROTECTOR: AUTOMATIC RESET (T.I. 7AM 036)

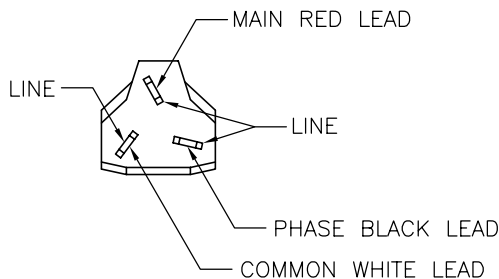
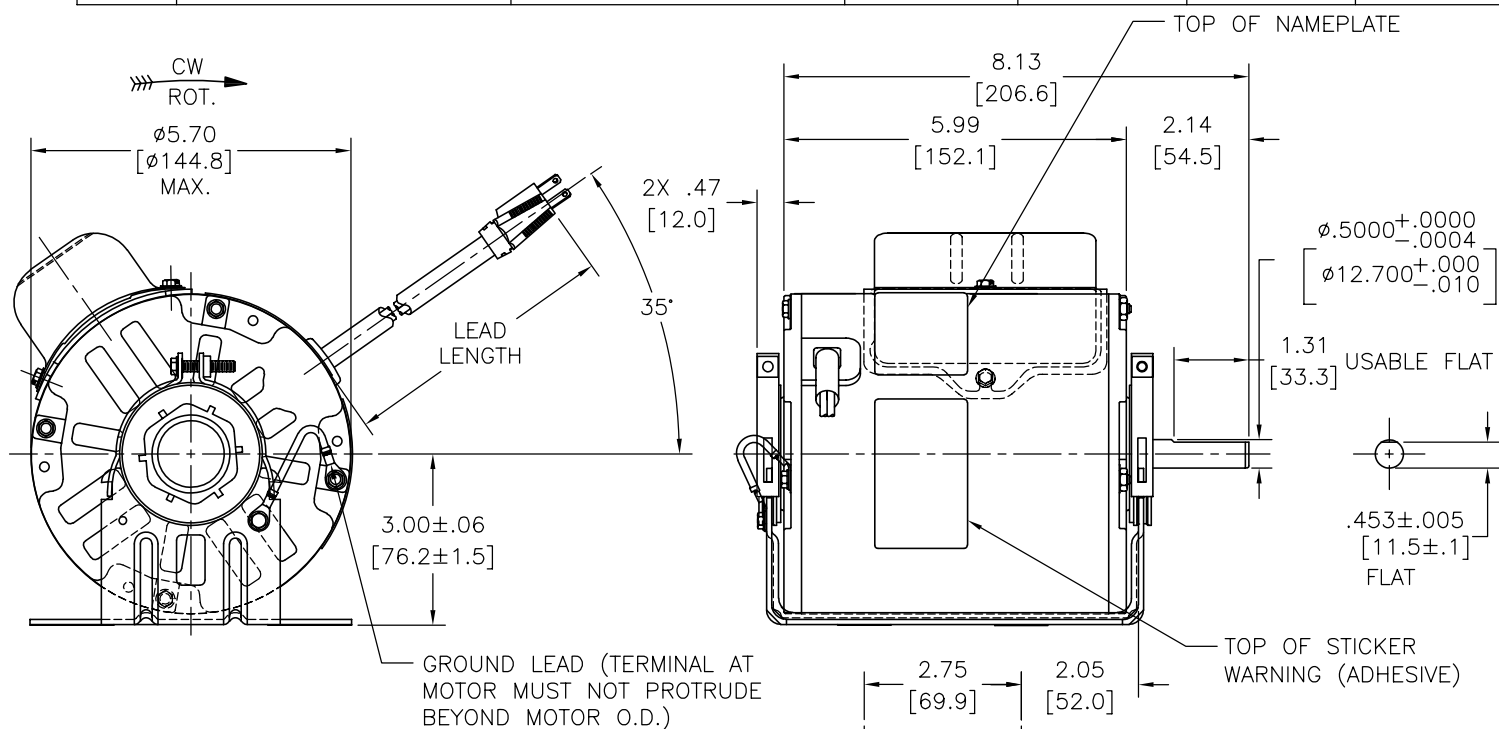
LINE LEADS: NO. 18 GA., .03[.8] THK. PVC 105°C INSUL.

CAPACITOR LEADS: NO. 18 GA., .06[1.5] THK. PVC 105°C INSUL.

GROUND LEAD: NO. 18 GA., .03[.8] THK. (GREEN/YELLOW) INSUL.

NOTES:
1. DISTRIBUTION: CUST. P/N: 0547A
GRAINGER: CUST. P/N: 2FGP6

REV	REFERENCE ECN	REFERENCE PROJECT	REV BY	DATE	APPD	DATE
B			Aaron	01-24-2008	C. CON	01-24-2008



GREEN/YELLOW (GROUND)	CONNECTED TO BASE	#10 EYELET
BROWN	CONNECTED TO CAPACITOR	.25[6.4] FLAG
BROWN/WHITE	CONNECTED TO CAPACITOR	.25[6.4] FLAG
3 COND. PLUG	RED	22.0/24.0 [559/610] PLUG
	WHITE	22.0/24.0 [559/610] PLUG
	BLACK	22.0/24.0 [559/610] PLUG
COLOR	LENGTH	TERMINAL OR STRIP LENGTH

MAIN FRAME - OLE	ENCLOSED
END FRAME - OLE	OPEN
MAIN FRAME - LE	ENCLOSED
END FRAME - LE	OPEN

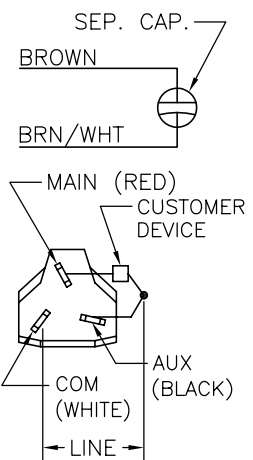
CUSTOMER	DISTRIBUTION SERVICE
----------	----------------------

NAMEPLATE DATA:

MODEL NO.: F48Z08A0
CUST. P/N: []
HP: 1/8
ROT.: CWLE
RPM: 700
TYPE: UF
FRAME: 48Y
VOLTS: 115
PH: 1
AMPS: 2.1
HZ: 60
INS.: B
AMB.: 40° C
DUTY: AIR OVER
CAP.: 6 MFD/370 V
ENCL: SEMI-ENCL.
UL LOGO
CSA LOGO
THERMALLY PROTECTED

SEE NOTE 1

EXTERNAL CONNECTION DIAGRAM



614131-350

PERFORMANCE CURVE NO.	TORQUE @ 700 RPM (25°C)	APPROVED SAMPLE	UL COMPONENT		CSA	
C32671	16.4 OZ. FT.	0600521D	FILE #	CCN #	FILE #	CLASS #
			E46412	PRGY2	LR43341	4211-01

GEOMETRIC CHARACTERISTICS & SYMBOLS
 ▽ FLATNESS
 — STRAIGHTNESS
 ∠ ANGULARITY
 ⊥ PERPENDICULARITY (SQUARENESS)
 ∥ PARALLELISM
 ○ ROUNDNESS (CIRCULARITY)
 ⌀ CYLINDRICITY
 △ PROFILE OF ANY SURFACE
 ∩ PROFILE OF ANY LINE
 ↗ RUNOUT
 ⊕ TRUE POSITION
 ⊙ CONCENTRICITY
 ≡ SYMMETRY

A.O. SMITH PROVIDES TECHNICAL ASSISTANCE TO OUR CUSTOMERS IN SEVERAL AREAS. SINCE A.O. SMITH DOES NOT RECEIVE ALL DATA CONCERNING THE USE AND APPLICATION OF THE MOTOR, THE SUITABILITY OF THE MOTOR FOR THE APPLICATION MUST BE DETERMINED BY THE CUSTOMER.

DIMENSIONS WITHOUT TOLERANCES ARE FOR REFERENCE ONLY.

DR BY: jrupert 03/14/2007
 APPD: dcao 03-14-2007
 THIRD ANGLE PROJECTION
 CONFIDENTIAL: THIS DRAWING AND ITS INFORMATION ARE THE EXCLUSIVE AND CONFIDENTIAL PROPERTY OF A.O. SMITH CORP. AND ARE NOT TO BE DISCLOSED, DUPLICATED, DISTRIBUTED OR OTHERWISE USED WITHOUT THE WRITTEN CONSENT OF A.O. SMITH CORP.
 -ALL RIGHTS RESERVED. ASME Y14.5M 1994

A.O. SMITH
 ELECTRICAL PRODUCTS COMPANY
 TIPP CITY, OHIO
 A DIVISION OF A. O. SMITH CORPORATION
 COPYRIGHT 1995

DESCRIPTION: **OUTLINE**

SIZE: C DWG NO: F48Z08A01

SCALE: NONE SHEET: 1

4

3

2

1

4

3

2

1

INFORMACION GENERAL:

OSCILACION DE FLECHA: .001 [.03] T.I.R. PER INCH LENGTH OF EXTENSION

BALEROS: BALAS

POSICION DEL MONTAJE: HORIZONTAL

INFORMACION ELECTRICA:

PROTECTOR DE SOBRECARGA: REINICIO AUTOMATIC (T.I. 7AM 036)

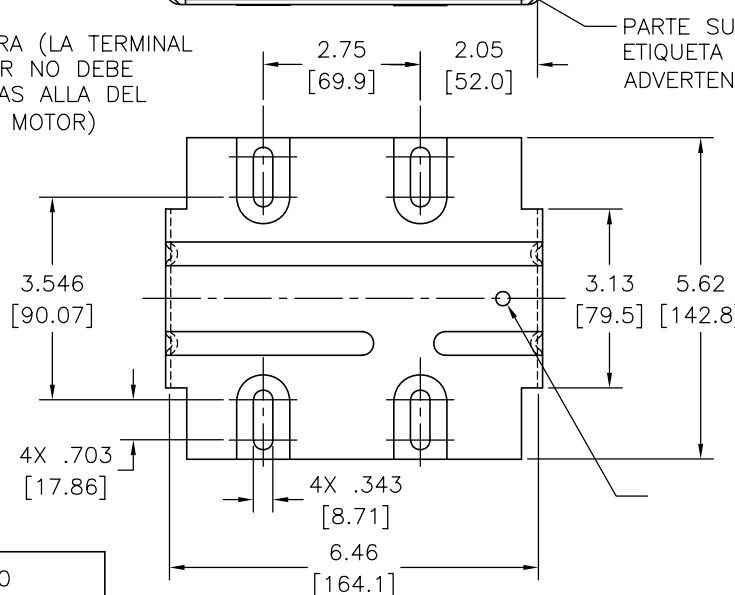
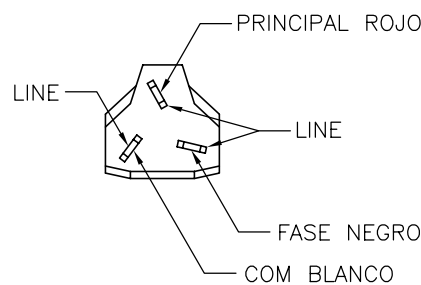
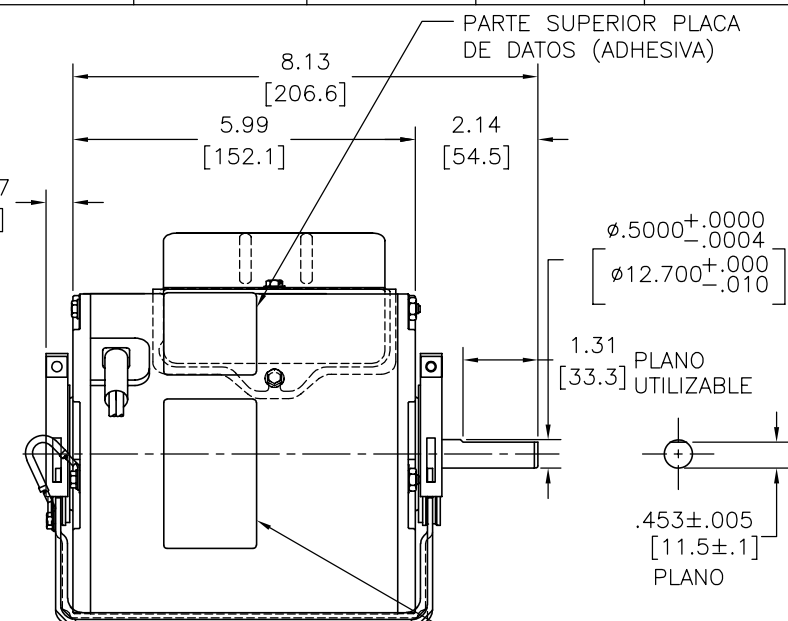
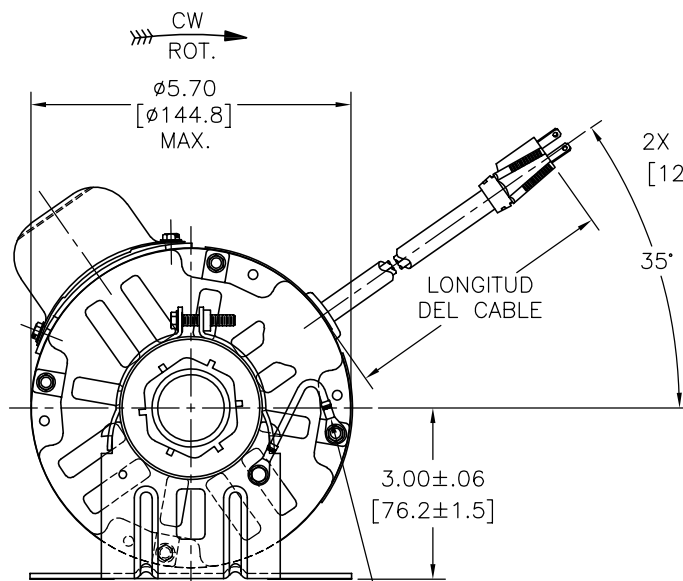
CABLES: NO. 18 GA., .06 [1.5] THK. PVC 105°C AISLAM.

CABLES: NO. 18 GA., .06 [1.5] THK. PVC 105°C AISLAM.

CABLE DE TIERRA: NO. 18 GA., .03 [.8] THK. (VERDE/AMARILLO) AISLAM.

NOTA:
DISTRIBUCION: CLIENTE P/N: 0547A
TEXTURA: CUST P/N: 2FGP6

REVISION: B	ECN REFERENCIA:	PROYECTO REFERENCIA:	REVISADO POR: Aaron	FECHA: 01-24-2008	APROBADO POR: C. CON	FECHA: 01-24-2008
-------------	-----------------	----------------------	---------------------	-------------------	----------------------	-------------------



VERDE/AMARILLO (TIERRA)	CONNECTED TO BASE	OJAL #10
CAFE	CONNECTED TO CAPACITOR	.25 [6.4] BANDERA
CAFE/BLANCO	CONNECTED TO CAPACITOR	.25 [6.4] BANDERA
ROJO	22.0/24.0 [559/610]	ENCHUFE
BLANCO	22.0/24.0 [559/610]	ENCHUFE
NEGRO	22.0/24.0 [559/610]	ENCHUFE
COLOR	LONGITUD	TERMINAL O LONGITUD DE DESFORRE

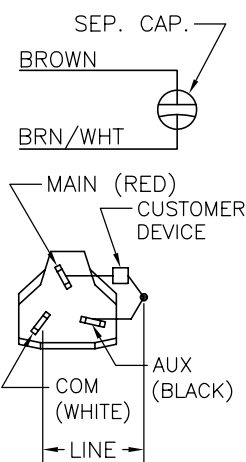
CARCASA - LOC	ENCERRADO
TAPA - LOC	ABIERTA
CARCASA - LC	ENCERRADO
TAPA - LC	ABIERTA

CLIENTE	DISTRIBUTION SERVICE
---------	----------------------

INFORMACION DE ETIQUETA:

MODEL NO.: F48Z08A0
CUST. P/N: []
HP: 1/8
ROT.: CWLE
RPM: 700
TYPE: UF
FRAME: 48Y
VOLTS: 115
PH: 1
AMPS: 2.1
HZ: 60
INS.: B
AMB.: 40° C
DUTY: AIR OVER
CAP.: 6 MFD/370 V
ENCL: SEMI-ENCL.
UL LOGO
CSA LOGO
THERMALLY PROTECTED

DIAGRAMA DE CONEXION EXTRNA



614131-350

CURVAS DE FUNCIONAMIENTO	TORSION @ 700 RPM (25°C)	MUESTRA APROBADA	COMPONENTE UL	CSA
C32671	16.4 OZ. FT.	0600521D	#ARCHIVO PRGY2	CLASE # 4211-01

CARACTERISTICAS DE GEOMETRIA Y SIMBOLOS
 ▽ PLANICIDAD
 — RECTITUD
 < ANGULARIDAD
 ⊥ PERPENDICULARIDAD (A ESCUADRA)
 // PARALELISMO
 ○ REDONDEZ (CIRCULARIDAD)
 ∅ CILINDRICIDAD
 △ PERFIL DE CUALQUIER SUPERFICIE
 ∩ PERFIL DE CUALQUIER LINEA
 ↗ VARIACION
 ⊕ POSICION REAL
 ⊙ CONCENTRICIDAD
 = SIMETRIA

A.O. SMITH PROVEE ASISTENCIA TECNICA A NUESTROS CLIENTES EN VARIAS AREAS. DESDE QUE A.O. SMITH NO RECIBE TODOS LOS DATOS EN RELACION AL USO Y A LA APLICACION DEL MOTOR, LA APLICACION ADECUADA DEL MOTOR DEBE SER DETERMINADA POR EL CLIENTE.

DIMENSIONES SIN TOLERANCIA SON DE REFERENCIA SOLAMENTE

DIBUJADO POR: jrupert
 APROBADO POR: dcao
 TERCER ANGULO DE PROYECCION
 CONFIDENCIAL: ESTE DIBUJO Y SU INFORMACION SON PROPIEDAD DE USO EXCLUSIVO Y CONFIDENCIAL DE A.O. SMITH CORP. Y NO DEBERAN SER REVELADOS, DUPLICADOS, DISTRIBUIDOS O USARSE DE OTRA MANERA SIN EL CONSENTIMIENTO ESCRITO DE A.O. SMITH CORP. -TODOS LOS DERECHOS RESERVADOS. ASME Y14.5M 1994

A.O. SMITH
 ELECTRICAL PRODUCTS COMPANY
 TIPP CITY, OHIO
 A DIVISION OF A. O. SMITH CORPORATION
 COPYRIGHT 1995
 DESCRIPCION: OUTLINE
 TAMAÑO: C NUMERO DE DIBUJO: F48Z08A01
 ESCALA: NONE HOJA: 1

4

3

2

1

4

3

2

1

版本	更改通知号	项目号	编制	日期	批准	日期
B			Aaron	01-24-2008	C. CON	01-24-2008

总技术要求:

轴跳动: .001[.03]/1.00[25.4] 外伸轴

轴承: 球轴承

安装位置: 水平

电气数据:

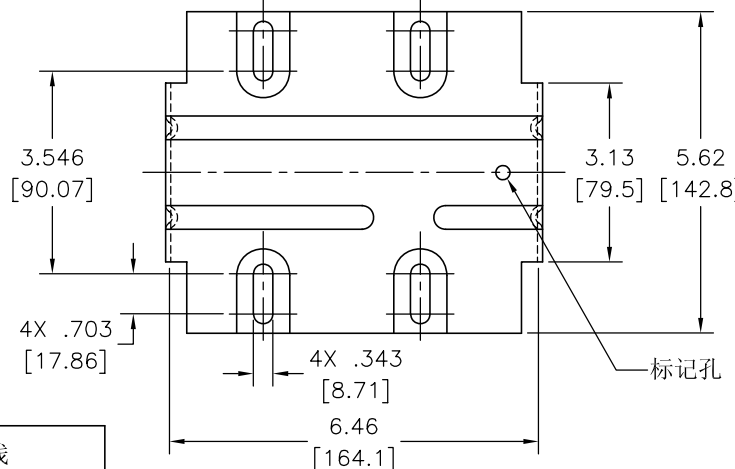
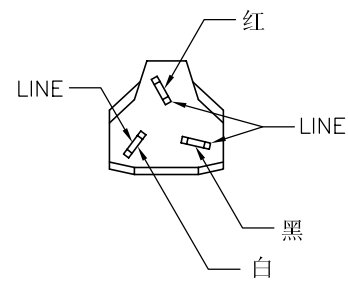
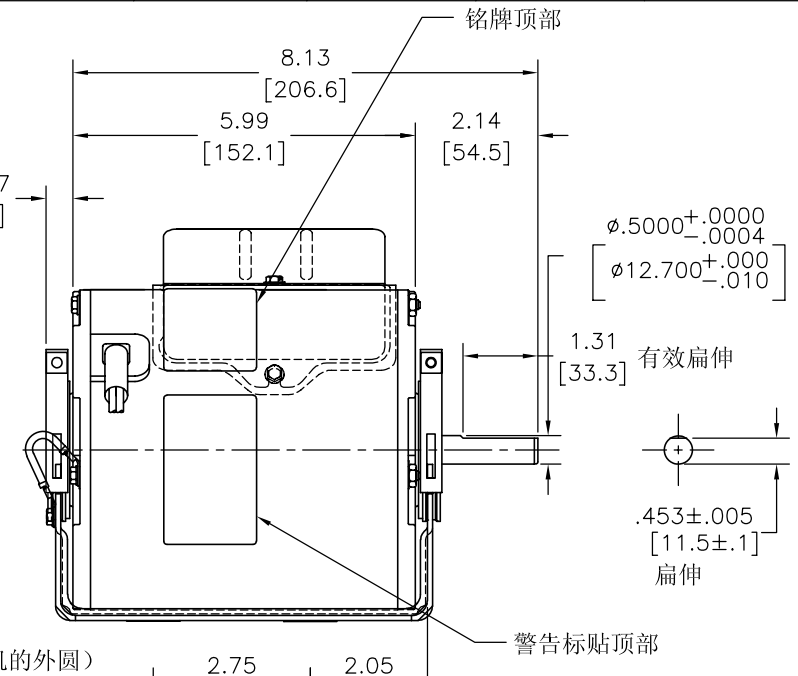
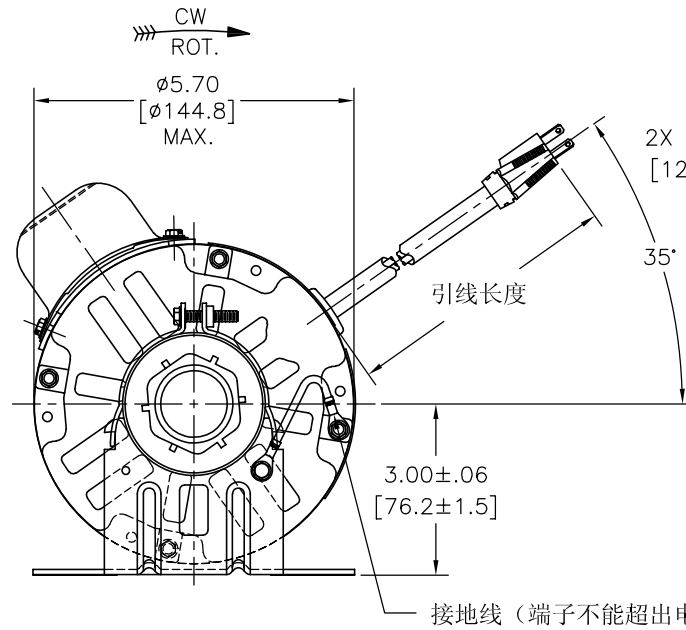
过载保护: 自动复位 (T. I. 7AM 036)

引线: 18# (美制标准), 厚.06[1.5] PVC 105° C 绝缘

引线: 18# (美制标准), 厚.06[1.5] PVC 105° C 绝缘

引线: 18GA, 厚.03[0.8] 绿色绝缘

NOTE:
DISTRIBUTION: CUST. P/N: 0547A
GRAINGER: CUST. P/N: 2FGP6



绿/黄 (接地线)	CONNECTED TO BASE	#10带环线
棕	CONNECTED TO CAPACITOR	.25[6.4] 旗形插
棕/白	CONNECTED TO CAPACITOR	.25[6.4] 旗形插
红	22.0/24.0 [559/610]	塞子
白	22.0/24.0 [559/610]	塞子
黑	22.0/24.0 [559/610]	塞子
颜色	长度	端子或剥线长度

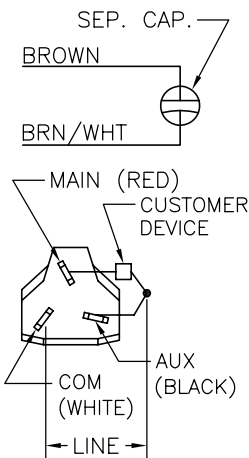
无引线端机壳	密封
无引线端端盖	开放
有引线端机壳	密封
有引线端端盖	开放

用户	DISTRIBUTION SERVICE
----	----------------------

铭牌数据

外部数据线

MODEL NO.: F48Z08A0
CUST. P/N: []
HP: 1/8
ROT.: CWLE
RPM: 700
TYPE: UF
FRAME: 48Y
VOLTS: 115
PH: 1
AMPS: 2.1
HZ: 60
INS.: B
AMB.: 40° C
DUTY: AIR OVER
CAP.: 6 MFD/370 V
ENCL: SEMI-ENCL.
UL LOGO
CSA LOGO
THERMALLY PROTECTED



614131-350

性能曲线编号	转矩在 @ 700 RPM (25° C)	批准样品	UL部件		CSA	
			文件号	指南	文件号	指南
C32671	16.4 OZ. FT.	0600521D	E46412	PRGY2	LR43341	4211-01

- 形位公差
- 平面度
- 直线度
- ∠ 倾斜度
- ⊥ 垂直度
- ∥ 平行度
- 圆度
- ⊘ 圆柱度
- ⊖ 面轮廓度
- ⊖ 线轮廓度
- ↗ 圆跳动
- ⊕ 位置度
- ⊙ 同轴度
- ≡ 对称度

A. O. SMITH在个别领域为客户
提供技术支持。鉴于A. O. SMITH
未收到任何涉及电机使用和
应用环境的数据, 电机的适用性
由客户自己决定。

未注公差尺寸仅供参考。

绘图:	jrupert	03/14/2007
批准:	dcao	03-14-2007
第三角投影	⊕	图纸格式发布日期 01-21-2007 图纸格式版本 E
机密:	本图纸及相关信息所有权归A. O. SMITH公司所有。 未经A. O. SMITH公司书面授权, 不得泄露、复制、传播或作 其他用途。— 版权所有	
ASME Y14.5M	1994	

A. O. SMITH ELECTRICAL PRODUCTS COMPANY TIFF CITY, OHIO		A DIVISION OF A. O. SMITH CORPORATION CORPORATION COPYRIGHT 1995	
名称: OUTLINE			
图幅: C	图号: F48Z08A01		
比例: NONE	页号: 1		

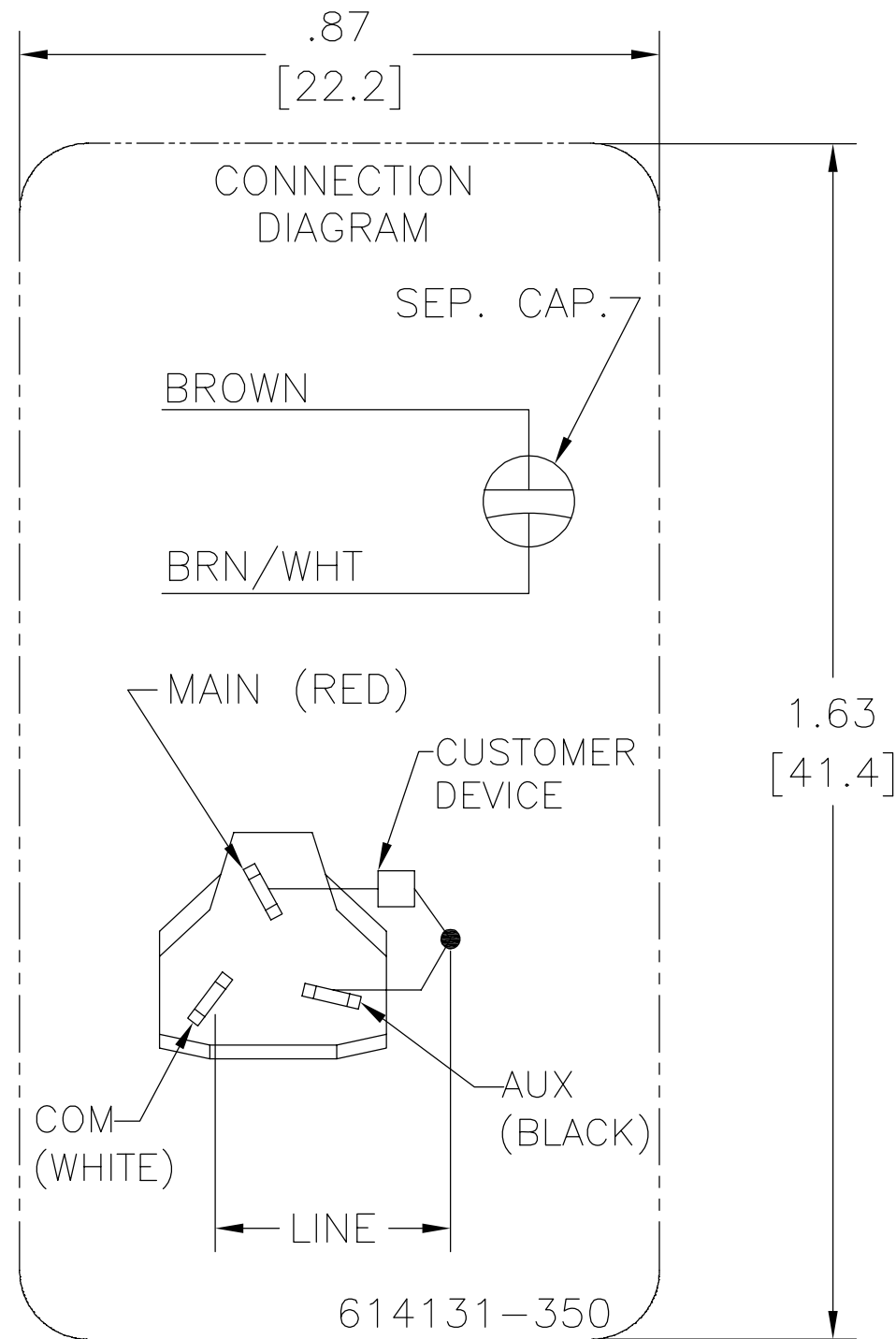
4

3

2

1

REV	ECO	REV BY	DATE	APPD	DATE
B	0004268	Lara Grado	02-05-2009	C. Contreras	02-05-2009



NOTES:

1. FOR USE WITH 614129 NAMEPLATE BLANK
2. ———— INDICATES DIMENSION LIMITS
3. DIE TO BE MADE FROM MASTER SUPPLIED BY A. O. SMITH CORPORATION
4. DIE MUST PRODUCE A LEGIBLE IMPRESSION.

GEOMETRIC CHARACTERISTICS & SYMBOLS

- ▭ FLATNESS
- STRAIGHTNESS
- ∠ ANGULARITY
- ⊥ PERPENDICULARITY (SQUARENESS)
- // PARALLELISM
- ROUNDNESS (CIRCULARITY)
- ⊘ CYLINDRICITY
- △ PROFILE OF ANY SURFACE
- ⤴ PROFILE OF ANY LINE
- ↑ RUNOUT
- ⊕ TRUE POSITION
- ◎ CONCENTRICITY
- ≡ SYMMETRY

UNLESS OTHERWISE SPECIFIED
DIM. TOLERANCES ARE AS FOLLOWS:

INCH	±.1	±.02	±.005	±.0005
mm	±0.5	±0.13	±0.013	

ANG. ±.50 DEG

REMOVE BURRS & BREAK SHARP EDGES:
INCH .003-.015 mm 0.1-0.4

CORNER FILLETS TO:
INCH .020 mm 0.5

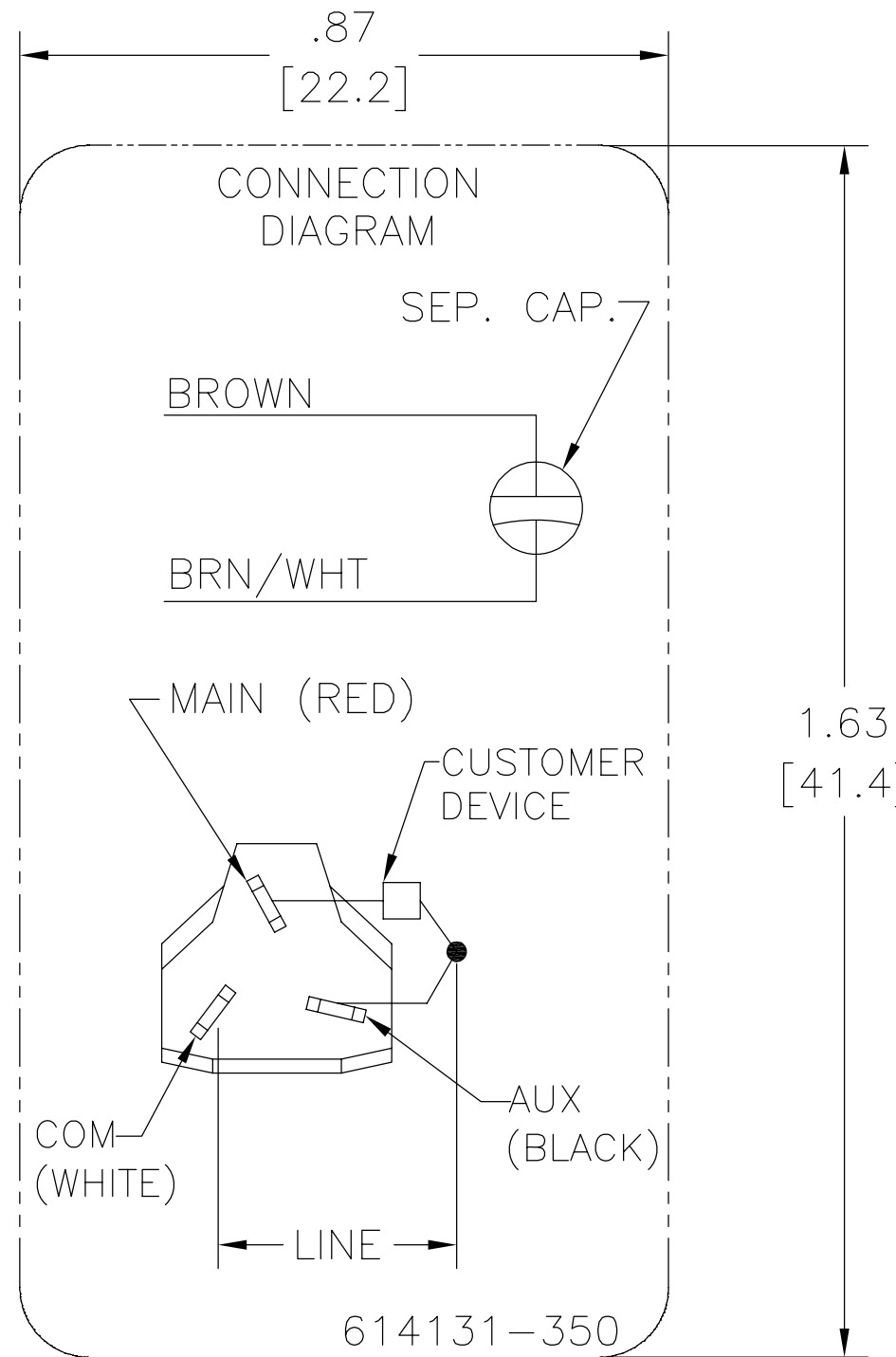
MACHINE SURFACES:
INCH 125 mm 3.2

METRIC DIMS. SHOWN IN [BRACKETS]

DR BY:	L. Grado	02-05-2009
APPD:	C. Contreras	02-05-2009
THIRD ANGLE PROJECTION		EDS DATE 01-21-2007 FORMAT REV F
CONFIDENTIAL: THIS DRAWING AND ITS INFORMATION ARE THE EXCLUSIVE AND CONFIDENTIAL PROPERTY OF A.O. SMITH CORP. AND ARE NOT TO BE DISCLOSED, DUPLICATED, DISTRIBUTED OR OTHERWISE USED WITHOUT THE WRITTEN CONSENT OF A.O. SMITH CORP. -ALL RIGHTS RESERVED. ASME Y14.5M 1994		

 Innovation has a name.		ELECTRICAL PRODUCTS COMPANY <small>A DIVISION OF A. O. SMITH CORPORATION</small>	
DESCRIPTION CONN DIAGRAM-EXTERNAL			
SIZE A	DWG NO 614131-350		
SCALE NONE			SHEET 1

REVISION:	ECO	REVISADO POR:	FECHA:	APROBADO POR:	FECHA:
B	0004268	Lara Grado	02-05-2009	C. Contreras	02-05-2009



NOTAS:

1. PARA USAR CON 614129 PLACA DE DATOS EN BLANCO.
2. ———— INDICA LIMITES DE DIMENSION
3. EL MOLDE DEBE ESTAR HECHO DESDE EL PROVEEDOR PRINCIPAL POR A. O. SMITH CORPORATION
4. EL MOLDE DEBE PRODUCIR UNA IMPRESION LEGIBLE.


CARACTERISTICAS DE GEOMETRIA Y SIMBOLOS

- ▭ PLANICIDAD
- RECTITUD
- ∠ ANGULARIDAD
- ⊥ PERPENDICULARIDAD (A ESCUADRA)
- // PARALELISMO
- REDONDEZ (CIRCULARIDAD)
- ⊘ CILINDRICIDAD
- ⊖ PERFIL DE CUALQUIER SUPERFICIE
- ⊖ PERFIL DE CUALQUIER LINEA
- ↑ VARIACION
- ⊕ POSICION REAL
- ◎ CONCENTRICIDAD
- ≡ SIMETRIA

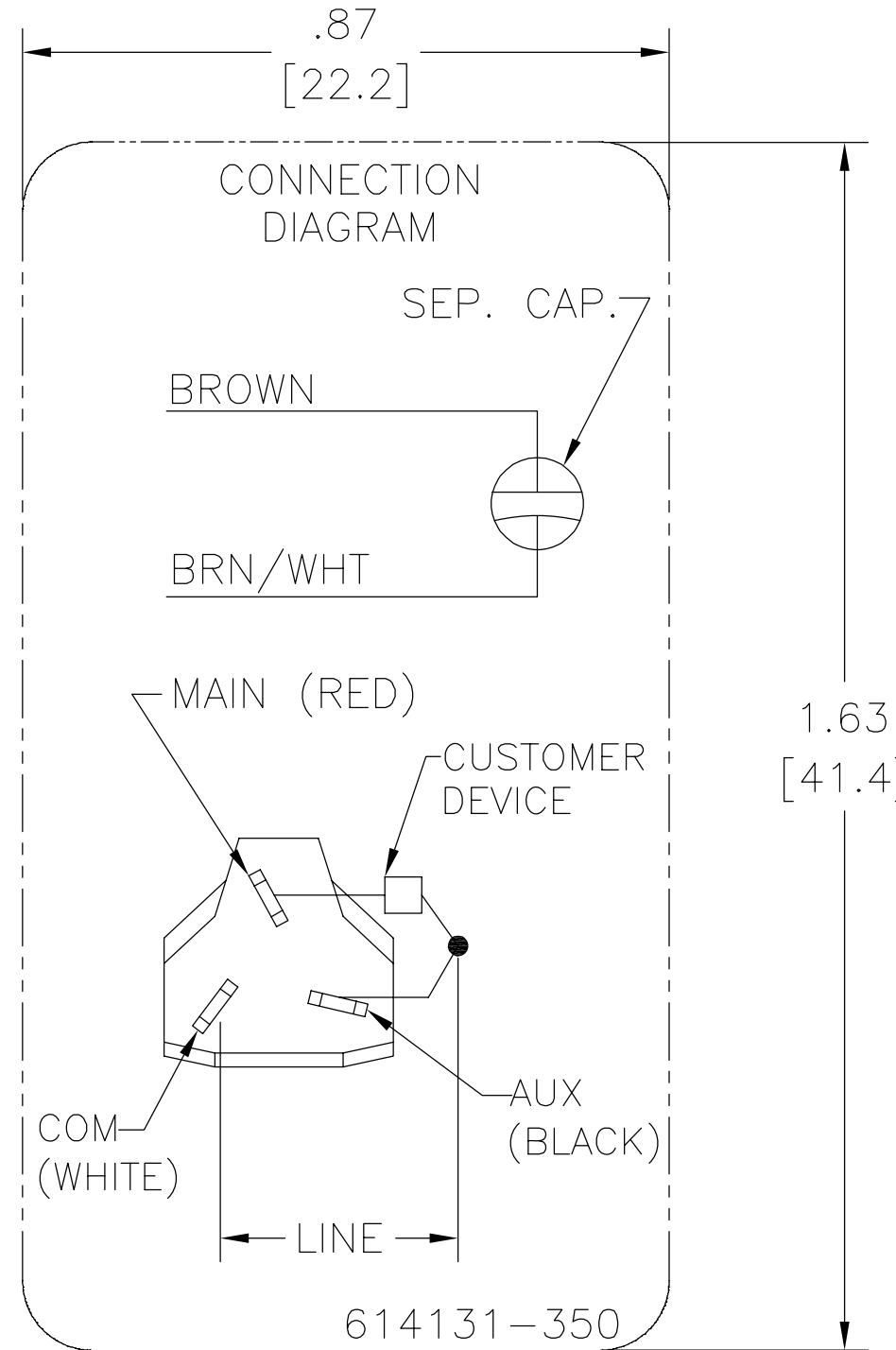
A MENOS QUE SE ESPECIFIQUE DE OTRA MANERA, LAS TOLERANCIAS DE LAS DIMS; SON LAS SIGUIENTES:

	X	XX	XXX	XXXX
PULG	±.1	±.02	±.005	±.0005
mm	±0.5	±0.13	±0.013	
ANG.	±.50 GRADOS			
ELIMINAR REBABAS Y ORILLAS FILOSAS DEL BORDE.				
	PULG	.003-.015	mm	0.1-0.4
	FILETEAR ESQUINA: PULG .020 mm 0.5			
	MAQUINAR SUPERFICIES			
	PULG	125	mm	3.2
DIMS METRICAS MOSTRADAS [PARENTESIS]				

DIBUJADO POR:	L. Grado	02-05-2009
APROBADO POR:	C. Contreras	02-05-2009
TERCER ANGULO DE PROYECCION	⊕	FECHA EDS: 01-21-2007
		REV. FORMATO: F
CONFIDENCIAL: ESTE DIBUJO Y SU INFORMACION SON PROPIEDAD DE USO EXCLUSIVO Y CONFIDENCIAL DE A.O.SMITH CORP. Y NO DEBERAN SER REVELADOS, DUPLICADOS, DISTRIBUIDOS O USARSE DE OTRA MANERA SIN EL CONSENTIMIENTO ESCRITO DE A.O. SMITH CORP. -TODOS LOS DERECHOS RESERVADOS.ASME Y14.5M 1994		

 ELECTRICAL PRODUCTS COMPANY <small>A DIVISION OF A. O. SMITH CORPORATION</small>	
DESCRIPCION: CONN DIAGRAM-EXTERNAL	
TAMAÑO: A	NUMERO DE DIBUJO: 614131-350
ESCALA: NONE	HOJA: 1

??	ECO	??	??	??
B	0004268	Lara Grado	02-05-2009	C. Contreras 02-05-2009



□ ???
 - ???
 < ???
 ⊥ ???
 // ???
 ○ ???
 ∅ ???
 △ ???
 ∩ ???
 ↑ ???
 ⊕ ???
 ⊙ ???
 = ???

?????
 ??????
 ?? X XX XXX XXXX
 ?? ±.1 ±.02 ±.005 ±.0005
 ?? ±0.5 ±0.13 ±0.013
 ?? ±.50 ?
 ??????
 ?? .003-.015 ?? 0.1-0.4
 ???
 ?? .020 ?? 0.5
 ?????
 ?? 125 ?? 3.2
 ??????[]

??:	L. Grado	02-05-2009
??:	C. Contreras	02-05-2009
?????	⊕	?????? 01-21-2007
		????? F
??:	????????????????A.O.SMITH?????	
??:	??A.O.SMITH????????????????????	
?????	?????--?????	
	ASME Y14.5M 1994	

		ELECTRICAL PRODUCTS COMPANY <small>A DIVISION OF A. O. SMITH CORPORATION</small>	
CONN DIAGRAM-EXTERNAL			
??	A	??	614131-350
??	NONE	??	1