

Belt Drive Tube Axial Duct Fans

BTA, WTA & HTA SERIES

Designed for duct connected applications such as paint booth exhaust, air make-up fans, general exhaust, etc.



Paint color on HTA models is beige.

FEATURES

BTA - FOR CLEAN, DRY AIR WITH A MAXIMUM TEMPERATURE OF 200°F (95°C)

- Adjustable motor base.
- Heavy duty pillow block ball bearings with high temperature grease.
- Extended lube lines with external grease fittings.
- TEFC motors are standard.
- Cast aluminum blades up to 48"; fans 54" & 60" have polypropylene reinforced fiberglass blades.
- Airfoil shaped belt tube for improved efficiency; motor, belts, drives and bearings are isolated from air stream.

WTA - FOR MOISTURE LADEN AIR WITH A MAXIMUM TEMPERATURE OF 200°F (95°C)

- Heavy duty pillow block bearings with moisture displacement collars + stainless steel shaft.

HTA - FOR CLEAN, DRY AIR WITH A MAXIMUM TEMPERATURE OF 375°F (190°C)

- Paint color is beige on these models, high temperature bearings and grease.



BTA, WTA & HTA SERIES

Belt Direct Tube Axial Duct Fans

TECHNICAL SPECIFICATIONS

OPTIONS & ACCESSORIES

For a complete listing of all available options and accessories available for this fan and ordering guidelines, see Tube Axial Duct Fan Options & Accessories page.

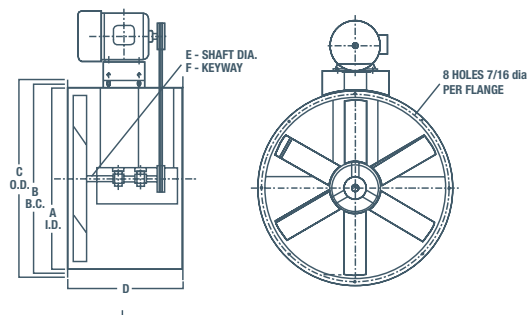
When ordering, replace "T" in the model name shown in the specifications table with ALL letters of the options and accessories required, as shown on the Tube Axial Duct Fan Options page.

Options must be requested at time of order, as they cannot be added later.

To order WTA or HTA models, replace "BTA" with "WTA" or "HTA" in the specifications table.

Non-stock, made-to-order products are non-returnable and cannot be cancelled.

DIMENSIONS



FAN SIZE	A	B	C	D	E	F	WEIGHT (lbs) without motor
12"	12"	14"	15 1/8"	17"	3/4"	3/16"	53
15"	15 3/8"	17"	18 3/8"	17"	3/4"	3/16"	62
18"	18 3/8"	20"	21 3/8"	21"	1"	1/4"	76
24"	24 3/8"	25 7/8"	27 3/8"	21"	1 3/16"	1/4"	132
30"	30 3/8"	32 3/8"	33 3/8"	21"	1 7/16"	3/8"	174
34"	34 3/8"	36 3/8"	37 3/8"	27"	1 7/16"	3/8"	225
36"	36 3/8"	38 3/8"	39 3/8"	27"	1 7/16"	3/8"	239
42"	42 3/8"	44 3/8"	45 3/8"	32"	1 7/16"	3/8"	326
48"	48 3/8"	50 3/8"	51 3/8"	32"	1 15/16"	1/2"	420
54"	54 3/8"	56 3/8"	57 3/8"	40"	1 15/16"	1/2"	552
60"	60 3/8"	62 3/8"	63 3/8"	40"	1 15/16"	1/2"	601

TUBE AXIAL DUCT FAN OPTIONS & ACCESSORIES

When ordering, replace "T" in the Model Number (in the Performance Specification Chart) with ALL accessory code as shown on this page.

Options must be requested at time of order, as they cannot be added later.
Non-stock, made-to-order products are non-returnable and cannot be cancelled.



DISCONNECT SWITCH

Accessory Code: **A**

See page K4 in Controls & Thermostats section for more information.

Ships loose.

Available as an accessory ordered separately.



INLET GUARDS OUTLET GUARD

Accessory Code:

B Inlet | J Outlet

Spiral plated OSHA guard. Fits intake or exhaust. Can be used in conjunction with companion ring. To order installed, add letter to part number.

Also available as an accessory ordered separately.

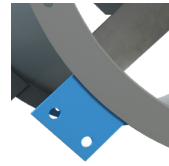


CR - COMPANION RING

Accessory Code: **C**

1/4" plate angle ring. Used to attach guards or ducts to tube axial fans. To order installed, add letter to part number.

Also available as an accessory ordered separately.



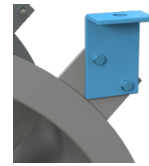
SCV - VERTICAL SUPPORT CLIPS

Accessory Code: **D**

1/4" plate horizontal support clips.

Bolts to the vertical support clips welded to the fan. Two clips per end. Must be used with vertical clips (D).

Must be requested at time of order.



SCH - HORIZONTAL SUPPORT CLIP

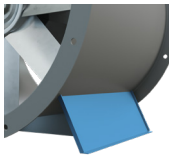
Option Code: **K**

Heavy duty support legs welded to the fan.

Suitable for floor-mount tube axial fans. 4" standard; 16" available (consult factory).

Sold in pairs.

Must be requested at time of order.



SPL - SUPPORT LEGS

Accessory Code: **E**

Heavy duty support legs welded to the fan. Suitable for floor-mount tube axial fans.

4" standard; 16" available (consult factory). Sold in pairs. Must be requested at time of order.



MCVR - MOTOR & BELT COVER

Accessory Code: **F**

8-gauge galvanized steel. Acts as both motor and belt cover.

3/4" expanded-metal screen allows motor heat escape. Bolts to motor mount. For HTA/BTA/WTA fans only. To order installed, add letter to part number.

Also available separately.



BLG - BELT GUARD

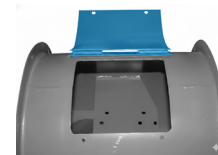
Accessory Code: **G**

Protects belts and drives. 18-gauge galvanized steel.

For HTA/BTA/WTA fans only. Not required if using Motor Cover (F).

To order installed, add letter to part number.

Also available separately.



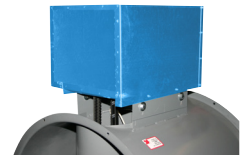
ID - INSPECTION DOOR

Accessory Code: **H**

10" x 12" hinged and bolted door.

Air-dry finish. Can be installed in a location specified by customer.

Must be requested at time of order.



WC - WEATHER COVER

Accessory Code: **L**

18-gauge galvanized steel. Acts as both motor and belt cover.

Fully enclosed for weather protection.

Bolts to motor mount. For HTA/BTA/WTA fans only. To order installed, add letter to part number.

Also available separately.

SPECIALS

Accessory Code: **I**

Explosion-proof motors
Steel fan blades
Optional coating

Must be requested at time of order.

ORDERING EXAMPLES



EX 1) If ordering a BTA18T10050 with support legs (E) and an inspection door (H), use E & H here: **BTA18EH10050**.

EX 2) If ordering a BTA18T10050 with horizontal clips & belt guard, use **BTA18DKG10050**.

WIRED JUNCTION BOX

Option Code: **W**

Wired junction box using BX cable. For BTA models only. Must be requested at time of order.

ACCESSORIES			OPTIONS INSTALLED WELDED TO TUBE			
FAN SIZE	COMPANION RING	GUARD	HORIZONTAL CLIP	SUPPORT LEG	VERTICAL CLIP	INSPECTION DOOR
12"	CR12P	MC12G	SCH12-60 (Must order vertical clip accessory)	SPL12	SCV12-60	ID12
15"	CR15P	MC15G		SPL15		ID15
18"	CR18P	MC18G		SPL18		ID18
20"	CR20P	MC20G		SPL20		ID20
24"	CR24P	MC24G		SPL24		ID24
30"	CR30P	MC30G		SPL30		ID30
34"	CR34P	MC34G		SPL34		ID34
36"	CR36P	MC36G		SPL36		ID36
42"	CR42P	MC42G		SPL42		ID42
48"	CR48P	MC48G		SPL48		ID48
54"	CR54P	MC54G		SPL54		ID54
60"	CR60P	MC60G		SPL60		ID60

ACCESSORIES		
BTA SIZE	WEATHER COVER	MOTOR COVER
12" - 18"	MCVR1-WP	MCVR1
24" - 30"	MCVR2-WP	MCVR2
34" - 36"	MCVR3-WP	MCVR3
42" - 48"	MCVR4-WP	MCVR4
54" - 60"	MCVR5-WP	MCVR5

ACCESSORIES	
FRAME SIZE	BELT GUARD
48 - 145T	BLGD1
182T - 184T	BLGD2
213T - 256T	BLGD3
284 AND UP	BLGD4