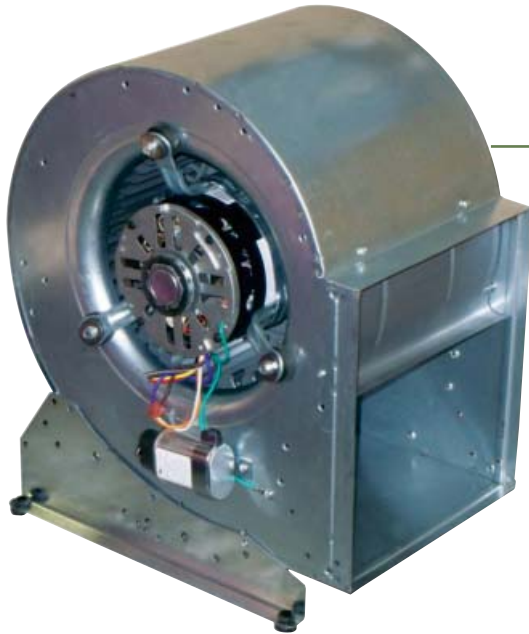


G-DD SERIES

Centrifugal, Forward Curved, Direct Drive DWDI Blowers



ALSO AVAILABLE IN GREEN SERIES.
SEE PRICE BOOK FOR DETAILS.

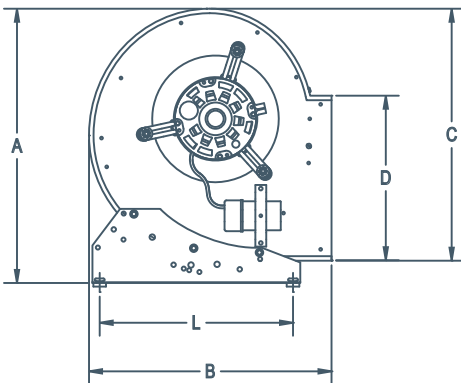
PERFORMANCE SPECIFICATIONS

STATIC PRESSURE - IN W.G.									
MODEL - HP	0.5	0.6	0.7	0.8	0.9	1.0	1.2	1.4	1.6
CFM @ Medium Speed (see curves for High & Low speed performance)									
G9-7-DD-1/3	--	--	1148	1041	841	--	--	--	--
G9-7-DD-1/2	1363	1270	1170	1045	865	--	--	--	--
G9-DD-1/3	--	--	1213	1025	742	--	--	--	--
G9-DD-1/2	--	1444	1316	1172	979	--	--	--	--
G10-8-DD-1/2	--	--	--	--	1372	1238	--	--	--
G10-8DD-3/4	--	--	--	--	--	1535	800	--	--
G10-DD-1/2	--	--	--	1514	1335	1115	--	--	--
G10-DD-3/4	--	--	1665	1581	1486	1379	1000	--	--
G12-9-DD-3/4	--	--	--	--	--	--	1358	1174	870
G12-10-DD-3/4	--	--	--	--	--	--	1393	1102	--

FEATURES

- 3 speed, 115V, PSC motor.
- Corrosion resistant G90 galvanized housing.
- Universal base for 4 position discharge.
- Heavy duty, resilient mount, motor mounting bracket.

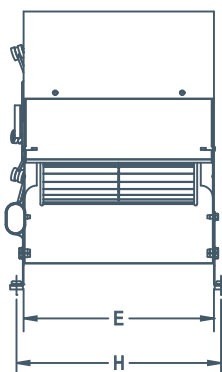
DIMENSIONS



UNIVERSAL BASE FOR 4 POSITION DISCHARGE



HEAVY DUTY MOTOR MOUNTING BRACKET



MODEL - HP	A	B	C	D	E	H	L	UNIT WEIGHT (LBS) (without motor & drives)
G9-7-DD-1/3	16 15/16"	15 1/16"	15 9/16"	10 1/4"	9 3/16"	10 3/16"	11 3/4"	33
G9-7-DD-1/2								36
G9-DD-1/3								37
G9-DD-1/2	16 15/16"	15 1/16"	15 9/16"	10 1/4"	11 13/16"	12 13/16"	11 3/4"	39
G10-8-DD-1/2								40
G10-8DD-3/4	19"	16 3/4"	17 3/8"	11 3/8"	10 1/2"	11 1/2"	13 3/8"	41
G10-DD-1/2								42
G10-DD-3/4	19"	16 3/4"	17 3/8"	11 3/8"	13 1/8"	14 1/8"	13 3/8"	45
G12-9-DD-3/4	22 1/8"	19 1/2"	20 5/8"	13 7/16"	12 1/4"	13 1/4"	16 1/8"	46
G12-10-DD-3/4	22 1/8"	19 1/2"	20 5/8"	13 7/16"	13 1/8"	14 1/8"	16 1/8"	47