

ECsmart Motors

High efficiency motors designed with user interface for speed control.



**FEATURING EC MOTORS
- UP TO 70% EFFICIENCY**



**ENERGY SAVINGS OF UP TO 70% OVER
REGULAR DUTY PSC MOTORS**

FEATURES

- High efficiency, up to 85% efficiency with watt savings of 30% to 70%
- Variable HP & speed
- 1/4 HP to 1.0 HP, 1800, 1200 and 1000 RPM models available
- 48 NEMA frame with all AC motor mounting options available for drop in replacement of AC motors
- Soft start - quiet and lower start up amperage loads
- Advanced electronic protection- cool running and self-limiting thermal and amperage control
- Totally enclosed or ODP with reversible options - suitable for many applications
- Available with or without built in potentiometer which can be controlled remotely using optional 0-10V control
- Standard LED display for RPM readout
- 120/208-280V
- Single phase, 50/60 HZ
- Separate AC and DC power connection boxes for safety.
- Customizable Maximum RPM to match wheel/blade/product restraints.



ODP & TEAO WITH WITH BUILT IN SPEED CONTROL

Meets IE4 Super Premium Efficiency
Rating Threshold – 1/2hp, 1800 rpm
reaches 87% Peak Efficiency





ECsmart Motors

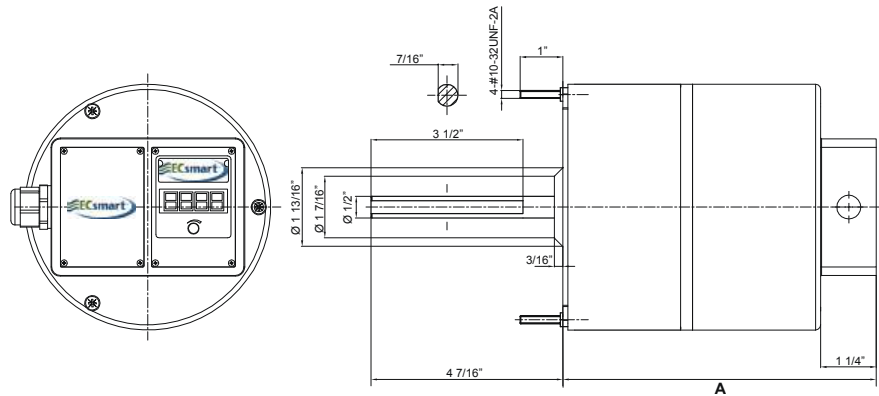
PERFORMANCE SPECIFICATIONS

	MODEL NUMBER	HP	RPM	VOLTS	AMPS	HZ	SHIP WT. (LBS)
Totally Enclosed with Built In Speed Control	8842025-RPM18	1/4	300-1800	120/208-280V	3.1/1.8-1.5	50/60	10
	8842050-RPM18	1/2	300-1800	120/208-280V	5.7/3.4-2.6	50/60	10
	8842050-RPM12	1/2	300-1200	120/208-280V	5.7/3.5-2.8	50/60	10
	8842075-RPM10	3/4	300-1000	120/208-280V	TBA	50/60	15
ODP with Built In Speed Control	8844025-RPM18	1/4	300-1800	120/208-280V	3.1/1.8-1.5	50/60	10
	8844033-RPM18	1/3	300-1800	120/208-280V	4.1/2.5-2.0	50/60	10
	8844050-RPM18	1/2	300-1800	120/208-280V	5.7/3.4-2.6	50/60	10
	8844050-RPM12	1/2	300-1200	120/208-280V	5.7/3.5-2.8	50/60	10
	8844075-RPM18	3/4	300-1800	120/208-280V	7.7/4.7-3.7	50/60	15
	8844100-RPM18	1	300-1800	120/208-280V	11/6.4-5.2	50/60	15
	8844100-RPM12	1	300-1200	120/208-280V	11.5/7.2-5.4	50/60	15

Please note: Specifications are subject to change without notice as the product is still in development stages. See Controls section for speed controls for above motors.

DIMENSIONS

MODEL	A
8842025-RPM18/10V18	7 1/4"
8842033-RPM18/10V18	7 1/4"
8842050-RPM18/10V18	7 1/4"
8842050-RPM12/10V12	8"
8842075-RPM18/10V18	8"
8842075-RPM10/10V10	8"
8842100-RPM18/10V18	8"
8842100-RPM12/10V12	7 1/4"





greenchoice
EC
MOTORS

High performance,
low energy bills