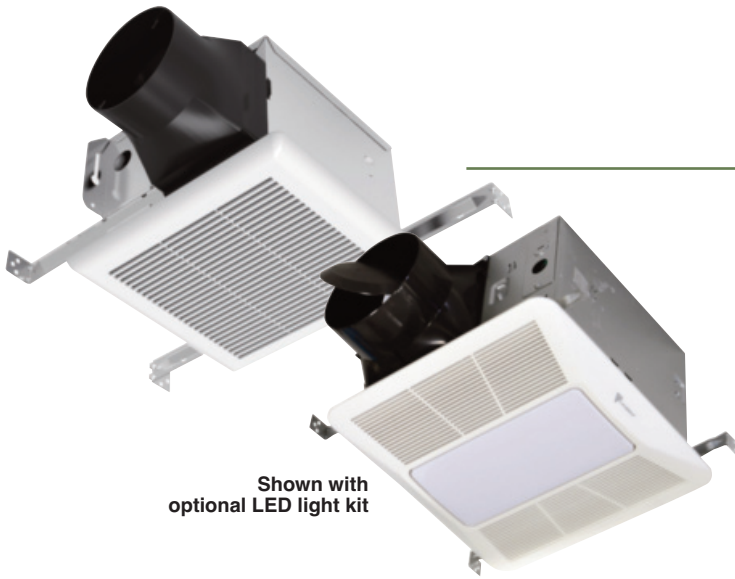


CP SERIES

Ultra Quiet, High Performance Exhaust Fans



Shown with optional LED light kit



Canarm's CP series fans are ultra quiet and come complete with efficient and long lasting capacitor start motor.

FEATURES

- Ultra quiet operation..
- Plug in permanently lubricated motor engineering for continuous operation.
- Motor comes with a built in overload disconnect for safety and long life.
- Holds an ETL evaluation and conforms to UL and cUL safety standards.
- Rugged 26 GA galvanized steel housing.
- Detachable 4" polymeric collar which includes a light weight built-in back draft damper.
- Elegant yet simple, low profile grille.

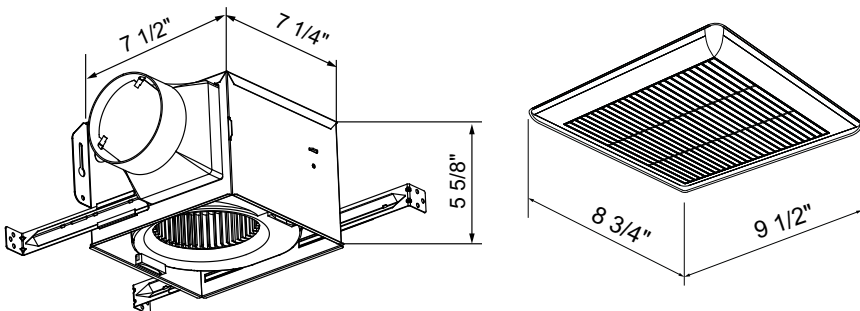
PERFORMANCE SPECIFICATIONS

MODEL	CFM	STATIC PRESSURE (IN W.G.)	SONES	WATTS	POWER (V/HZ)	DUCT DIAMETER
CP50	50	0.1	0.4	17	120/60	4"
	42	0.25	N/A			
CP80	80	0.1	1.0	22	120/60	4"
	72	0.25	N/A			
CP80LED (with LED light)	80	0.1	1.0	22	120/60	4"
	72	0.25	N/A			

ACCESSORIES

- LED light kit
- Radiation damper

DIMENSIONS



FAN CURVES

