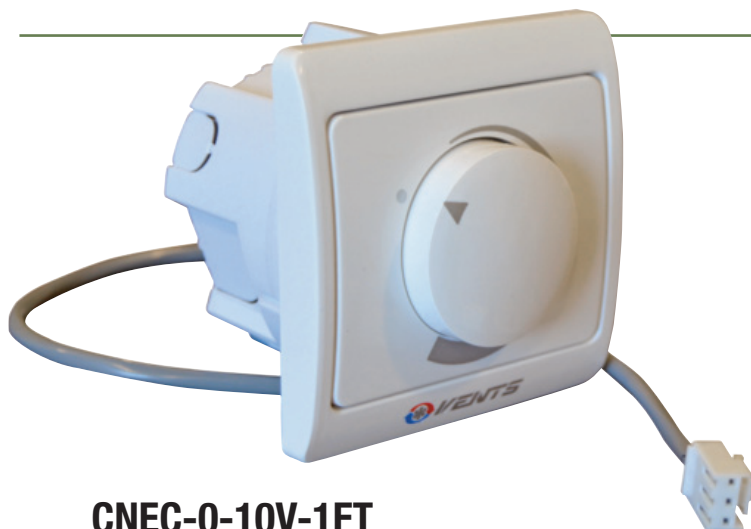


CNEC CONTROLS

EC Motor Speed Controls



CNEC-0-10V-1FT

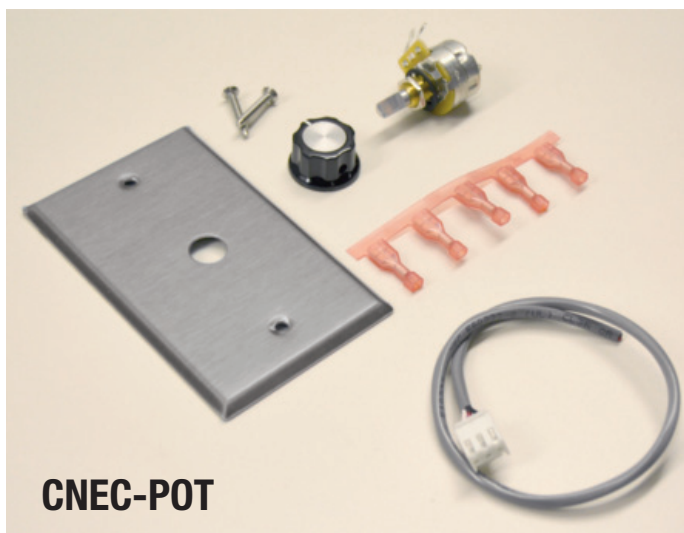
Our EC motors accept a 0-10v control from a remote potentiometer. The “pot” can be located up to 100 feet away from the motor. This will give the motor full variable speed based on the min and max rpm set at factory.

Part numbers for the pot and wiring harnesses are as follows:

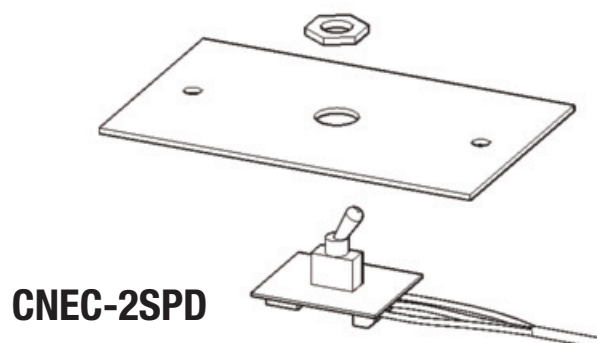
MODEL	DESCRIPTION
CNEC-0-10V-1FT	Plastic housed potentiometer switch
CNEC-POT	Remote potentiometer
CNEC-2SPD	2 speed variable switch
CNEC-2SPDW	2 speed variable switch, weather resistant

NOTE: All switches include CNEC-1FT

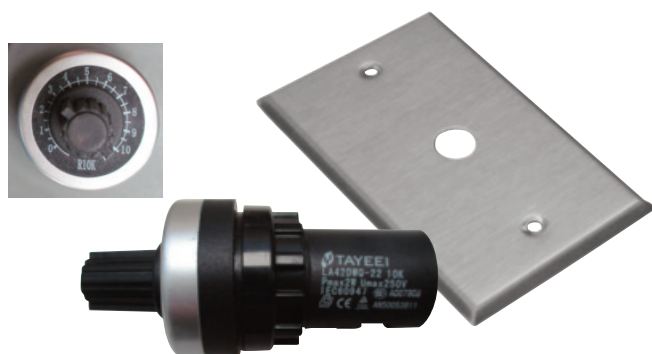
MODEL	DESCRIPTION
CNEC-1FT	1 ft control cable
CNEC-4FT	4 ft control cable
CNEC-10FT	10 ft control cable
CNEC-50FT	50 ft control cable
CNEC-100FT	100 ft control cable



CNEC-POT



CNEC-2SPD



CNEC-10V

MODEL	DESCRIPTION
CNEC-10V	EC Motor Control - 0 to 10 V