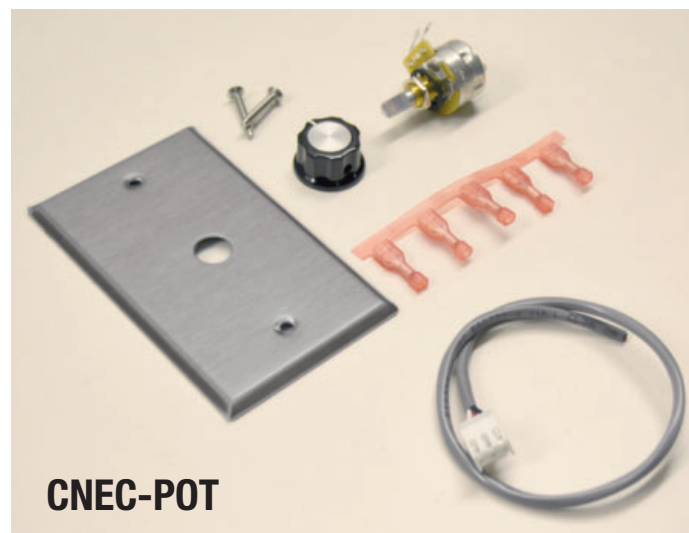


# CNEC CONTROLS

## EC Motor Speed Controls



**CNEC-0-10V-1FT**



**CNEC-POT**



**CNEC-10V**

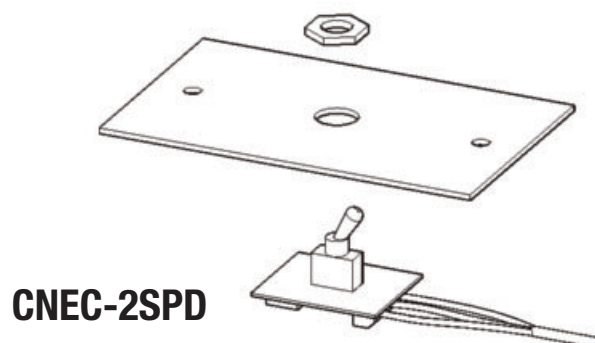
Our EC motors accept a 0-10v control from a remote potentiometer. The “pot” can be located up to 100 feet away from the motor. This will give the motor full variable speed based on the min and max rpm set at factory.

Part numbers for the pot and wiring harnesses are as follows:

MODEL	DESCRIPTION
<b>CNEC-0-10V-1FT</b>	Plastic housed potentiometer switch
<b>CNEC-POT</b>	Remote potentiometer
<b>CNEC-2SPD</b>	2 speed variable switch
<b>CNEC-2SPDW</b>	2 speed variable switch, weather resistant

NOTE: All switches include CNEC-1FT

MODEL	DESCRIPTION
<b>CNEC-1FT</b>	1 ft control cable
<b>CNEC-4FT</b>	4 ft control cable
<b>CNEC-10FT</b>	10 ft control cable
<b>CNEC-50FT</b>	50 ft control cable
<b>CNEC-100FT</b>	100 ft control cable



**CNEC-2SPD**

MODEL	DESCRIPTION
<b>CNEC-10V</b>	EC Motor Control - 0 to 10 V