

ALX-UD SERIES UPBLAST DIRECT DRIVE SPUN ALUMINUM EXHAUSTERS

Ideal for exhausting air from factories, offices, warehouses or commercial buildings. The ALX series spun aluminum exhaust fan can be used as either a roof top or wall mount exhaust fan.

FEATURES

- Spun aluminum housing will not rust, chip or peel.
- Aluminum backward inclined wheel is non-overloading.
- EC motors available, see ALX-UD-EC.
- Variable speed PSC motors available on ALX 090/105/120/135
- All motors are 1 Phase 120/240V operation and can be operated at 50 or 60 Hz.
- All units can be wall mounted.
- Quick release latches for easy motor access



UL705 POWER VENTILATOR
FOR RESTAURANT
EXHAUST APPLIANCES

PERFORMANCE SPECIFICATIONS & CFM RATINGS

| UNIT | MOTOR | | | AIRFLOW (CFM) @ STATIC PRESSURE | | | | | | | | | | | | | | | |
|------------------|-------|----------------|---------|---------------------------------|-----|------|-----|------|-----|------|-----|-------|-----|-------|-----|------|-----|------|-----|
| | HP | Variable Speed | Max RPM | 0.0" | | .25" | | .5" | | .75" | | 1.00" | | 1.25" | | 1.5" | | 2.0" | |
| | | | | High | Low | High | Low | High | Low | High | Low | High | Low | High | Low | High | Low | High | Low |
| ALX090-UD008V*** | 1/12 | Y | 1650 | 525 | 275 | 425 | 100 | 340 | 100 | - | - | - | - | - | - | - | - | - | - |
| ALX105-UD013V | 1/8 | Y* | 1650 | 950 | 526 | 850 | 451 | 725 | 300 | - | - | - | - | - | - | - | - | - | - |
| ALX120-UD033V | 1/3 | Y* | 1650 | 1400 | 977 | 1300 | 826 | 1175 | 751 | 1050 | 601 | 850 | 451 | - | - | - | - | - | - |
| ALX135-UD050V | 3/4 | Y | 1650 | 1950 | - | 1900 | - | 1800 | - | 1650 | - | 1550 | - | 1400 | - | 1300 | - | - | - |
| ALX150-UD100S | 1 | N | 1650 | 2450 | - | 2375 | - | 2275 | - | 2150 | - | 2050 | - | 1875 | - | 1700 | - | - | - |
| ALX165-UD150S | 1 1/2 | N | 1650 | 3400 | - | 3300 | - | 3200 | - | 3000 | - | 2900 | - | 2800 | - | 2600 | - | 2200 | - |

* Using MC5 (for 115V or MC5-230 (for 230V)

*** UL705 Only

| Model | Motor | | | Airflow (CFM) @ Static Pressure | | | | | | | | | | | | | | | |
|---------------|-------|----------------|---------|---------------------------------|------|---------|------|---------|------|---------|------|-------|------|-----------|------|-----------|------|-----------|-----|
| | HP | Variable Speed | Max RPM | 0" SP | | 1/4" SP | | 1/2" SP | | 3/4" SP | | 1" SP | | 1-1/4" SP | | 1-1/2" SP | | 1-3/4" SP | |
| | | | | CFM | FEI | CFM | FEI | CFM | FEI | CFM | FEI | CFM | FEI | CFM | FEI | CFM | FEI | CFM | FEI |
| ALX150-UD100S | 1 | N | 1650 | 2450 | 0.45 | 2375 | 0.67 | 2275 | 0.85 | 2150 | 1.01 | 2050 | 1.16 | 1875 | 1.25 | 1700 | 1.31 | - | - |

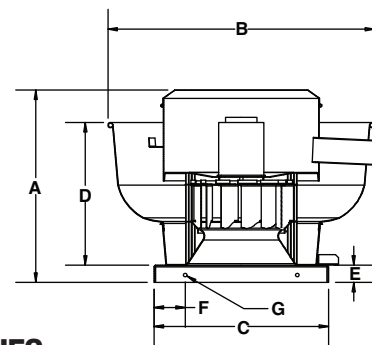
Consult our Delair fan selection software for fan curves and performance data.

www.canarm.com/delair

DIMENSIONS

| MODEL | DIMENSIONS (INCHES) | | | | | | | | | | WEIGHT (lbs) |
|-------------|---------------------|-------|-------|-------|-------|------|------|------|----------------|--------------|--------------|
| | A | B | C | C2 | D | E | F | G Ø | Wheel Diameter | Roof Opening | |
| ALX090-UD** | 14.25 | 17.75 | 19.00 | - | 9.50 | 2.00 | - | - | 9.00 | 13.00 | 30 |
| ALX105-UD | 18.00 | 25.00 | 19.00 | 21.00 | 13.00 | 1.50 | 3.50 | 0.38 | 10.50 | 15.00 | 35 |
| ALX120-UD | 19.00 | 25.00 | 19.00 | 21.00 | 13.00 | 1.50 | 3.50 | 0.38 | 12.25 | 15.00 | 37 |
| ALX135-UD | 22.25 | 32.13 | 21.00 | 24.75 | 17.13 | 2.00 | 3.75 | 0.44 | 13.50 | 17.00 | 53 |
| ALX150-UD | 23.13 | 32.13 | 21.00 | 24.75 | 17.13 | 2.00 | 3.75 | 0.44 | 15.00 | 17.00 | 58 |
| ALX165-UD | 27.13 | 37.50 | 24.75 | 28.00 | 21.13 | 2.00 | 4.00 | 0.44 | 16.50 | 20.75 | 100 |

** UL705 Only



OPTIONS & ACCESSORIES

- Motorized damper
- Gravity (automatic) damper
- Wall mount bracket (for all sizes up to 24")
- Bird screen
- Grease collection box (required for UL705 Power Ventilator for Restaurant Exhaust Appliances)
- Curb hinge
- Disconnect switches
- Roof Curbs
- MC series solid state variable speed controls (ALX105-135 models)
- Remote mount potentiometer (available soon - EC models)
- Other base (curb cap) options available. See C2 in dimensions table.

DISCONNECT SWITCHES

- Wire disconnect switches are available. See Controls & Thermostats section for details.



UL705 Supplement SC - Power Ventilator for Restaurant Exhaust Appliances certified, refer to our UL705 Supplement SC - Power Ventilator for Restaurant Exhaust Appliances Catalogue page C in *Roof Mount Ventilation* for all installation requirements



Canarm certifies that the ALX-UD Series shown herein are licensed to bear the AMCA Seal. The ratings shown are based on tests and procedures performed in accordance with AMCA Publications 211 & 311 and comply with the requirements of the AMCA Certified Ratings Programme.

The AMCA certified ratings seal applies to air and sound performance only. The ALX-UD Series shown herein are not approved by AMCA for FEI ratings.