

NEW | now with **EC MOTORS**
for energy savings

ALX-UD-EC SERIES UPBLAST DIRECT DRIVE SPUN ALUMINUM EXHAUSTERS



UL705 POWER VENTILATOR
FOR RESTAURANT
EXHAUST APPLIANCES

Ideal for exhausting air from factories, offices, warehouses or commercial buildings. The ALX series spun aluminum exhaust fan can be used as either a roof top or wall mount exhaust fan.

**FEATURING PERFECT
SPEED EC MOTORS - UP TO
82% EFFICIENCY**

**ENERGY SAVINGS OF UP
TO 70% OVER REGULAR
DUTY PSC MOTORS**



FEATURES

- Spun aluminum housing will not rust, chip or peel.
- Aluminum backward inclined wheel is non-overloading.
- For models with PSC motors see ALX-UD.
- Variable speed PSC motors available on ALX 090/105/120/135
- All motors are 1 Phase 120/240V operation and can be operated at 50 or 60 Hz.
- All units can be wall mounted.
- Quick release latches for easy motor access

DIMENSIONS

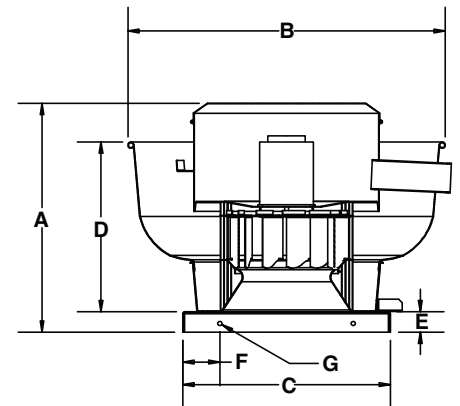
MODEL	DIMENSIONS (INCHES)								Wheel Diameter	Roof Opening	WEIGHT (lbs)
	A	B	C	C2	D	E	F	G Ø			
ALX105-UD-EC	18.00	25.00	19.00	21.00	13.00	1.50	3.50	0.38	10.50	15.00	35
ALX120-UD-EC	19.00	25.00	19.00	21.00	13.00	1.50	3.50	0.38	12.25	15.00	37
ALX135-UD-EC	22.25	32.13	21.00	24.75	17.13	2.00	3.75	0.44	13.50	17.00	53
ALX150-UD-EC	23.13	32.13	21.00	24.75	17.13	2.00	3.75	0.44	15.00	17.00	58
ALX165-UD-EC	27.13	37.50	24.75	28.00	21.13	2.00	4.00	0.44	16.50	20.75	100
ALX180-UD-EC	31.75	37.50	28.00	24.75	21.13	2.00	4.00	0.44	18.25	20.75	116
ALX210-UD-EC	36.25	43.75	33.13	40.00	25.50	2.50	4.00	0.44	21.00	29.00	178

OPTIONS & ACCESSORIES

- Motorized damper
- Gravity (automatic) damper
- Wall mount bracket (for all sizes up to 24")
- Bird screen
- Grease collection box (required for UL705 Power Ventilator for Restaurant Exhaust Appliances)
- Curb hinge
- Disconnect switches
- Roof Curbs
- MC series solid state variable speed controls (ALX105-135 models)
- Remote mount potentiometer (available soon - EC models)
- Other base (curb cap) options available. See C2 in dimensions table.

EC MOTORS

- EC motors offer true variable speed operation and up to 70% energy savings over PSC motors.
- On-board speed adjustment allows simple setup and balancing with LED display.
- Can be controlled remotely up to 50' using a remote mount potentiometer or 0-10V.



DISCONNECT SWITCHES

- Wire disconnect switches are available. See Controls & Thermostats section for details.



UL705 Supplement SC - Power Ventilator for Restaurant Exhaust Appliances certified, refer to our UL705 Supplement SC - Power Ventilator for Restaurant Exhaust Appliances Catalogue page C in Roof Mount Ventilation for all installation requirements



Canarm certifies that the ALX-UD-EC Series shown herein are licensed to bear the AMCA Seal. The ratings shown are based on tests and procedures performed in accordance with AMCA Publications 211 & 311 and comply with the requirements of the AMCA Certified Ratings Programme.

The AMCA certified ratings seal applies to air and sound performance only. The ALX-UD-EC Series shown herein are not approved by AMCA for FEI ratings.

ALX-UD-EC SERIES UPBLAST DIRECT DRIVE SPUN ALUMINUM EXHAUSTERS



PERFORMANCE SPECIFICATIONS & CFM RATINGS

UNIT	MOTOR			AIRFLOW (CFM) @ STATIC PRESSURE															
	HP	Variable Speed	Max RPM	0.0"		.25"		.5"		.75"		1.00"		1.25"		1.5"		2.0"	
				High	Low	High	Low	High	Low	High	Low	High	Low	High	Low	High	Low	High	Low
ALX105-UD033EC	1/3	Y	1800	1051	217	954	319	866	393	732	440	534	483	-	-	-	-	-	-
ALX120-UD050EC	1/2	Y	1800	1548	325	1422	336	1282	367	1133	395	947	408	633	438	-	-	-	-
ALX135-UD033EC	1/3	Y	1350	1578	400	1491	450	1346	600	1212	700	1053	850	-	-	-	-	-	-
ALX135-UD050EC	1/2	Y	1550	1850	400	1775	450	1650	600	1525	700	1375	850	1200	1000	-	-	-	-
ALX135-UD075EC	3/4	Y	1750	2100	400	2000	450	1900	600	1800	700	1700	850	1575	1000	1450	1100	-	-
ALX150-UD033EC	1/3	Y	1100	1735	600	1594	579	1403	663	1157	767	-	-	-	-	-	-	-	-
ALX150-UD050EC	1/2	Y	1350	2003	581	1934	688	1754	680	1595	733	1389	823	1114	765	-	-	-	-
ALX150-UD075EC	3/4	Y	1550	2353	696	2261	711	2161	733	2048	674	1917	827	1751	940	1574	980	1269	1052
ALX150-UD100EC	1	Y	1700	2544	647	2462	643	2361	732	2276	680	2173	830	2050	940	1896	972	1496	1144
ALX165-UD050EC	1/2	Y	1200	2595	861	2372	800	2155	921	1970	1068	1687	1155	-	-	-	-	-	-
ALX165-UD075EC	3/4	Y	1350	2965	861	2780	800	2579	921	2427	1068	2236	1155	1986	1318	1682	1405	-	-
ALX165-UD100EC	1	Y	1500	3179	878	3004	851	2816	921	2662	1068	2507	1155	2293	1318	2064	1405	1749	1524
ALX180-UD100EC	1	Y	1200	3400	1100	3200	1225	3000	1350	2700	1475	2400	1625	2025	1750	-	-	-	-
ALX210-UD100EC	1	Y	900	4300	1700	4000	1750	3725	1800	3400	1850	2900	1950	2200	2025	-	-	-	-

EC motors can be controlled using the built in potentiometer on motor or by using a 0 to 10 V controller, or by a remote potentiometer. Minimum motor speed 425 RPM (EC Models)

Model	Motor			Airflow (CFM) @ Static Pressure															
	HP	Variable Speed	Max RPM	0" SP		1/4" SP		1/2" SP		3/4" SP		1" SP		1-1/4" SP		1-1/2" SP		1-3/4" SP	
				CFM	FEI	CFM	FEI	CFM	FEI	CFM	FEI	CFM	FEI	CFM	FEI	CFM	FEI	CFM	FEI
ALX150-UD100EC	1	Y	1700	2544	0.47	2462	0.69	2361	0.88	2276	1.06	2173	1.21	2050	1.34	1896	1.43	1496	1.33
ALX165-UD100EC	1	Y	1500	3179	0.53	3004	0.77	2816	0.97	2662	1.15	2507	1.3	2293	1.4	2064	1.46	1749	1.43
ALX180-UD100EC	1	Y	1200	3400	0.6	3200	0.86	3000	1.09	2700	1.24	2400	1.35	2025	1.36	-	-	-	-
ALX210-UD100EC	1	Y	900	4300	0.59	4000	0.85	3725	1.07	3400	1.23	2900	1.29	2200	1.19	-	-	-	-

Consult our Delair fan selection software for fan curves and performance data. www.canarm.com/delair

ALX UPBLAST SERIES AIRFLOW RANGE WITH EC MOTORS

