

ALX-UB SERIES - UPBLAST BELT DRIVE SPUN ALUMINUM EXHAUSTERS



OPTIONS

- Motorized damper
- Gravity (automatic) damper
- Wall mount bracket (for all sizes up to 24")
- Bird screen
- Grease collection box (required for UL705 Power Ventilation for Restaurant Exhaust Appliances)
- Curb hinge
- Disconnect switches
- Roof curbs
- Other base (curb cap) options available. See C2 in dimensions table.

Ideal for exhausting air from restaurants, offices, warehouses or commercial buildings. The ALX series spun aluminum exhaust fan can be used as either a roof top or wall mount exhaust fan.

FEATURES

- Spun aluminum housing will not rust, chip or peel.
- Aluminum backward inclined wheel is non-overloading.
- Belt drive.
- For motor options consult our fan selection software Delair. www.canarm.com/delair
- Units up to 24" (max 2HP) can be wall mounted.
- Quick release latches for easy motor access.



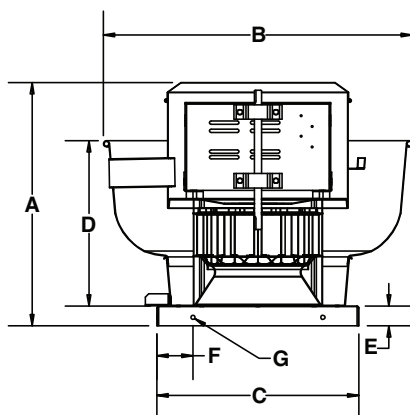
QUICK RELEASE LATCHES FOR EASY MOTOR ACCESS

DIMENSIONS

NOTE: DUE TO MOTOR MANUFACTURERS VARIANCES IN DESIGN, PLEASE SEE USER MANUAL FOR MOTOR DIMENSIONAL GUIDELINES.

MODEL	DIMENSIONS (INCHES)								Shaft Size	Wheel Diameter	Roof Opening	WEIGHT (lbs) without motors
	A	B	C	C2	D	E	F	G Ø				
ALX135-UB	25.25	32.13	21.00	24.75	17.13	2.00	3.75	0.44	3/4"	13.50	17.00	43
ALX150-UB	26.13	32.13	21.00	24.75	17.13	2.00	3.75	0.44	3/4"	15.00	17.00	45
ALX165-UB	31.13	37.50	24.75	28.00	21.13	2.00	4.00	0.44	3/4"	16.50	20.75	108
ALX180-UB	31.75	37.50	28.00	24.75	21.13	2.00	4.00	0.44	3/4"	18.25	20.75	116
ALX210-UB	36.25	43.75	33.13	40.00	25.50	2.50	4.00	0.44	1"	21.00	29.00	178
ALX245-UB	37.00	43.75	33.13	40.00	25.50	2.50	4.00	0.44	1"	24.50	29.00	183

Note: Net weights for belt drive units do not include motor & drives.



UL705 Supplement SC - Power Ventilator for Restaurant Exhaust Appliances certified, refer to our UL705 Supplement SC - Power Ventilator for Restaurant Exhaust Appliances Catalogue page C in *Roof Mount Ventilation* for all installation requirements



Canarm certifies that the ALX-UB Series shown herein are licensed to bear the AMCA Seal. The ratings shown are based on tests and procedures performed in accordance with AMCA Publications 211 & 311 and comply with the requirements of the AMCA Certified Ratings Programme.

The AMCA certified ratings seal applies to air and sound performance only. The ALX-UB Series shown herein are not approved by AMCA for FEI ratings.

DISCONNECT SWITCHES

- Wire disconnect switches are available. See Controls & Thermostats section for details.



ALX-UB SERIES - UPBLAST BELT DRIVE SPUN ALUMINUM EXHAUSTERS

PERFORMANCE SPECIFICATIONS

ALX UB WITH MOTORS & DRIVES and wired disconnect

Single Phase	RPM Range	HP	RPM	Values @ 0.5" SP		0" SP		0.25" SP		0.5" SP		0.75" SP		1" SP		1.25" SP		1.5" SP		
				BHP	Sones	CFM	FEI	CFM	FEI	CFM	FEI	CFM	FEI	CFM	FEI	CFM	FEI	CFM	FEI	CFM
ALX135UBT10025**	862-1293	1/4	1078	0.15	8.6	1204	-	1053	-	870	-	-	-	-	-	-	-	-	-	-
ALX135UBT10033**	932-1398	1/3	1260	0.24	12.8	1405	-	1284	-	1143	-	964	-	-	-	-	-	-	-	-
ALX135UBT10050**	1122 - 1552	1/2	1458	0.36	16.5	1629	-	1523	-	1405	-	1274	-	1124	-	-	-	-	-	-
ALX150UBT10050**	932-1398	1/2	1288	0.41	20	1901	-	1801	-	1666	-	1470	-	1239	-	-	-	-	-	-
ALX150UBT10075**	1078-1617	3/4	1528	0.67	27	2261	-	2175	-	2079	-	1949	-	1786	-	1599	-	1364	-	-
ALX150UBT10100	1341-1820	1	1653	0.85	31	2443	0.40	2367	0.59	2280	0.76	2175	0.90	2040	1.02	1877	1.11	1705	1.16	-
ALX165UBT10100	1097-1489	1	1323	0.66	21	2598	0.53	2471	0.76	2350	0.97	2170	1.13	1954	1.24	1709	1.29	-	-	-
ALX165UBT10150	1254-1646	1.5	1554	1.03	26	3050	0.40	2929	0.58	2847	0.75	2724	0.90	2576	1.03	2391	1.12	2192	1.18	-
ALX180UBT10100	980-1293	1	1241	0.95	25	3504	0.48	3327	0.69	3114	0.87	2871	1.02	2584	1.11	2261	1.16	-	-	-
ALX180UBT10200	1097-1489	2	1403	1.35	30	3967	0.37	3805	0.55	3636	0.71	3438	0.84	3202	0.95	2952	1.03	2673	1.07	-
ALX210UBT10150	862-1132	1.5	1017	1.38	21	4792	0.43	4488	0.63	4152	0.78	3761	0.90	3321	0.97	2705	0.94	-	-	-
ALX245UBT10150	673-889	1.5	790	1.22	18.9	5668	0.56	5208	0.80	4655	0.97	3907	1.04	2998	1.00	-	-	-	-	-
ALX245UBT10200	745-979	2	862	1.58	22	6186	0.47	5772	0.68	5289	0.84	4678	0.95	3930	0.97	2975	0.89	-	-	-
ALX245UBT10300	862-1132	3	964	2.20	28	6913	0.38	6562	0.57	6146	0.72	5666	0.84	5075	0.91	4403	0.94	3588	0.90	-
Three Phase																				
ALX150UBT30100*	1341-1820	1	1653	0.85	31	2443	0.40	2367	0.59	2280	0.76	2175	0.90	2040	1.02	1877	1.11	1705	1.16	-
ALX165UBT30100*	1097-1489	1	1323	0.66	21	2598	0.53	2471	0.76	2350	0.97	2170	1.13	1954	1.24	1709	1.29	-	-	-
ALX165UBT30150*	1254-1646	1.5	1554	1.03	26	3050	0.40	2929	0.58	2847	0.75	2724	0.90	2576	1.03	2391	1.12	2192	1.18	-
ALX180UBT30100*	980-1293	1	1241	0.95	25	3504	0.48	3327	0.69	3114	0.87	2871	1.02	2584	1.11	2261	1.16	-	-	-
ALX180UBT30200*	1097-1489	2	1403	1.35	30	3967	0.37	3805	0.55	3636	0.71	3438	0.84	3202	0.95	2952	1.03	2673	1.07	-
ALX210UBT30150*	862-1132	1.5	1017	1.38	21	4792	0.43	4488	0.63	4152	0.78	3761	0.90	3321	0.97	2705	0.94	-	-	-
ALX245UBT30150*	673-889	1.5	790	1.22	18.9	5668	0.56	5208	0.80	4655	0.97	3907	1.04	2998	1.00	-	-	-	-	-
ALX245UBT30200*	745-979	2	862	1.58	22	6186	0.47	5772	0.68	5289	0.84	4678	0.95	3930	0.97	2975	0.89	-	-	-
ALX245UBT30300*	862-1132	3	964	2.20	28	6913	0.38	6562	0.57	6146	0.72	5666	0.84	5075	0.91	4403	0.94	3588	0.90	-

** 115V only. All other motors will be wired at high voltage.

For three phase motors, substitute "" with "M" for 230/460 volt (wired for 460V) or "P" for 575 volt

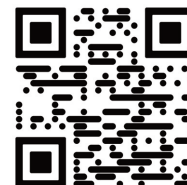
UL705 = 1Ø Only

ALX UB WITHOUT MOTORS & DRIVES

MODEL	MIN HP	MAX HP	MAX RPM	TYPICAL MAXIMUM CFM @ SP																	
				0"		0.25"		0.5"		0.75"		1"		1.25"		1.5"		2"		2.25"	
				CFM	FEI	CFM	FEI	CFM	FEI	CFM	FEI	CFM	FEI	CFM	FEI	CFM	FEI	CFM	FEI	CFM	FEI
ALX135-UB		3/4	1800	2000	0.59	1900	0.60	1800	0.79	1700	0.89	1600	0.99	1500	1.06	1400	1.09	-	-	-	-
ALX150-UB	1/4	1.5	1800	2700	0.97	2600	0.55	2500	0.70	2300	0.85	2200	0.94	2000	1.01	1800	1.07	1400	1.06	-	-
ALX165-UB	1/4	2	1800	3500	1.37	3400	0.49	3400	0.59	3300	0.69	3200	0.78	3000	0.87	2900	0.92	2500	1.01	2400	1.02
ALX180-UB	1/4	2	1500	4200	1.42	4100	0.53	3900	0.68	3800	0.77	3600	0.86	3300	0.93	3100	0.96	2500	1.01	1600	0.95
ALX210-UB	1/2	3	1300	6100	2.62	5900	0.42	5700	0.53	5400	0.64	5100	0.73	4800	0.81	4400	0.87	3600	0.93	2900	0.92
ALX245-UB	1/2	5	1200	7800	3.42	7500	0.42	7300	0.53	7000	0.64	6600	0.64	6200	0.80	5700	0.86	4500	0.91	3800	0.90

Consult our Delair fan selection software for full fan curves and performance data.
www.canarm.com/delair

* Motor adaptor plate required for 3HP+



View FEI charts
canarm.com/fei-alex