

# ALX-DD SERIES DOWNBLAST DIRECT DRIVE SPUN ALUMINUM EXHAUSTERS

Ideal for exhausting air from factories, offices, warehouses or commercial buildings. The ALX series spun aluminum exhaust fan can be used as either a roof top or wall mount exhaust fan.

## FEATURES

- Spun aluminum housing will not rust, chip or peel.
- Aluminum backward inclined wheel is non-overloading.
- EC motors available, see ALX-UD-EC.
- Variable speed PSC Motors available on ALX 090/105/120/135
- All motors are 1 Phase 120/240V operation and can be operated at 50 or 60 Hz.
- All units can be wall mounted.
- Quick release latches for easy motor access on ALX135 – ALX165.



**QUICK RELEASE  
LATCH FOR  
EASY MOTOR  
ACCESS**



## PERFORMANCE SPECIFICATIONS & CFM RATINGS

Model	Motor			Airflow (CFM) @ Static Pressure															
	HP	Variable Speed	Max RPM	0.0"		.25"		.5"		.75"		1.00"		1.25"		1.5"		1.75"	
				High	Low	High	Low	High	Low	High	Low	High	Low	High	Low	High	Low	High	Low
ALX090-DD008V	1/12	Y	1650	500	250	425	100	300	100	-	-	-	-	-	-	-	-	-	-
ALX105-DD013V	1/8	Y*	1650	950	526	875	451	760	225	-	-	-	-	-	-	-	-	-	-
ALX120-DD033V	1/3	Y*	1650	1300	977	1200	901	1000	751	800	601	600	451	-	-	-	-	-	-
ALX135-DD050V	3/4	Y	1650	1950	-	1900	-	1800	-	1650	-	1550	-	1400	-	1300	-	-	-
ALX150-DD100S	1	N	1650	2600	-	2500	-	2400	-	2250	-	2075	-	1950	-	1775	-	-	-
ALX165-DD150S	1 1/2	N	1650	3500	-	3400	-	3200	-	3100	-	2900	-	2700	-	2600	-	2100	-

\* Using MC5 (for 115V or MC5-230 (for 230V))

Model	Motor			Airflow (CFM) @ Static Pressure															
	HP	Variable Speed	Max RPM	0" SP		1/4" SP		1/2" SP		3/4" SP		1" SP		1-1/4" SP		1-1/2" SP		1-3/4" SP	
				CFM	FEI	CFM	FEI	CFM	FEI	CFM	FEI	CFM	FEI	CFM	FEI	CFM	FEI	CFM	FEI
ALX150-DD100S	1	N	1650	2600	0.58	2500	0.85	2400	1.08	2250	1.28	2075	1.43	1950	1.57	1775	1.66	-	-

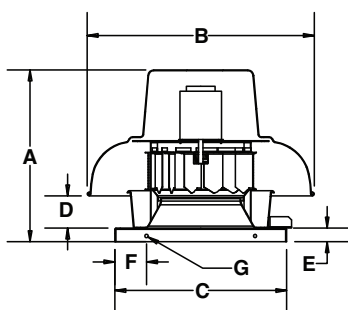
Consult our Delair fan selection software for fan curves and performance data.

[www.canarm.com/delair](http://www.canarm.com/delair)

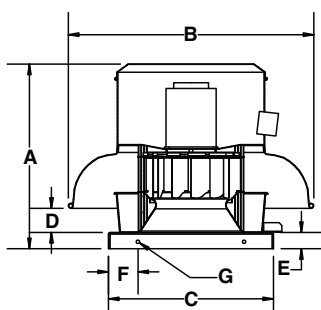
## DIMENSIONS

MODEL	DIMENSIONS (INCHES)										WEIGHT (lbs)
	A	B	C	C2	D	E	F	G Ø	Wheel Diameter	Roof Opening	
ALX090-DD	14.5	20.75	19	-	-	2	-	-	9	13	30
ALX105-DD	18.00	25.00	19.00	21.00	2.50	1.50	3.50	0.38	10.50	15.00	33
ALX120-DD	19.00	25.00	19.00	21.00	3.50	1.50	3.50	0.38	12.25	15.00	35
ALX135-DD	22.25	31.25	21.00	24.75	3.13	2.00	3.75	0.44	13.50	17.00	51
ALX150-DD	23.13	31.25	21.00	24.75	3.75	2.00	3.75	0.44	15.00	17.00	56
ALX165-DD	27.13	36.25	24.75	28.00	5.00	2.00	4.00	0.44	16.50	20.75	100

ALX105 / 120 - DD



ALX135 / 150 / 165 / 180 - DD



## OPTIONS & ACCESSORIES

- Motorized damper
- Gravity (automatic) damper
- Wall mount bracket (for all sizes up to 24")
- Bird screen
- Curb hinge
- Disconnect switches
- Roof Curbs
- MC series solid state variable speed controls (ALX 150/120 and 135)
- Remote mount potentiometer (available soon - EC models)
- Other base (curb cap) options available. See C2 in dimensions table.



Canarm certifies that the ALX-DD Series shown herein are licensed to bear the AMCA Seal. The ratings shown are based on tests and procedures performed in accordance with AMCA Publications 211 & 311 and comply with the requirements of the AMCA Certified Ratings Programme.

The AMCA certified ratings seal applies to air and sound performance only. The ALX-DD Series shown herein are not approved by AMCA for FEI ratings.