

## PAM24-112 — Submittal/Technical Data

04/05/20

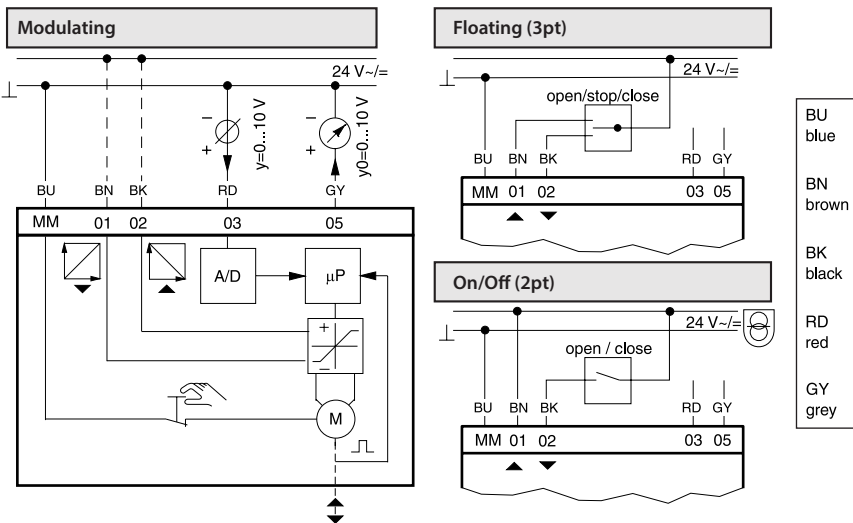
112 lb-force — Non-Fail Safe — On-Off, Floating & Modulating

### Specifications: For Simple Set Max PIC Valve sizes 2-1/2" to 3"

Power Supply	Operating Voltage	24 VAC (+/-20%) at 50/60 Hz or 24 VDC (+20%, -10%)
	Power Consumption	3.5 W, 6.6 VA
Control Signal	Input Signal	On/Off, Floating and Modulating - 0 to 10 V, Ri > 100kΩ
Position Feedback Signal		0 to 10 V, Load > 10 kΩ
	Starting Point U <sub>0</sub>	0 or 10 V
	Control Span ΔU	10 V
	Switching Range Xsh	200 mV
Action		Direct or Reverse Acting
Stroke		0.31 to .78 inches (8 to 20mm)
Run Time		112.5 Seconds default <sup>1</sup> at full stroke for SS-150 & 2
Response Time		200 ms
Manual Override		Yes
Enclosure Rating		IP54 (NEMA 3S Equivalent); Flame Retardant Plastic - Not intended for outdoor use without additional protection.
Maximum Media Temperature		212°F (100°C)
Ambient Temperature		14° to 131°F (-10° to 55°C)
Humidity Rating		5 to 85% RH Non Condensing
Connection		5 x 20 AWG (0.20 mm <sup>2</sup> )
Life Cycle		80,000
Agency Certification		CE
Dimensions		5.73"L x 2.76"W x 7.13"H (145.5 x 70 x 181.2mm)
Weight		2.2 lb. (1 kg)

<sup>1</sup>Dip switch adjustable

### Wiring: (Cable)



### DIP Switches

Running Time per mm	Switch Coding	Running Time for 8 mm of Stroke	Running Time for 20 mm of Stroke
7.5 s Default Setting for SS PIC Valve	<p>Run Time - Switch (1) Characteristic - Switches (2) &amp; (3)</p>	60 s ± 2	150 s ± 5
15 s	<p>Run Time - Switch (1) Characteristic - Switches (2) &amp; (3)</p>	120 s ± 4	300 s ± 10

NOTE: For additional operating information consult PAM24-112 Operation Manual. The performance specifications are nominal and conform to acceptable industry standards. For application at conditions beyond these specifications, consult the nearest Bray office. Bray controls shall not be liable for damages resulting from misapplication or misuse of its products.