



PA24-27 — Submittal/Technical Data

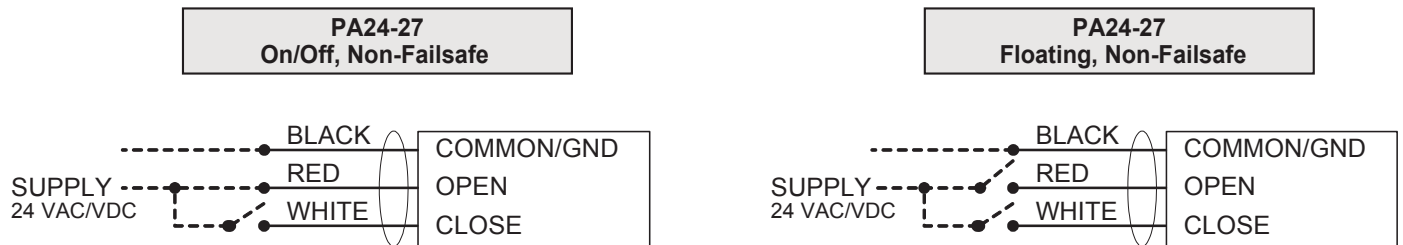
04/05/20

27 lb-force — Non-Fail Safe — On/Off and Floating

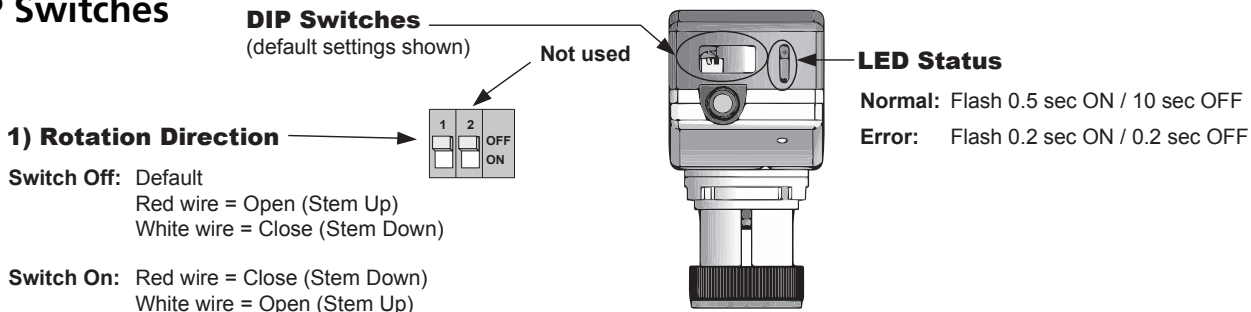
Specifications: For Simple Set PIC Valve sizes 1/2" to 1-1/4"

Power Supply	Operating Voltage	22 to 26 AC/DC
	Power Consumption	5 VA
Control Signal/Input Signal		Digital, 2 positions or 3 point floating
Input Impedance		4.7 K
Run Time		120 Seconds
Direction		Reversible. Default - Up to Open
Stall Protection		Auto Shutoff for end of travel and jammed/stuck
Enclosure Rating		IP54 (Equivalent to NEMA 3R) - Not intended for outdoor use without additional protection.
Manual Override		Yes
Ambient Conditions		Ambient Temperature
	Operating	36°F to 122°F (2°C to 50°C)
	Media Temperature	36°F to 248°F (2°C to 120°C)
	Storage	-22 to 122°F (-30 to 50°C)
	Humidity Rating	5 to 95% RH Non Condensing
Connection		3-wire halogen free cable 18 AWG (0.8 mm ²), 3.2 feet (1M) long)
Life Cycle		30,000
Audible Noise Rating		>35 dBA
Agency Certification		cULus, cCSAus, CE
Dimensions		(L) 4.09" x (W) 2.08" x (H) 3.62
Weight		0.9 lb. (0.4 kg)

Wiring: (Cable)



DIP Switches



NOTE: For additional operating information consult PA24-27 Operation Manual. The performance specifications are nominal and conform to acceptable industry standards. For application at conditions beyond these specifications, consult the nearest Bray office. Bray controls shall not be liable for damages resulting from misapplication or misuse of its products.