



## PA24-27-FS — Submittal/Technical Data

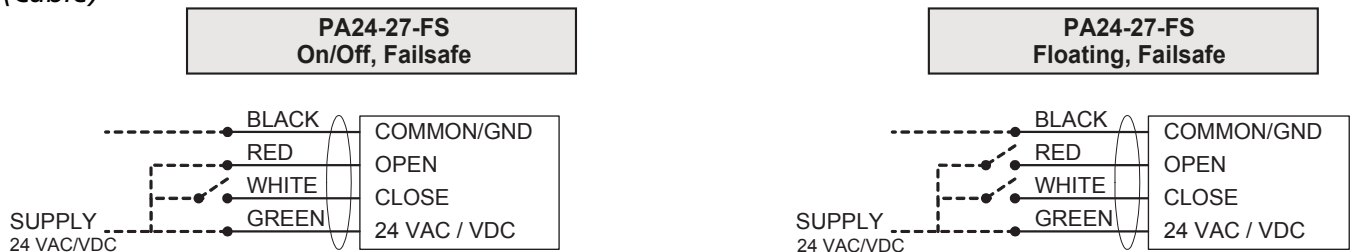
04/05/20

27 lb-force — Fail Safe — On/Off and Floating

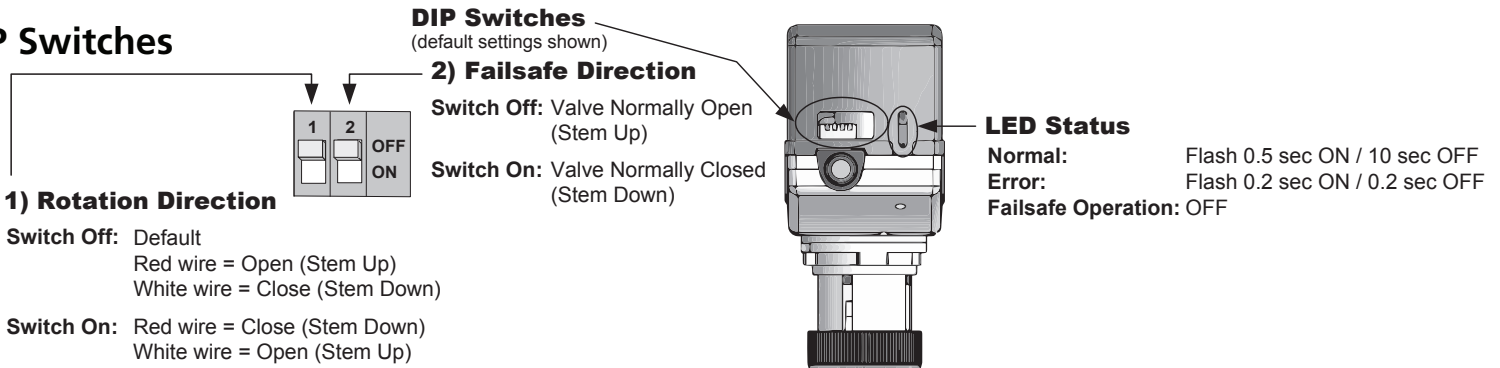
### Specifications: For Simple Set PIC Valve sizes 1/2" to 1-1/4"

Power Supply	Operating Voltage	22 to 26 AC/DC
	Power Consumption	10 VA
Control Signal/Input Signal		Digital, 2 positions or 3 point floating
Input Impedance		4.7 K
Run Time		120 Seconds
Fail Safe Runtime		60 Seconds
Fail Safe Function		Electronic - Enerdrive <sup>1</sup>
Direction		Reversible. Default - Up to Open
Stall Protection		Auto Shutoff for end of travel and jammed/stuck
Enclosure Rating		IP54 (Equivalent to NEMA 3R) - Not intended for outdoor use without additional protection.
Manual Override		Yes
Ambient Conditions		Ambient Temperature
	Operating	36°F to 122°F (2°C to 50°C)
	Media Temperature	36°F to 248°F (2°C to 120°C)
	Storage	-22 to 122°F (-30 to 50°C)
	Humidity Rating	5 to 95% RH Non Condensing
Connection		4-wire halogen free cable 18 AWG (0.8 mm <sup>2</sup> ), 3.2 feet (1M) long
Life Cycle		30,000
Audible Noise Rating		>35 dBA
Agency Certification		cULus, cCSAus, CE
Dimensions		(L) 4.09" x (W) 2.08" x (H) 3.62
Weight		0.9 lb. (0.4 kg)

### Wiring: (Cable)



### DIP Switches



NOTE: <sup>1</sup>The Enerdrive system is a patented method of storing energy (using super capacitors) that is later used to drive the actuator to its failsafe position during a power failure. For additional operating information consult PA24-27-FS Operation Manual. The performance specifications are nominal and conform to acceptable industry standards. For application at conditions beyond these specifications, consult the nearest Bray office. Bray controls shall not be liable for damages resulting from misapplication or misuse of its products.