



DG Series – Submittal/Technical Data

DG Series Flanged Globe Valves 2 Way and 3 Way • 2-1/2" - 6"

DG Series Globe Valves provide stable and accurate control of both water, 50/50 water Glycol solutions and steam heat exchangers on fan coil units, VAV reheat coils, and air handling units up to 900 GPM. These globe valves feature rangability of greater than 100:1 to provide precise control.

Two way standard trim valves provide an equal percentage flow characteristic for use on hot water and chilled water.

Two way stainless trim valves - recommended for steam applications, and 3-way mixing valves provide a linear flow characteristic.

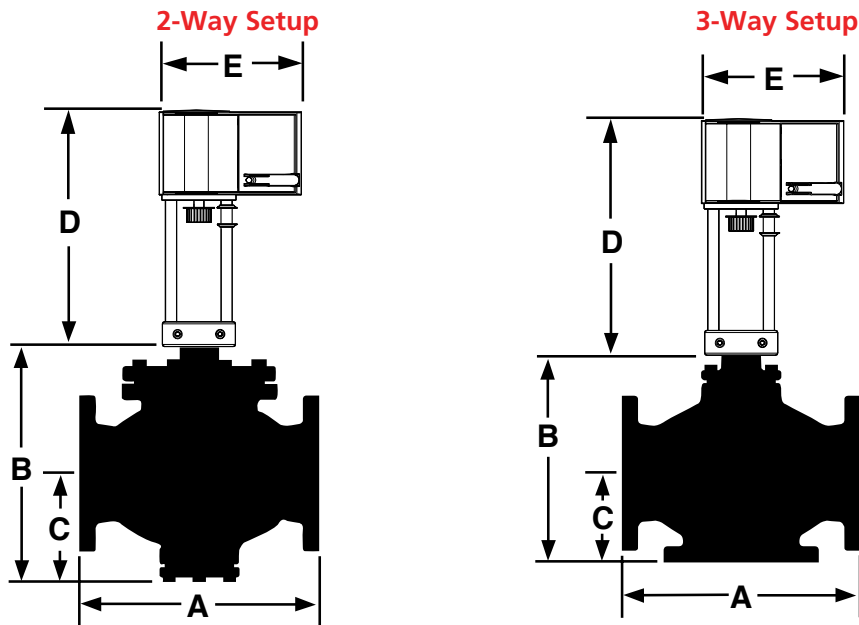
All DG series globe valves feature a cartridge style packing, which is easily replaceable while the valve is in line. Constant plug guiding and precision-machined metal to metal seating assures ANSI Class IV shutoff (.01%) which provides low leakage and energy conservation.



Technical Specifications - Flanged Globe Valves, 2-1/2" - 6" – 2-Way & 3-Way

For Chilled/Hot Water, 50/50 Glycol Solutions and Steam Service:	Chilled / Hot Water		Steam (0 to 50 PSI Max Inlet Pressure)	
Sizes	2-1/2" to 6" Flanged Valves, 2 & 3-Way		2-1/2" to 6" Flanged Valves, 2-Way	
Valve Body - ANSI Class 125	Cast Iron Flanged		Cast Iron Flanged	
Valve Trim Required	Bronze		Stainless Steel (noted by SS in the valve P/N)	
Maximum Fluid Temperature and Inlet Pressure	°F	PSI	°F	PSI
	-20° to 150°	200	337°	50
	200°	190		Saturated Steam
	250°	175		
Stem Material	Stainless Steel (ASTM A582 Type 303)		Stainless Steel (ASTM A582 Type 303)	
Packing	EPDM O-Ring		Teflon V-Ring/EPDM O-Ring	
Stem Lift	(3/4" stroke for 2-1/2" & 3" valves)		(3/4" stroke for 2-1/2" & 3" valves)	
	(1-1/2" stroke for 4" - 6" valves)		(1-1/2" stroke for 4" - 6" valves)	
Maximum Recommended Differential	25 PSI Water		50 PSIG Water or Steam	
Flow Characteristic	Equal Percentage for 2-Way valves with standard trim.			
	Linear for 2-Way valves with Stainless Steel trim.			
	3-Way is equal percentage NC port, and linear for NO port.			
Maximum Close-Off Pressure	Refer to Close-Off Charts		Refer to Close-Off Charts	
Leakage Rate	Class IV (0.01% of Cv)		Class IV (0.01% of Cv)	
Rangeability	>100:1		>100:1	
Warranty	5 Years limited from time of shipment.			

DG - 2 & 3-Way - GA Series Actuator Dimensions



2-Way DG Dimensions - For GA Series Actuator

Valve Models	Size in.(mm)	Flow Coefficient		Stroke in.(mm)	A	B	C	D Actuator Height	E Actuator Width	Weight ¹	
		Cv	Kv							lbs.	kg.
DG250-2-63	2-1/2 (65)	63	54	3/4 (20)	10-7/8 (276)	9-3/8 (239)	3-3/4 (95)	11-3/8 (289)	9-1/16 (230)	60	27
DG3-2-100	3 (80)	100	85	3/4 (20)	11-3/4 (299)	10-3/4 (272)	4-3/8 (111)			76	34
DG4-2-160	4 (100)	160	137	1-1/2 (40)	13-7/8 (352)	12-1/2 (318)	5-1/8 (132)	124		56	
DG5-2-250	5 (125)	250	214	1-1/2 (40)	15-3/4 (400)	13-3/4 (349)	5-3/4 (146)	155		70	
DG6-2-400	6 (150)	400	340	1-1/2 (40)	17-3/4 (451)	15-1/2 (393)	6-5/8 (167)	212		96	

¹- Weights are for Valve Only.

Add 3.94 in. for optional High Media Temperature Height Extender

- Non-Spring Return Actuator Weight 9.1 lb. (4.1 kg)

- Spring Return Actuator Weight 12.3 lb. (5.6 kg)

3-Way DG Dimensions - For GA Series Actuator

Valve Models	Size in.(mm)	Flow Coefficient		Stroke in.(mm)	A	B	C	D Actuator Height	E Actuator Width	Weight ¹	
		Cv	Kv							lbs.	kg.
DG250-3-63	2-1/2 (65)	63	54	3/4 (20)	10-7/8 (276)	9-3/8 (239)	3-3/4 (95)	11-3/8 (289)	9-1/16 (230)	50	23
DG3-3-100	3 (80)	100	85	3/4 (20)	11-3/4 (299)	10-3/4 (272)	4-3/8 (111)			65	30
DG4-3-160	4 (100)	160	137	1-1/2 (40)	13-7/8 (352)	12-1/2 (318)	5-1/8 (132)	110		50	
DG5-3-250	5 (125)	250	214	1-1/2 (40)	15-3/4 (400)	13-3/4 (349)	5-3/4 (146)	136		62	
DG6-3-400	6 (150)	400	340	1-1/2 (40)	17-3/4 (451)	15-1/2 (393)	6-5/8 (167)	141		64	

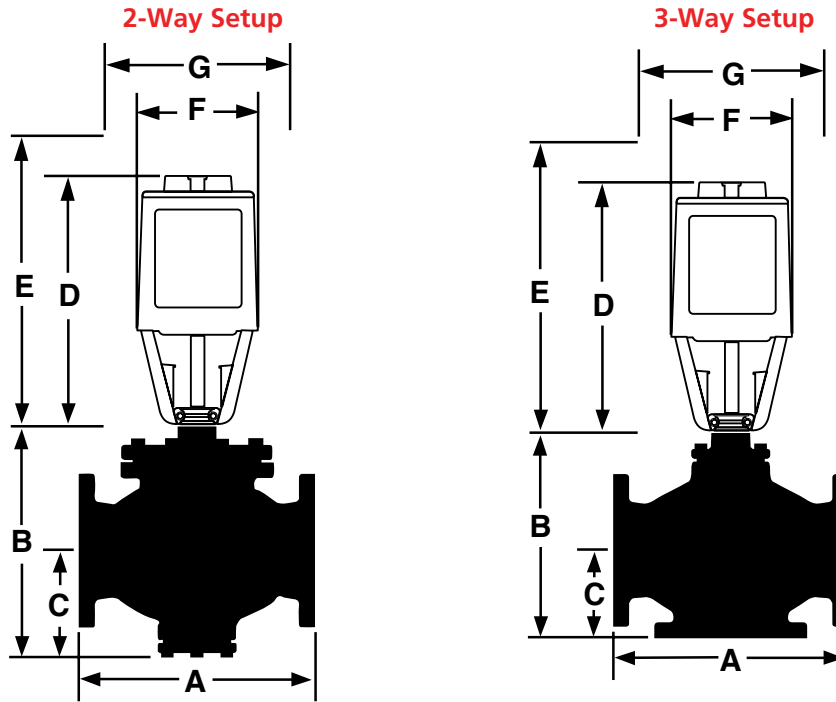
¹- Weights are for Valve Only.

Add 3.94 in. for optional High Media Temperature Height Extender

- Non-Spring Return Actuator Weight 9.1 lb. (4.1 kg)

- Spring Return Actuator Weight 12.3 lb. (5.6 kg)

DG - 2 & 3-Way - VAL Series Actuator Dimensions



2-Way DG Dimensions - For VAL Series Actuator

Valve Models	Size in.(mm)	Flow Coefficient		Stroke in.(mm)	A	B	C	D Actuator Height	E Service Height	F Actuator Width	G Service Width	Weight ¹	
		Cv	Kv									lbs.	kg.
DG250-2-63	2-1/2 (65)	63	54	3/4 (20)	10-7/8 (276)	11 (281)	4-7/8 (123)	14-3/4 (375)	22-3/4 (578)	7 (178)	25 (635)	60	27
DG3-2-100	3 (80)	100	85	3/4 (20)	11-3/4 (299)	12-1/4 (312)	5-5/16 (135)					76	34
DG4-2-160	4 (100)	160	137	1-1/2 (40)	13-7/8 (352)	13-9/16 (345)	6-5/16 (160)					124	56
DG5-2-250	5 (125)	250	214	1-1/2 (40)	15-3/4 (400)	15-3/16 (385)	7 (177)					155	70
DG6-2-400	6 (150)	400	340	1-1/2 (40)	17-3/4 (451)	16-3/4 (426)	7-7/8 (200)					212	96

¹ - Weights are for Valve Only.

- VAL-SRS07P Actuator Weight 18.9 lb. (8.6 kg)
 - VAL-SRS15P Actuator Weight 22.0 lb. (10.0 kg)

3-Way DG Dimensions - For VAL Series Actuator

Valve Models	Size in.(mm)	Flow Coefficient		Stroke in.(mm)	A	B	C	D Actuator Height	E Service Height	F Actuator Width	G Service Width	Weight ¹	
		Cv	Kv									lbs.	kg.
DG250-3-63	2-1/2 (65)	63	54	3/4 (20)	10-7/8 (276)	9-3/8 (239)	3-3/4 (95)	14-3/4 (375)	22-3/4 (578)	7 (178)	25 (635)	50	23
DG3-3-100	3 (80)	100	85	3/4 (20)	11-3/4 (299)	10-3/4 (272)	4-3/8 (111)					65	30
DG4-3-160	4 (100)	160	137	1-1/2 (40)	13-7/8 (352)	12-1/2 (318)	5-1/8 (132)					110	50
DG5-3-250	5 (125)	250	214	1-1/2 (40)	15-3/4 (400)	13-3/4 (349)	5-3/4 (146)					136	62
DG6-3-400	6 (150)	400	340	1-1/2 (40)	17-3/4 (451)	15-1/2 (393)	6-5/8 (167)					141	64

¹ - Weights are for Valve Only.

- VAL-SRS07P Actuator Weight 18.9 lb. (8.6 kg)
 - VAL-SRS15P Actuator Weight 22.0 lb. (10.0 kg)