

DCS120-62-(A) — Submittal/Technical Data

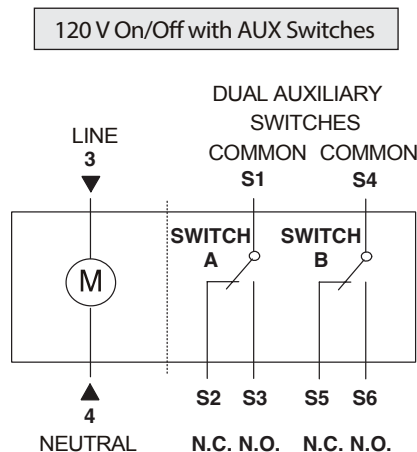
06/30/22

62 lb-in. — 120 V — Spring Return — On/Off — Auxillary Switch Option

Specifications:

Power Supply	120 Vac \pm 10% at 50/60 Hz 7 VA/5W Running, 7 VA/5W Holding Position
Auxiliary Switch Rating	Control signal adjustment - Offset (start point) Between 0 to 5 Vdc; Span Between 2 to 30 Vdc AC Rating (standard cable) 24 to 250 Vac, AC 6A resistive, AC 2A general purpose DC Rating (Standard/Plenum cable) 12 to 30 Vdc, DC 2A
Switch Range Switch A	0° to 90° with 5° intervals; Recommended range usage 0° to 45°; Factory setting 5°
Switch B	0° to 90° with 5° intervals; Recommended range usage 45° to 90°; Factory setting 85°
Switching Hysteresis	2°
Spring Return	Direction is Selectable with Mounting Position of Actuator
Rotation Range	Nominal angle of rotation 90°; Maximum angular rotation 95°
Torque	62 lb-in. (7 N·m)
Time: 90° of Rotation	Power On (Running) 90 Seconds for 62 lb-in (7 Nm) at (60 seconds max. at -25°F [-32°C]) Power Off (Returning) 15 Seconds Typical for 62 lb-in (7 Nm) at (60 seconds max. at -25°F [-32°C])
Enclosure	NEMA 1 (IP54) limited mounting orientations
Manual Override	Hex Head Screw
Ambient Conditions	Standard Operating -25°F to 130°F (-32°C to 55°C); 95% RH Maximum, Noncondensing Storage -40°F to 158°F (-40°C to 70°C); 95% RH Maximum, Noncondensing
Electrical Connections	36 in. (.9 m) Standard Cable with 18 AWG (0.75 mm ²) Wire Leads
Conduit Connections	Integral Connectors for 1/2 in. NPT
Mechanical Connections	Round Shafts 1/4 to 3/4-inch (6.4 to 20.5 mm) Square Shafts 1/4 to 1/2-inch (6.4 to 13 mm)
Life Cycle	60,000 Full stroke cycles (1,500,000 repositions)
Noise Rating	40 dBA
Dimensions	8-3/8" (L) x 3-1/4" (W) x 2-2/3 (H)
Weight	2.9 lb (1.3 kg)
Agency Certification	UL listed to UL60730 (to replace UL873) cUL certified to Canadian Standard C22.2 No. 24-93

Wiring: (Cable)



NOTE: WARNING: All DCS-62 Series actuators are designed for use only in conjunction with operating controls. Where an operating control failure would result in personal injury and/or loss of property, it is the responsibility of the installer to add safety devices or alarm systems that protect against, and/or warn of, control failure.

The performance specifications are nominal and conform to acceptable industry standards. For application at conditions beyond these specifications, consult the nearest Bray office. Bray controls shall not be liable for damages resulting from misapplication or misuse of its products.