



## D24-(70,140,210,280)-(A) — Submittal/Technical Data

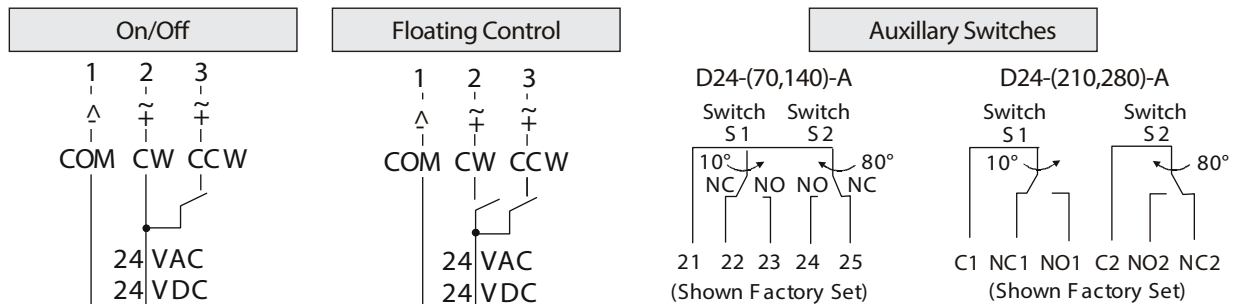
02/07/19

70,140,210,280 lb-in. — Non-Spring Return — On/Off or Floating — Auxiliary Switch Option

### Specifications:

Power Supply	AC 20 to 30 V at 50/60 Hz or DC 24 V $\pm$ 10%; 6.5 VA supply minimum; Class 2	
Input Signal	On/Off and Floating:	24 VAC at 50/60 Hz or 24 VDC
Input Signal Adjustments	Floating Factory Setting:	Terminals 1 and 2, CW rotation; Terminals 1 and 3, CCW rotation
Switch Contact Rating	Two SPDT (Single-Pole, Double-Throw) rated at 24 VAC 1.5A inductive, 3A resistive, 35 VA max. per switch, Class 2	
Time Out	Auto shutoff feature to prevent excessive wear or drive time on the motor	
Mechanical Output	D24-70	70 lb-in (8 Nm)
	D24-140	140 lb-in (16 Nm)
	D24-210	210 lb-in (24 Nm)
	D24-280	280 lb-in (32 Nm)
Audible Noise Rating	45 dBA at 1 m	
Rotation Range	Adjustable from 0 to 90° in 5° increments, mechanically limited to 93°	
Rotation Timing	D24-70	30 sec. at 50% rated load, 25 to 50 sec. for 0 to 70 lb-in (0 to 8 Nm)
	D24-140	80 sec. at 50% rated load, 70 to 115 sec. for 0 to 140 lb-in (0 to 16 Nm)
	D24-210	130 sec. at 50% rated load, 115 to 175 sec. for 0 to 210 lb-in (0 to 24 Nm)
	D24-280	140 sec. at 50% rated load, 115 to 205 sec. for 0 to 280 lb-in (0 to 32 Nm)
Cycle Life	60,000 full stroke cycles	
Electrical Connection	Enclosed Terminal Block(s) for 22 to 14 AWG (insert a maximum of two 18, 20, or 22 AWG per terminal.) D24-(210,280) 1/4 in. spade terminals with plugable 3-terminal blocks	
Mechanical Connection	3/8 to 3/4 in. (10 to 20 mm) diameter round shaft 3/8 to 5/8 in. (10 to 16 mm) square shaft	
Enclosure	NEMA 2, IP42	
Manual Override	External Push Button	
Ambient Conditions	Operating	-4 to 122°F (-20 to 50°C); 0 to 95% RH, non-condensing
	Storage	-40 to 186°F (-40 to 86°C); 0 to 95% RH, non-condensing
Dimensions (H x W x D)	7.09 x 3.94 x 2.54 in. (180 x 100 x 64.5 mm)	
Shipping Weight	2.9 lb (1.3 kg)	
Agency Compliance	United States UL 873 Listed, File E27734, CCN XAPX Canada CSA C22.2 No. 139 Certified, File LR85083, Class 3221 02 Europe CE Mark - declares that this product is in compliance with the essential requirements and other relevant provisions of the EMC Directive 2004/108/EC.	

### Wiring: (Terminal Block)



**NOTE:** WARNING: All D-70,140,210,280 Series actuators are designed for use only in conjunction with operating controls. Where an operating control failure would result in personal injury and/or loss of property, it is the responsibility of the installer to add safety devices or alarm systems that protect against, and/or warn of, control failure.

The performance specifications are nominal and conform to acceptable industry standards. For application at conditions beyond these specifications, consult the nearest Bray office. Bray controls shall not be liable for damages resulting from misapplication or misuse of its products.