

AU-Series – Submittal/Technical Data

11/29/20

Technical Specifications		
Control Type	AU-xxxx	On/Off or Floating
	AU-xxxxSV	Modulating
Power Supply	On/Off, Floating and Modulating	120 Vac, 60 Hz, +/- 10%, Single-Phase, Reversible, Permanent Split Capacitor Induction Motor
Current Draw	Full Load	AU-2130 5.9 A
		AU-4068 & AU-7080 6.4 A
	Locked Rotor	14 A
Motor Protection		1 Ph-1 thermal switch 284°F (140°C) Class F insulation, tropicalized winding
Control Module Voltage	On/Off, Floating	110 – 120 VAC
	Modulating	24 VDC
Output Aux. Voltage	On/Off, Floating	115 VAC – 30 mA
	Modulating	24 VDC – 100 mA
Feedback Signal		4 to 20 mA
Control Input Signal	Modulating	4 to 20 mA
Output Contacts		6 Output contacts: 6 NO/NC without common 5A
Output Signals	Default Setting	Fault, End pos. CLOSED End pos. OPEN, Selector sw. REMOTE, Torque fault CLOSE, Torque fault OPEN
Terminal Strip	Power Terminals	8 to 10 AWG (6 to 10 mm ²)
	Controls Contacts	14 AWG (2.5 mm ²)
Enclosure		NEMA types 6P (IP68) Corrosion Protection: KS
Heater	On/Off, Floating	120 V internal (12.5 W)
	Modulating	24 V internal (12.5 W)
Conduit Entries		Plug/socket 100 mm, 2 × 3/4" NPT; 1 × 1-1/4" NPT
Operating Time		60 Seconds
Angle of Rotation		92° maximum
Manual Operation	Declutchable Override Handwheel	To close the valve, turn handwheel clockwise. Drive shaft (valve) turns clockwise in close direction.
Dimensions		See Page 4
Weight	AU-2130	165 lbs. (75 kg)
	AU-4068	195 lbs. (88 kg)
	AU-7080	278 lbs. (127 kg)
Ambient Temperature		-13°F to 158°F (-25°C to 70°C)
Fail Position		Loss of supply power - Fail-in-place
Duty Cycle	On/Off, Floating	S2 - 15 min continuous, max. six starts/minute
	Modulating	S4 – 25% Intermittent duty
Life Cycle		15,000 Full Stroke Cycles; 2,500,000 Repositions at Rated Running Torque
Certifications		CE
Warranty		3 Years limited from time of shipment.

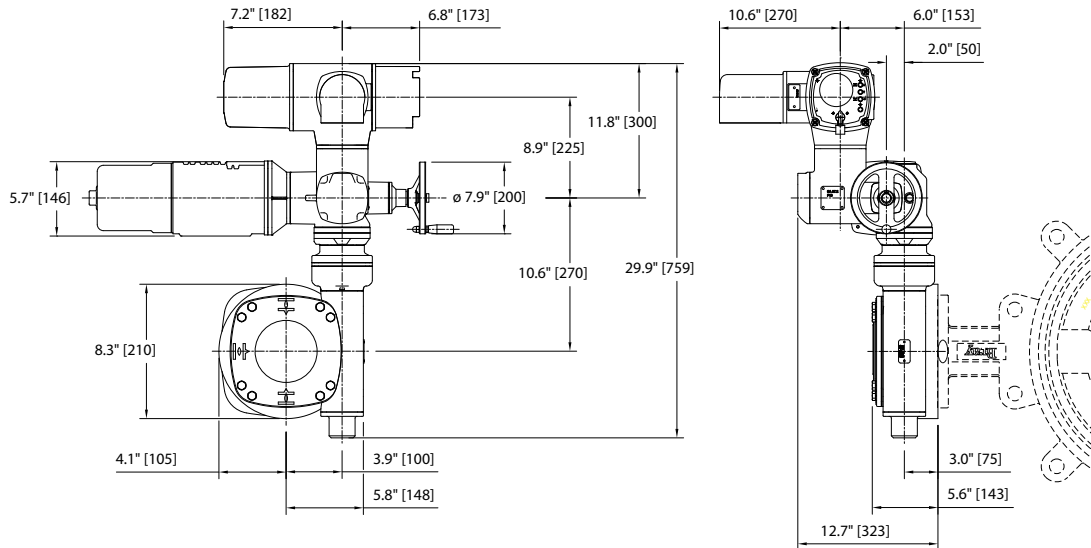
Disclaimer - The performance specifications are nominal and conform to acceptable industry standards. For application at conditions beyond these specifications, consult the local Bray office. Bray, Inc. shall not be liable for damages resulting from misapplication or misuse of its products.

AU Series - Model Selection

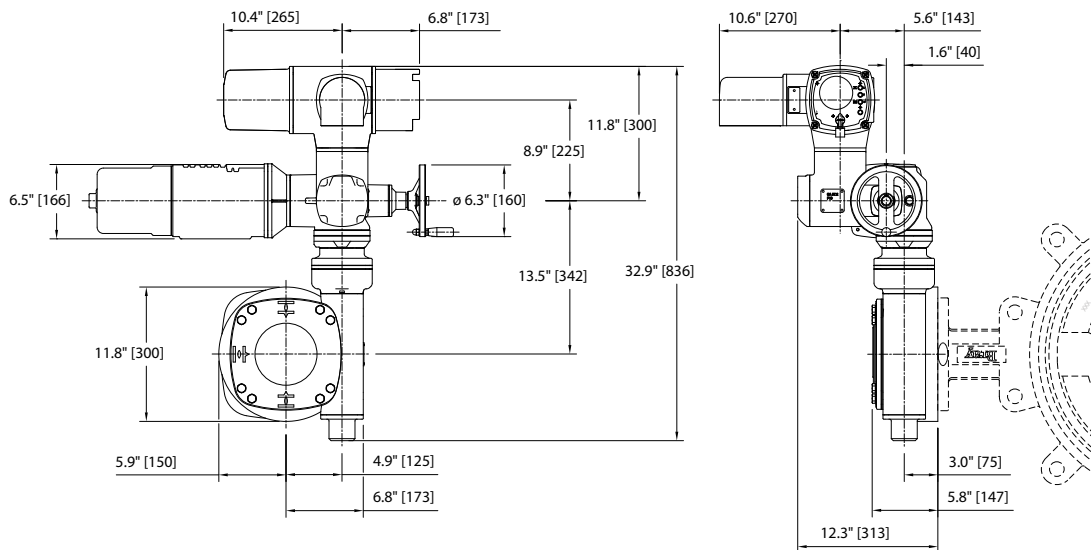
Model Number	Feature	Torque	On/Off	Modulating	Heater	Auxiliary Switches
AU-2130		21,300	•		•	•
AU-2130SV		21,300		•	•	•
AU-4068		40,680	•		•	•
AU-4068SV		40,680		•	•	•
AU-7080		70,800	•		•	•
AU-7080SV		70,800		•	•	•

AU Series - Dimensions

AU-2130



AU-4068



AU-7080

