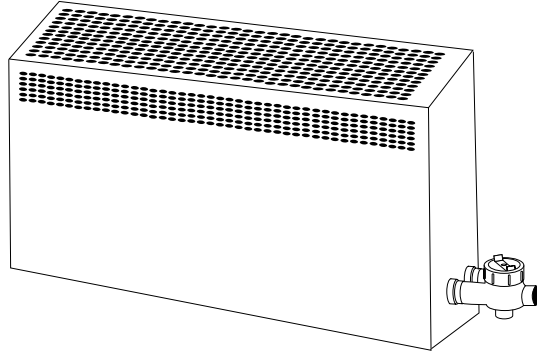




A Marley Engineered Products Brand  
 470 Beauty Spot Rd. E, Bennettsville, SC 29512

SUBMITTAL SHEET  
**SCG SERIES**  
**EXPLOSION PROOF**  
**CONVECTORS**



<b>CAPACITIES</b>
<b>1.6, 1.8, 3.2, 3.6, 7.6 KW</b>

See Selection Chart On Back Page



JOB NAME: \_\_\_\_\_

LOCATION: \_\_\_\_\_

ARCHITECT: \_\_\_\_\_

ENGINEER: \_\_\_\_\_

CONTRACTOR: \_\_\_\_\_

SUBMITTED BY: \_\_\_\_\_

DATE: \_\_\_\_\_

QTY.	CATALOG NUMBER	TAG	KW	VOLTS	Ø	AMPS

ACCESSORIES AND CONTROLS

QTY.	CATALOG NUMBER	TAG	DESCRIPTION

**SCG SERIES - EXPLOSION PROOF CONVECTORS UNIT HEATERS**

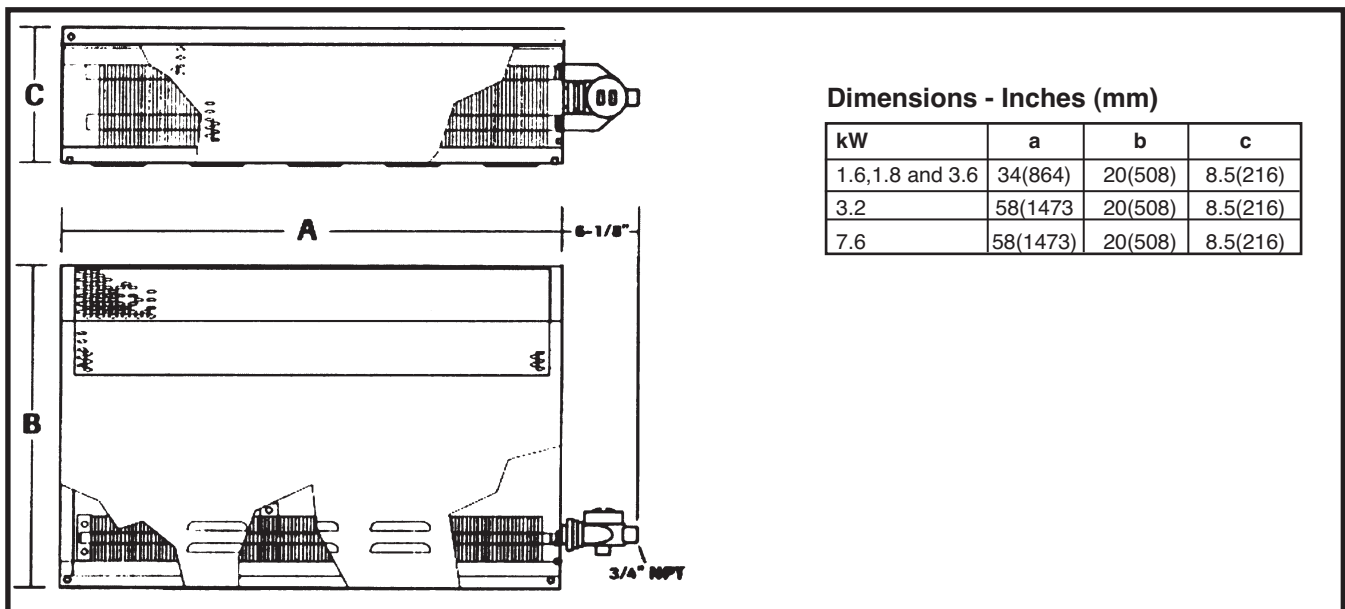
**SELECTION CHART**

T2A TEMPERATURE RATING (536 DEG. F)						
CATALOG NUMBER	HEATER VOLTS	WATTS (KW)	PHASE	AMPS	BTU	SHIP WT.
SCG18001	120	1.8	1	15.0	6,140	46 lbs
SCG18081	208	1.8	1	8.7	6,140	
SCG18083	208	1.8	3	5.0	6,140	
SCG18041	240	1.8	1	7.5	6,140	
SCG18043	240	1.8	3	4.4	6,140	
SCG18071	277	1.8	1	6.5	6,140	
SCG180481	480	1.8	1	3.8	6,140	
SCG180483	480	1.8	3	2.2	6,140	
SCG36081	208	3.6	1	17.3	12,300	
SCG36083	208	3.6	3	10.0	12,300	
SCG36041	240	3.6	1	15.0	12,300	
SCG36043	240	3.6	3	8.7	12,300	
SCG36071	277	3.6	1	13.0	12,300	
SCG360481	480	3.6	1	7.5	12,300	
SCG360483	480	3.6	3	4.3	12,300	
SCG36063	600	3.6	3	6.3	12,300	
SCG76081	208	7.6	1	36.5	25,930	94 lbs
SCG76083	208	7.6	3	21.1	25,930	
SCG76041	240	7.6	1	31.7	25,930	
SCG76043	240	7.6	3	18.3	25,930	
SCG76071	277	7.6	1	27.4	25,930	
SCG760481	480	7.6	1	15.8	25,930	
SCG760483	480	7.6	3	9.2	25,930	
SCG76063	600	7.6	3	9.2	25,930	

**SELECTION CHART**

T3A TEMPERATURE RATING (356 DEG. F)						
CATALOG NUMBER	HEATER VOLTS	WATTS (KW)	PHASE	AMPS	BTU	SHIP WT.
SCG16081	208	1.6	1	7.7	5500	58lbs.
SCG32081	208	3.2	1	15.4	11,000	82 lbs.
SCG32083	208	3.2	3	8.9	11,000	
SCG32041	240	3.2	1	13.3	11,000	
SCG32043	240	3.2	3	7.7	11,000	
SCG32071	277	3.2	1	11.6	11,000	
SCG320481	480	3.2	1	6.7	11,000	
SCG320483	480	3.2	3	3.8	11,000	
SCG32063	480	3.2	3	5.6	11,000	

Optional Built-In Controls	
<b>T</b>	Class C&D Thermostat-50° - 90°F Range
<b>CX</b>	24 Volt Control Circuit & Transformer 120 Volt control circuit, transformer and contactor
<b>TH</b>	Class B, C, & D Thermostat-50° - 90°F Range



**Dimensions - Inches (mm)**

kW	a	b	c
1.6, 1.8 and 3.6	34(864)	20(508)	8.5(216)
3.2	58(1473)	20(508)	8.5(216)
7.6	58(1473)	20(508)	8.5(216)