

QFF SERIES CEILING-MOUNTED FAN-FORCED HEATER



IDEAL SPACES

- Entryways
- Hallways
- Restrooms
- Detention Environments
- Lobbies

COLORS

- Navajo White

DIMENSIONS

- GRILLE | 15-3/4" W x 19-1/8" L x 1" D
- BACK BOX | 14-3/8" W x 18-1/4" L

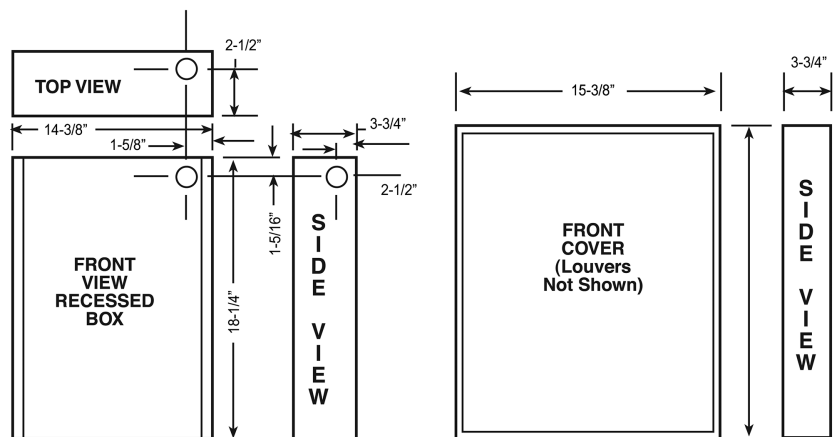
TEMP RANGE

- 40°-90° F

CFM

- 150

- Accommodates pneumatic/electric or low voltage controls commonly used with BMS Systems
- Built in power on/off switch
- When using wall thermostat, separate thermostat wiring is required
- Automatic fan delay eliminates cold drafts on start-up and discharges residual heat from the heater body during shut down
- Multiple mounting options: recessed, surface or T-Bar
- Heavy duty 14-gauge louvered front cover grille with tamper-resistant screws



QFF SERIES CEILING-MOUNTED FAN-FORCED HEATER

MODELS & SPECIFICATIONS

CATALOG NO.	UPC	VOLTS	WATTS	BTU/HR.	AMPS	SHIP WT. (LBS.)
QFF1500	6 85360 14810 6	120	1500	5120	12.5	23
QFF3007	6 85360 05907 5	277	3000/1500	10239/5120	10.8/5.4	23
QFF4008	6 85360 05913 6	208	4000/2000	13652/6826	19.2/9.8	23
QFF4004	6 85360 05909 9	240	4000/2000	13652/10239	16.7/14.4	23
		208	3000/1500			
QFF4007	6 85360 05912 9	277	4000/2000	13652/10239	14.4/12.5	23
		240	3000/1500			
QFF4804	6 85360 05916 7	240/208	4800/3600	16382/12287	20.0/17.3	23
QFF4807	6 85360 05919 8	277/240	4800/3600	16382/12287	17.3/15.0	23
QFF48483	6 85360 15584 5	480	4800	16382	5.8	23
QFF48483LV	6 85360 15586 9	480	4800	16382	5.8	23

NOTE: Factory-wired for highest wattage, field-convertible to lower wattages.

ACCESSORIES (OPTIONAL)

CATALOG NUMBER	UPC	DESCRIPTION	SHIP WT. (LBS.)
QFFSM	6 85360 05895 5	Surface Mounting Sleeve	6
QFFR2 (24V)	6 85360 05894 8	Time delay relay, 45-60 seconds to close when energized. Uses remote 24V or 120V power source	1
QFFR12 (120V)	6 85360 05893 1		
QFFTBF	6 85360 05896 2	T-Bar Frame Kit.	4.5
*QFFT1	6 85360 05899 3	Single Pole T-Stat. (Field Installed)	1
*QFFT2	6 85360 05900 6	Double Pole Thermostat. (Field Installed)	2
QFFTR4	6 85360 05897 9	208/240V Primary Transformer 24V Relay	1
QFFTR7	6 85360 05898 6	277V Primary 24V Sec. Transformer Relay	1