

Application

The AV-810 adapter kit enables mounting of selected Schneider Electric pneumatic, DuraDrive electric-electronic, and Forta actuators on 1/2" through 3" Honeywell 3/4" stroke valves. Compatible with V5011, V5013, V5011F, V5011G, V5011N, V5013F, V5013G, and V5013N valves.

Consult the *AV-8xx Series Competitive Globe Valve Adapters Selection Guide*, F-27470, for compatible Schneider Electric actuators.

NOTE

This kit is not for VP-531 Series valves.

CAUTION

Selection of actuators is limited to those models shown in the *AV-8xx Series Competitive Globe Valve Adapters Selection Guide*, F-27470, and Forta. No other Schneider Electric actuators are compatible with 3/4" stroke valves

For proper operation, the stroke of the Schneider Electric actuator must be equal to or greater than that of the valve body.

Applicable Literature

- *AV-8xx Series Competitive Globe Valve Adapters Selection Guide*, F-27470
- *Electric/Electronic Products Catalog* F-27382
- *Pneumatic Products Catalog* F-27383
- *Mxx1-720x Series Two-Position, Floating, and Proportional Actuators General Instructions* F-27120
- *Schneider Electric Forta M400A/M800A General Instructions*, DIM119E (F-27506)
- *Schneider Electric Forta M1500A General Instructions*, DIM119E (F-27506)
- *MK-2690 Series Pneumatic Valve Actuator General Instructions* F-13893
- *MK-68xx Series Pneumatic Valve Actuator General Instructions* F-13895
- *AK-42309-500 Positive Positioner General Instructions*, F-22909
- *AV-7800 Pneumatic Actuator Valve Linkage Kit for MK-2690 and 3/4" Stroke Valves*, F-27432

Tools Needed

- 5/16" wrench
- 7/16" wrench
- TOOL-118 Set screw hex wrench (included in kit)

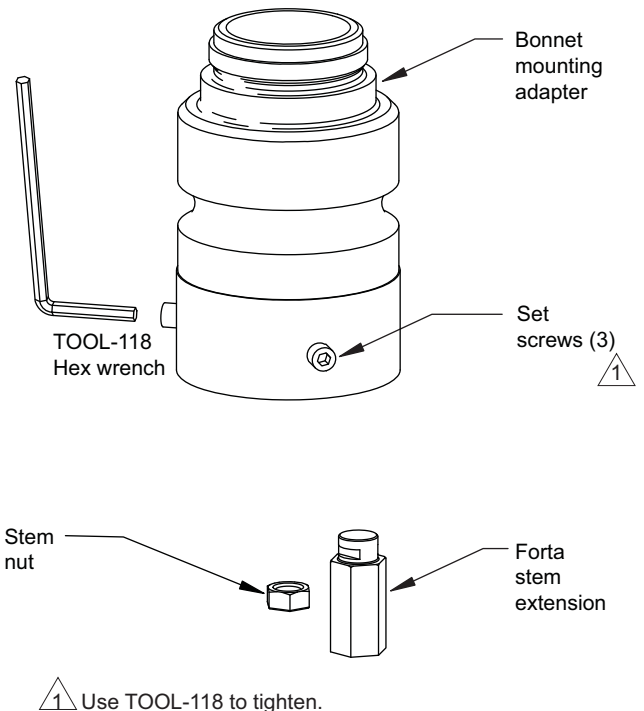


Figure-1 AV-810 Kit.

Installation

Inspection

Check for missing parts.

Assembly Instructions

Refer to Figure-1.

MK-2690 Pneumatic Actuator

1. Install the AV-7800 spring kit, following its instructions.
2. Install the bonnet mounting adapter onto the actuator.
3. Install the bonnet mounting adapter and actuator over the spring linkage and tighten the set screws.
4. Tighten the actuator onto the bonnet mounting adapter.
5. Loosen the bonnet mounting adapter set screws, orient the actuator, and tighten the set screws using TOOL-118, 1/4 turn past finger tight.
6. Install pneumatic lines and check operation.

Other Actuators

1. Install the stem nut on the valve stem, finger tightening until it bottoms on the threads.
2. Install the Forta stem extension for Forta actuators,. Finger tighten until the stem extension bottoms on the threads. The stem extension is not required for other actuators.
3. Install the bonnet mounting adapter onto the valve and finger tighten the set screws.
4. Install the actuator and linkage (if required) per the instructions for Schneider Electric valves.
5. Loosen the bonnet mounting adapter set screws, orient the actuator, and tighten the set screws using TOOL-118, 1/4 turn past finger tight.
6. Check the operation.

Maintenance Parts

All valve body maintenance parts must be obtained from the manufacturer, Honeywell. Actuator and linkage maintenance parts may be obtained from Schneider Electric. Consult the actuator's General Instructions sheet for further information.

On October 1st, 2009, TAC became the Buildings business of its parent company Schneider Electric. This document reflects the visual identity of Schneider Electric, however there remains references to TAC as a corporate brand in the body copy. As each document is updated, the body copy will be changed to reflect appropriate corporate brand changes.

Copyright 2010, Schneider Electric
All brand names, trademarks and registered trademarks are the property of their respective owners. Information contained within this document is subject to change without notice. All rights reserved.

Schneider Electric
1354 Clifford Avenue
P.O. Box 2940
Loves Park, IL 61132-2940
www.schneider-electric.com/buildings

