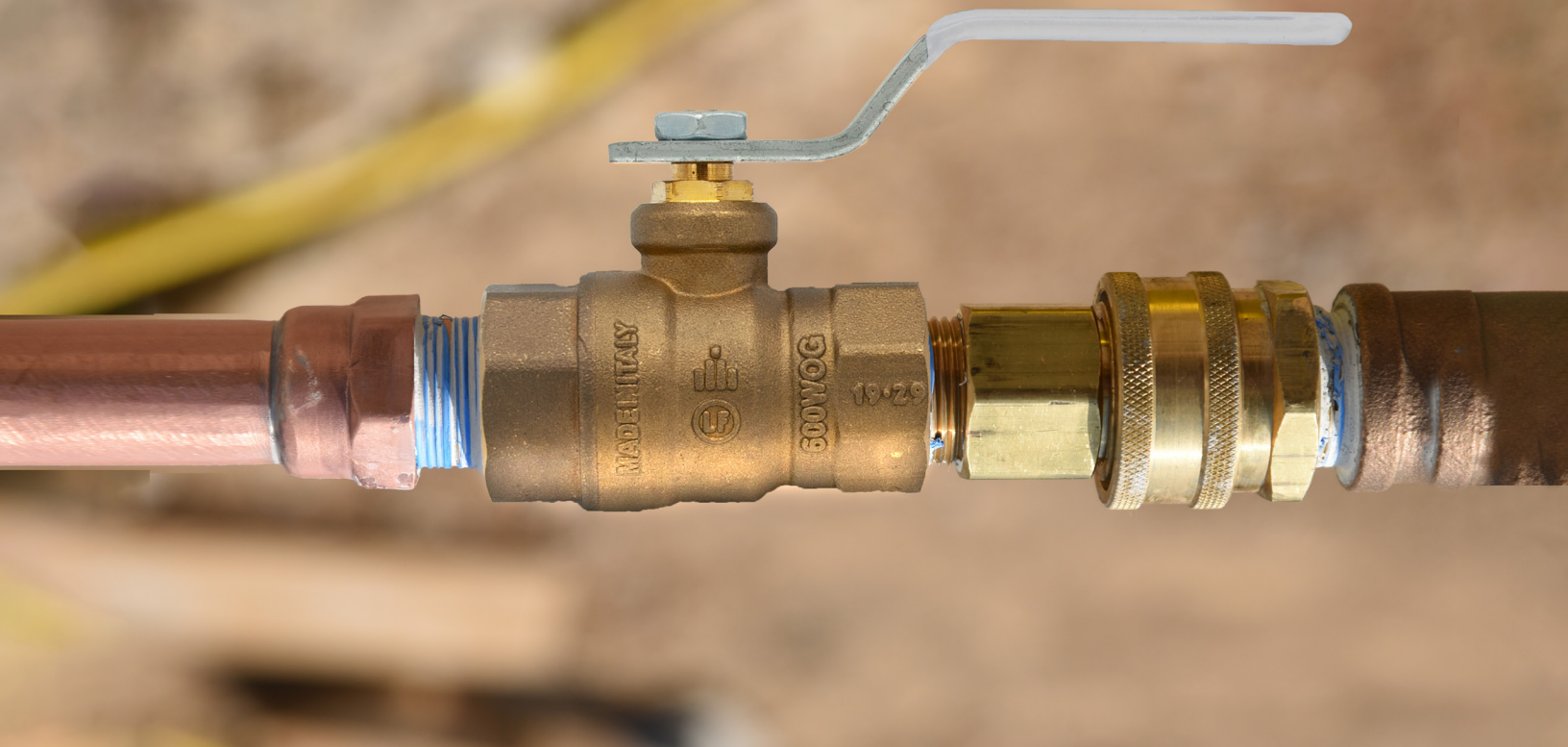




MILANO[®]

Ball Valves



Innovative Solutions That Solve Everyday Water Challenges

American Valve has been known for high-quality valves used in plumbing, HVAC, and industrial applications for more than 100 years. We are known throughout world as the leader in ball valves, plumbing valves, thermoplastic valves, and water treatment components.

Our products are engineered to solve flow control challenges in a broad range of applications, and are designed to provide years of reliable service.



MILANO®

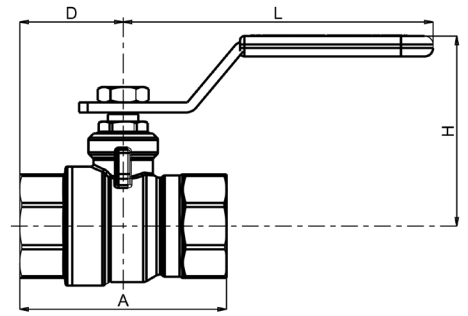
BALL VALVES

MILANO ball valves have been known for their durability, reliability and precision engineering since the 1970s. Made with the highest quality materials, these valves are designed to withstand the toughest conditions and provide a long-lasting solution for all plumbing needs—including potable water, hydronics, flammable liquids and gases, and fire protection. Their capable design ensures smooth and efficient operation, making them the go-to choice for plumbing and mechanical contractors around the world. With a reputation for excellence, MILANO® Ball Valves are trusted by plumbers and facility owners alike for their ability to perform under pressure and deliver consistent results every time.



G102T

- Full Port
- Forged lead free DZR brass body
- Made in Italy
- NSF/ANSI/CAN 61 & 372 Certified
- UL/FM approved for fire protection
- CSA approved for natural gas
- Locking Handles and Stem Extensions Available
- Meets Buy America Act Requirements
- 29 in-Hg Vacuum Service Rated



Pressure: 600 WOG, 150 WSP
Temperature: 365°F

Materials

Part	Material
Body	Lead-Free DZR Brass
Ball	Lead-Free DZR Brass (Chrome Plated)
Seats	PTFE
Stem	Forging Brass
Packing	PTFE
Packing Nut	Forging Brass
Handle	Steel (Geomet Plated)
Handle Nut	Steel (Zinc Plated)

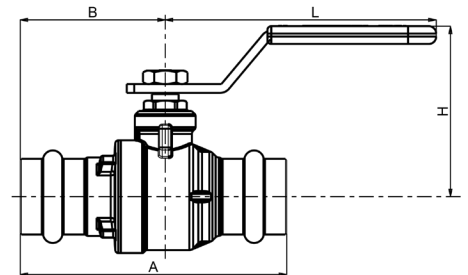
Dimensions

	A (in)	D (in)	H (in)	L (in)	Weight (lb)	Certifications
¼"	1.72	0.86	1.50	3.19	0.25	CSA GAS, FM, NSF, UL, CSA PLUMBING
⅜"	1.79	0.89	1.50	3.19	0.27	CSA GAS, FM, NSF, UL, CSA PLUMBING
½"	2.17	1.08	2.07	3.60	0.45	CSA GAS, FM, NSF, UL, CSA PLUMBING
¾"	2.40	1.20	2.20	3.60	0.64	CSA GAS, FM, NSF, UL, CSA PLUMBING
1"	2.97	1.48	2.56	4.98	1.16	CSA GAS, FM, NSF, UL, CSA PLUMBING
1 ¼"	3.31	1.65	2.76	4.98	1.48	CSA GAS, FM, NSF, UL, CSA PLUMBING
1 ½"	3.52	1.75	3.15	5.57	2.15	CSA GAS, FM, NSF, UL, CSA PLUMBING
2"	4.11	2.07	3.50	5.57	3.41	CSA GAS, FM, NSF, UL, CSA PLUMBING
2 ½"	5.31	2.65	4.45	7.91	6.57	CSA GAS, NSF, CSA PLUMBING
3"	6.03	3.02	4.88	11.06	9.49	CSA GAS, NSF, CSA PLUMBING
4"	7.56	3.78	5.63	11.06	17.36	NSF, CSA PLUMBING



G102PR

- Full Port
- Forged lead free DZR brass body
- Made in Italy
- NSF/ANSI/CAN 61 & 372 Certified
- For use with ASTM B88 Copper Tube
- Works with common press tools & jaws
- Locking Handles and Stem Extensions Available
- Meets Buy America Act Requirements



Pressure: 250 PSI FROM 15°F TO 160°F,
 150 PSI MAX AT 250°F
Temperature: 250°F



Materials

Part	Material
Body	Lead-Free DZR Brass
Ball	Lead-Free DZR Brass (Chrome Plated)
Seats	PTFE
Stem	Forging Brass
O-Ring	EPDM
Packing	PTFE
Packing Nut	Forging Brass
Handle	Steel (Geomet Plated)
Handle Nut	Steel (Zinc Plated)

Dimensions

	A (in)	B (in)	H (in)	L (in)	Weight (lb)
½"	2.93	1.56	2.13	3.60	0.49
¾"	3.54	1.93	2.26	3.60	0.72
1"	3.90	2.09	2.58	4.98	1.10
1 ¼"	4.29	2.28	2.82	4.98	1.68
1 ½"	5.24	2.80	3.29	5.57	2.67
2"	6.18	3.30	3.58	5.57	3.92



Email: sales@americanvalve.com
Phone: 1.800.645.0101
Fax: 1.800.876.0109



@AmericanValve

MBV0223V1