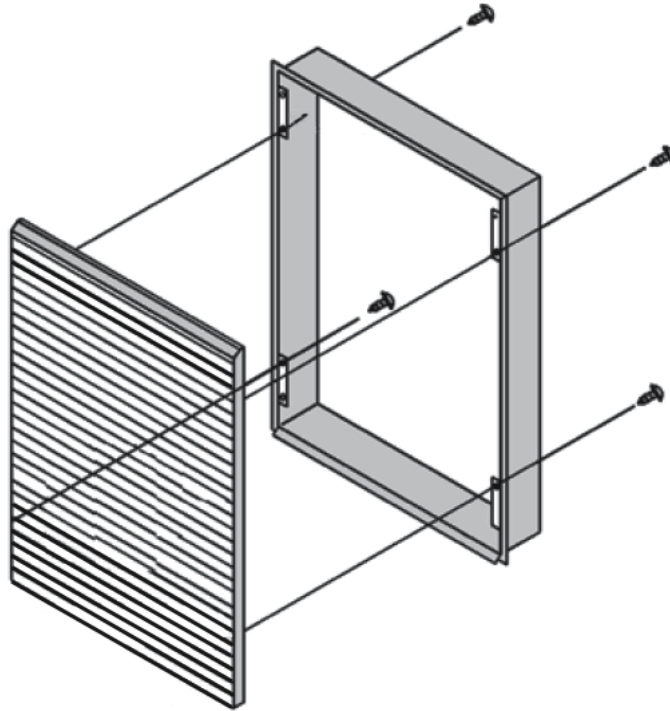


ARCHITECTURAL LOUVER FOR USE WITH VTAC UNITS INSTALLATION INSTRUCTIONS



WARNING

Only personnel that have been trained to install, adjust, service or repair (hereinafter, "service") the equipment specified in this manual should service the equipment. The manufacturer will not be responsible for any injury or property damage arising from improper service or service procedures. If you service this unit, you assume responsibility for any injury or property damage which may result. In addition, in jurisdictions that require one or more licenses to service the equipment specified in this manual, only licensed personnel should service the equipment. Improper installation, adjustment, servicing or repair of the equipment specified in this manual, or attempting to install, adjust, service or repair the equipment specified in this manual without proper training may result in product damage, property damage, personal injury or death.

IO-920
10/2018

Amana is a registered trademark of Maytag Corporation or its related companies and is used under license to Goodman Company, L.P., Houston, TX, USA. All rights reserved.

5151 San Felipe, Suite 500 • Houston, TX 77056 • www.amana-ptac.com
© 2018 Goodman Company, L.P.



ARCHITECTURAL LOUVER

For use with VTAC units only.

NOTE: The following installation instructions apply to the VTAC series units only. Refer to Chasis Installation / Operation Manual for additional information.

IMPORTANT: The AVAGK01CB Architectural Louver is best installed onto the Outside Adapter (Part A) **PRIOR** to the Exterior Wall Adapter installation. The louver installation is easier at this point, and it will help keep the Exterior Wall Adapter square during installation.

Parts Included in this Kit

PART	QNTY
Aluminum Architectural Louver	1 ea.
Attachment Screws (located in a plastic bag taped to the louver)	4 ea.

Installation of the Louver Prior to Installation of Exterior Wall Adapter

1. Hold the louver up to the Outside Exterior Wall Adapter Part A (see the AVAGK01CB instructions) and line up the louver top with the very top edge of the 3/4" flange.
2. Line up the AVAGK01CB holes with the threaded holes in the louver, install and tighten the four screws.

Note: There are eight flange holes, however, only the four inside holes are used.

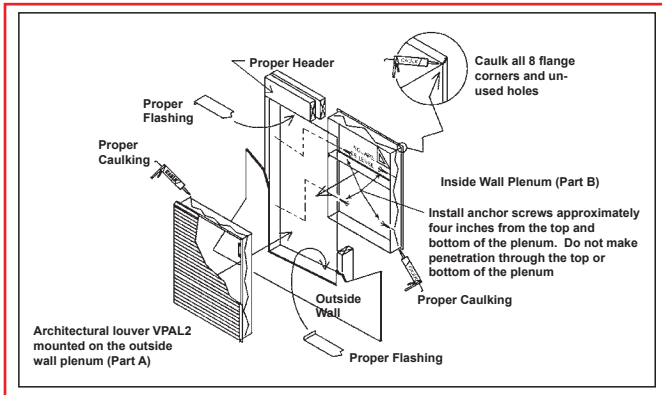


Figure 1

Installation of the Louver After the installation of the Exterior Wall Adapter

For safety, tie a rope or tether to the Architectural Louver, then to the divider in the Exterior Wall Adapter. This will prevent the louver from falling from the building if it is dropped.

From Inside the utility closet

1. Grasp the louver as shown in the illustration
2. Turn the louver sideways and push the louver out the bottom opening in the Exterior Wall Adapter.
3. Pull the louver back against the Exterior Wall Adapter and align the four holes.
4. Insert and tighten all four screws. When the louver is secured remove the safety tether.

Note: There are eight flange holes, however, only the four inside holes are used.

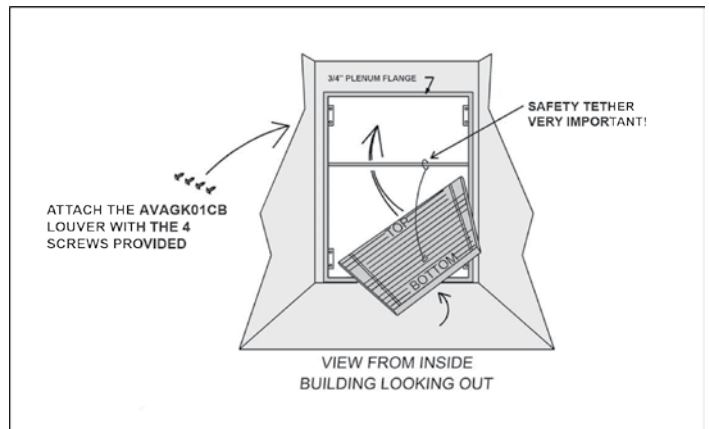


Figure 2

THIS PAGE INTENTIONALLY LEFT BLANK

CUSTOMER FEEDBACK

We are very interested in all product comments.
Please fill out the feedback form on one of the following links:
Amana® Brand Products: (<http://www.amana-hac.com/about-us/contact-us>).
You can also scan the QR code on the right for the product brand
you purchased to be directed to the feedback page.



AMANA® BRAND

Amana is a registered trademark of Maytag Corporation or its related companies and is used under license to Goodman Company, L.P., Houston, TX, USA. All rights reserved.

5151 San Felipe, Suite 500 • Houston, TX 77056 • www.amana-ptac.com
© 2018 Goodman Company, L.P.