

TTW THERMOSTAT CONTROL CONVERSION KIT FOR AMANA® BRAND PTAC PBTCK01 INSTALLATION INSTRUCTIONS

ATTENTION INSTALLING PERSONNEL

As a professional installer you have an obligation to know the product better than the customer. This includes all safety precautions and related items.

Prior to actual installation, thoroughly familiarize yourself with this Instruction Manual. Pay special attention to all safety warnings. Often during installation or repair it is possible to place yourself in a position which is more hazardous than when the unit is in operation.

Remember, it is **your** responsibility to install the product safely and to know it well enough to be able to instruct a customer in its safe use.

Safety is a matter of common sense...a matter of thinking before acting. Most dealers have a list of specific good safety practices...follow them.

The precautions listed in this Installation Manual are intended as supplemental to existing practices. However, if there is a direct conflict between existing practices and the content of this manual, the precautions listed here take precedence.



RECOGNIZE THIS SYMBOL

AS A SAFETY PRECAUTION.

DESCRIPTION

The Amana® Brand Through-The-Wall (TTW) model's field installed Thermostat Control Conversion Kit is a system to assist to connect with the low 24 voltage thermostat* which controls and operates the main TTW unit.

(* purchased separately)



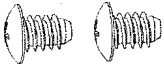
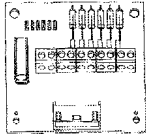


WARNING

HIGH VOLTAGE
DISCONNECT ALL POWER BEFORE SERVICING. MULTIPLE POWER SOURCE MAY BE PRESENT. FAILURE TO DO SO MAY CAUSE PROPERTY DAMAGE, PERSONAL INJURY OR DEATH.



ACCESSORY LIST

Name and Code	Photo	Q'ty
Conversion Board Cover (Code:20111026)		1
Conversion Board Base (Code:22241016)		1
Tapping Screw ST4.2X9.5 MB (Code:70140391)		2
Conversion Board (Code: 300023000008)		1

TERMINAL CONNECTIONS REMOTE THERMOSTAT - CLASS 2

The controls are located under a plastic cover behind the front grille.

1. Remove front grille: Pull the filter out and remove the four grille screws. Pull the grille out from the bottom and lift up from the tabs on the top of the case.

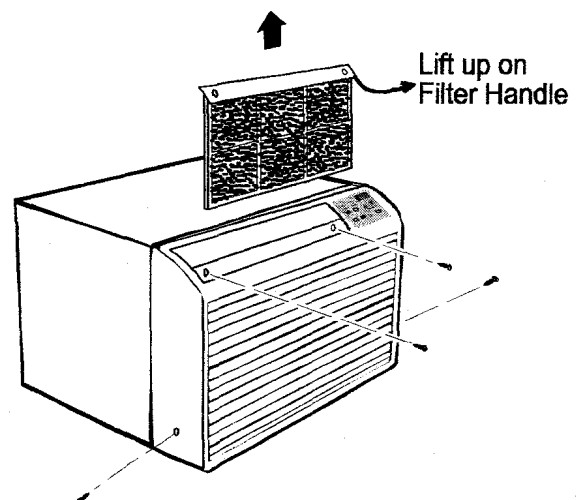


Figure A

Goodman Company, L.P.
5151 San Felipe, Suite 500 • Houston, TX 77056
www.amana-ptac.com

© 2017 Goodman Company, L.P.



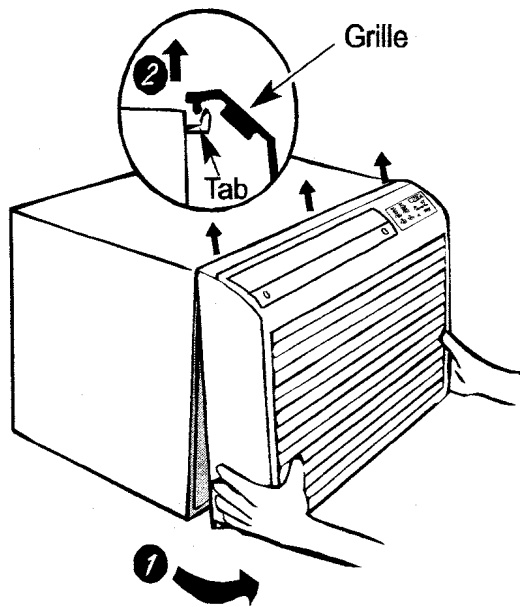


Figure B

2. Install the conversion board to the conversion board by snapping it in place, Then connect the communication wire that is hanging from the left side of the control board to the the connector on the conversion board. See below.

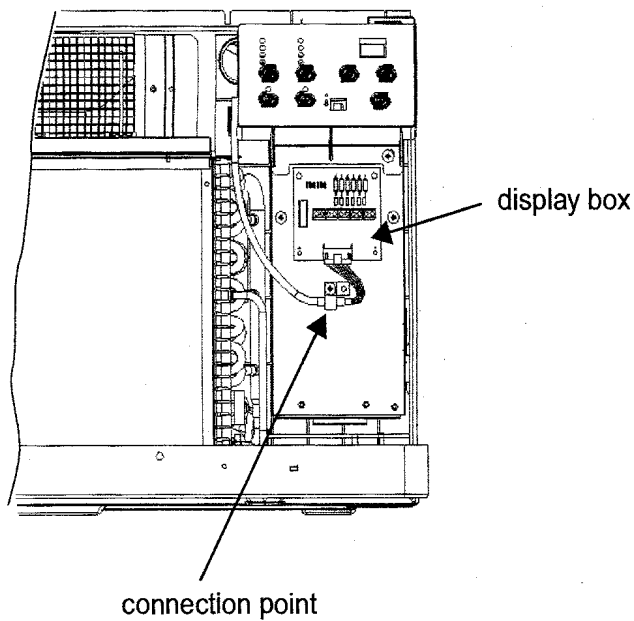
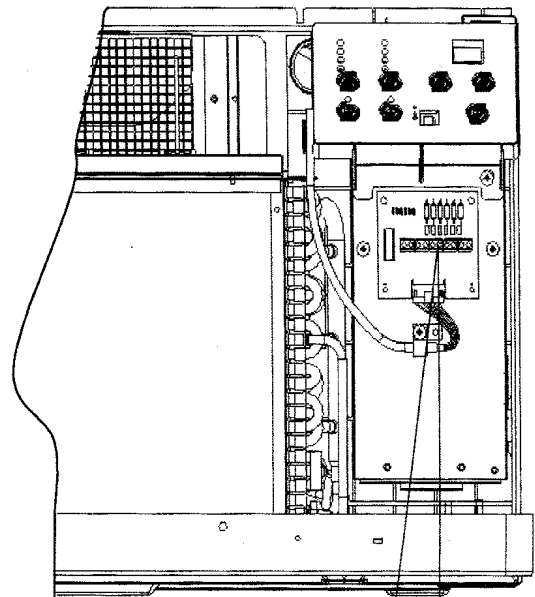


Figure C

3. Install the thermostat wires to the conversion board by inserting them into the proper slot and tighten the set screws.



TYPICAL WALL THERMOSTAT	R	24 V AC only	
	GL	Low Speed Fan	
	GH	High Speed Fan	
	O	4-way Valve	
	Y	Compressor	
	W	Heater	
	C	Common - Ground	
	EM	Energy Management(24VAC in)	
	FRONT DESK CONTROL	C	Common-Ground

Figure D

4. Install the conversion board and base in the conversion cover and using the 2 screws supplied secure it to the unit, see below.

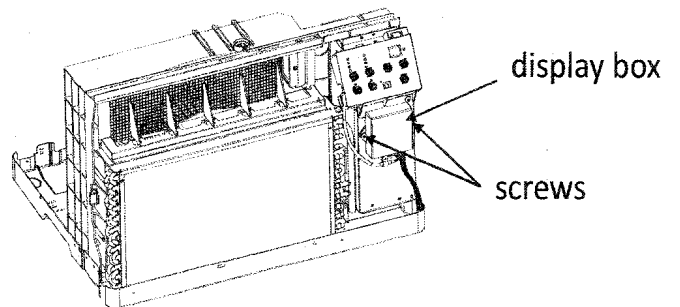


Figure E

5. Route thermostat wiring or front desk control wiring down the side with the power cord.

NOTE: The number 5 dip switch must be in the enabled (UP) position to activate the remote thermostat.

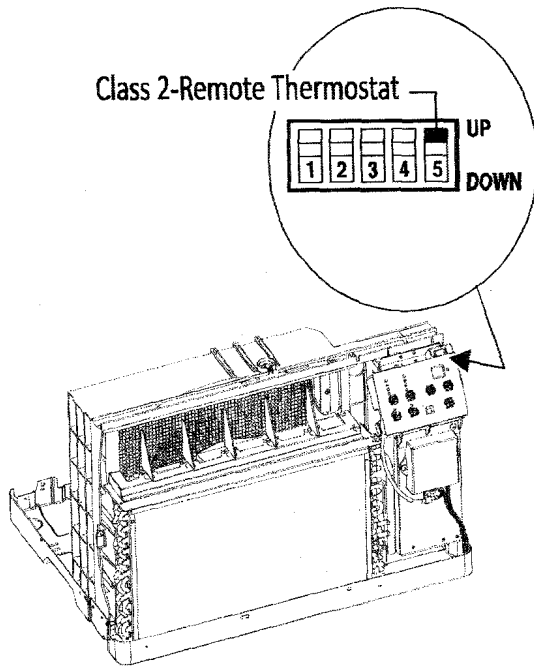


Figure F

ENERGY MANAGEMENT INPUT (FRONT DESK CONTROL)

The controller can handle a switch signal from remote energy management input, called EM signal or front desk control. Input must be 24 VAC. If system receives a 24 VAC signal, it will turn unit off; otherwise, the unit runs in normal control.

IMPORTANT:

The thermostat connections provide 24 VAC only. If using a digital/electronic wall thermostat, ensure it is compatible with 24 VAC signal. See the installation Instructions for the wall thermostat.

NOTICE:

Damage to a wall thermostat or to the electronics can result from improper connections. Special care must be used in connecting the wires. No line voltage connections should be made to any circuit. Isolate all wires in building from line voltage.

5151 San Felipe Suite 500
Houston, TX 77056
www.goodmanmfg.com • www.amana-hac.com
© 2015-2017 Goodman Manufacturing Company, L.P.

