

# Drain Kit Accessory For Use With Packaged Terminal Air Conditioner or Heat Pump

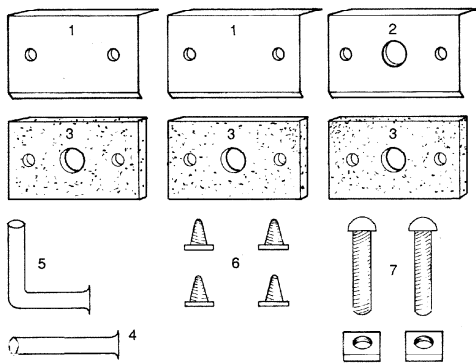
## Installation Instructions

### INTRODUCTION

These instructions cover the installation of the drain kit accessory with the wall sleeve. The drain kit allows for proper condensate drainage.

NOTE: Be sure wall sleeve is installed level to ensure proper condensate drainage. Refer to Installation Instructions packaged with wall sleeve.

Review contents of kit prior to installation. See Fig. 1.



ITEM NO.	DESCRIPTION
1	2 plates
2	1 plate with large opening
3	3 gaskets
4	1 copper drain tube (straight)
5	1 copper drain tube (90° elbow)
6	4 sheet metal screws
7	2 bolt/nut sets
—	Installation Instructions

NOTE: For external drainage, exclude one plate without large opening (item 1), 1 gasket, and 2 bolt/nut sets. Only one drain tube is used.

Fig. 1 — Kit Contents

### INSTALLATION OF EXTERNAL DRAIN

**Step 1 — Remove External Grille** — Follow applicable grille installation instructions.

#### Step 2 — Prepare Drain Assembly

1. Remove backing from gasket (item 3) and affix adhesive side of gasket to inside of plate (item 2) that has large opening in center. Line up holes with plate and gasket. Gasket will wrap around the inside flange of plate. See Fig. 2.
2. Push the straight or 90-degree elbow copper drain tube through gasket and plate as shown. See Fig. 2.

#### Step 3 — Install Drain Assembly

NOTE: Drain assembly may be installed over either the left corner or right corner condensate drain hole.

1. Place drain assembly against outside of wall sleeve.
2. Fasten drain assembly to wall sleeve using 2 sheet metal screws provided. See Fig. 3.
3. If using straight copper tube in drain assembly, cut tube to needed length if necessary by using a pipe cutter. After cutting, remove all burrs from end of tube.
4. If desired, connect 1/2-in. ID field-supplied tubing or hose to copper drain tube stub to channel condensate away from building.

#### Step 4 — Install Second Plate

1. Remove backing from 1 gasket (item 3) and affix adhesive side of gasket to *inside* of 1 plate (item 1). See Fig. 3.
2. Place plate assembly over the unused condensate drain opening in bottom rear flange of sleeve. See Fig. 3.
3. Secure plate assembly to sleeve with 2 sheet metal screws provided. Mounting holes are pre-drilled in sleeve.

**Step 5 — Reinstall Exterior Grille** — Refer to applicable grille installation instructions.

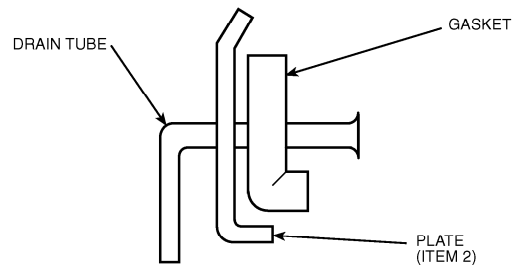


Fig. 2 — External Drain Assembly

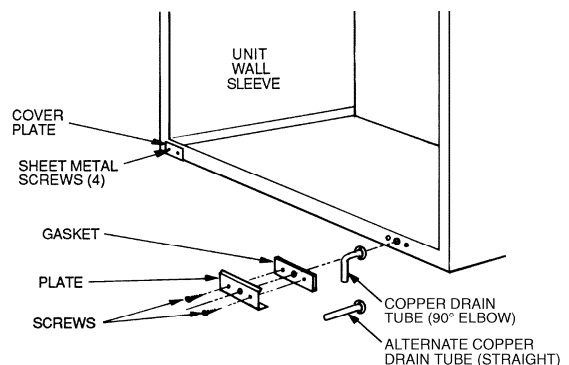


Fig. 3 — Installing External Drain Assembly

Manufacturer reserves the right to discontinue, or change at any time, specifications or designs without notice and without incurring obligations.

## INSTALLATION OF INTERNAL DRAIN

**Step 1 — Remove External Grille** — Follow applicable grille installation instructions.

### Step 2 — Install Plates

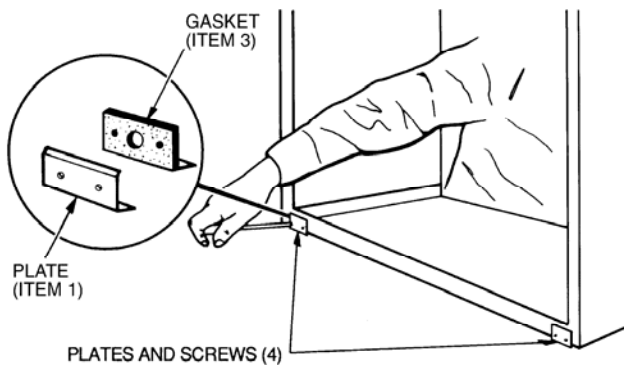
1. Remove backing from 2 gaskets (item 3) and affix adhesive side of gaskets to *inside* of 2 plates (item 1). Line up both holes on plate with both small holes on gasket. Gasket will wrap around the inside flange of plate. See Fig. 4.
2. Place plate assemblies over condensate drain openings in bottom rear flange of sleeve. See Fig. 4.
3. Secure plate assemblies to sleeve with 4 sheet metal screws provided. Mounting holes are pre-drilled in sleeve.

### Step 3 — Prepare Drain Assembly

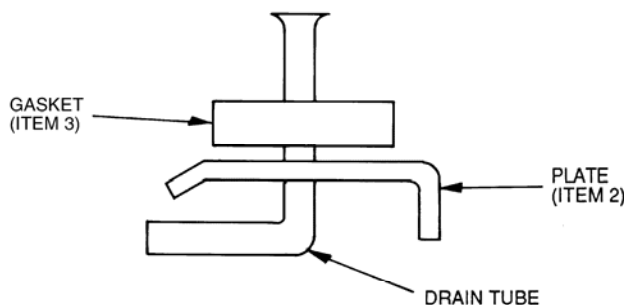
1. Remove backing from third gasket (item 3) and affix gasket to *outside* of plate (item 2) with large opening in center. See Fig. 5.
2. Push copper drain tube through gasket and plate as shown. See Fig. 5.

### Step 4 — Select Location of Drain Hole

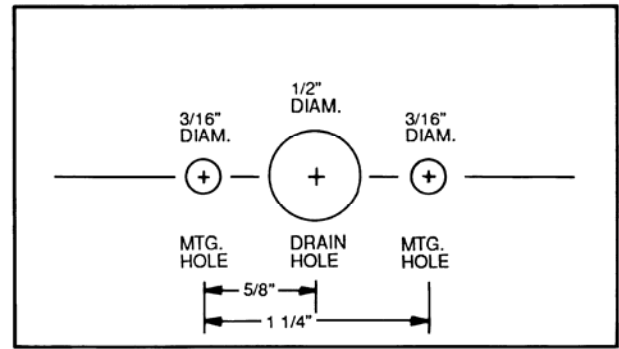
1. Select location anywhere in bottom of wall sleeve convenient to existing building drain.
2. Using Fig. 6 as a guide, mark location of drain hole and mounting hole center lines in wall sleeve.
3. Drill proper size holes in location selected.
4. If sleeve is metal, paint hole edges for corrosion protection.



**Fig. 4 — Installing Plates on Sleeve**



**Fig. 5 — Internal Drain Assembly**



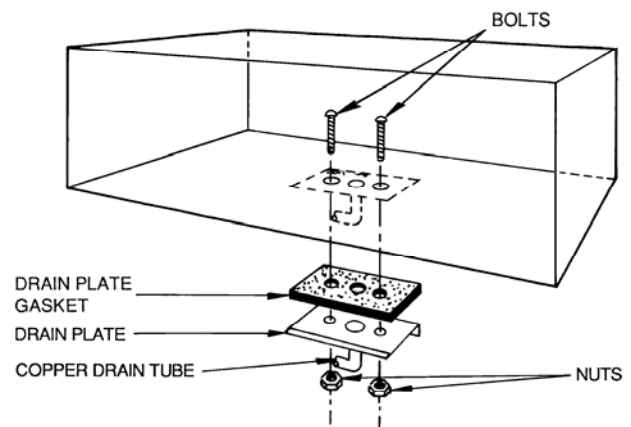
**Fig. 6 — Drain and Mounting Hole Dimensions**

### Step 5 — Mount Drain Assembly

1. Mount drain assembly underneath wall sleeve in line with drilled holes.
2. Insert stainless steel bolts downward from inside of sleeve, through 2 mounting holes and through gasket and drain plate.
3. Secure with nuts. See Fig. 7.

**Step 6 — Install Drain Tubing** — Run 1/2-in. ID tubing or hose (field supplied) from suitable building drain to copper drain tube stub. Push tubing firmly over end of stub as far as possible.

**Step 7 — Reinstall Exterior Grille** — Refer to applicable grille installation instructions.



**Fig. 7 — Mounting Drain Assembly**

## MAINTENANCE

Clean inside bottom of wall sleeve once each year. Check drain tube stub and tubing to be sure they are free of debris.

Manufacturer reserves the right to discontinue, or change at any time, specifications or designs without notice and without incurring obligations.