

The TLE series is designed for air conditioning, heat pumps, transportation and commercial refrigeration. Take-Apart construction improves serviceability with replaceable/interchangeable parts. TLE valves do not have an external superheat adjustment.

Features

- Stainless steel power element eliminates corrosion and prevents valve failure
- Non-adjustable superheat to maintain factory setting
- Bi-Flow capability for heat pump applications (external equalizer required)
- Take-Apart construction for easy field service



Options

- Interchangeable capacity cages, power assemblies and flanges

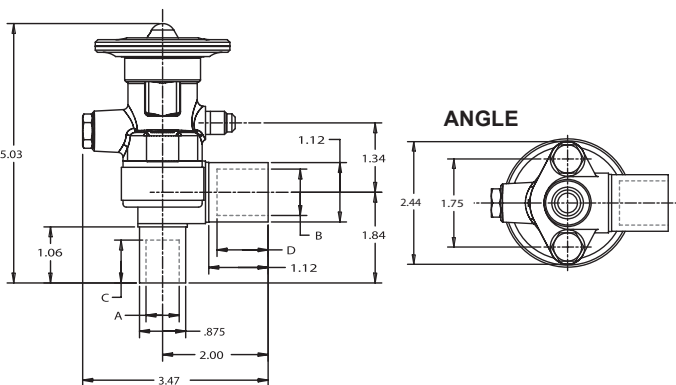
Specifications

- Maximum working pressure: 450 psig
- Capscrew Torque: 300 in. lbs.

Nomenclature example: TLEB 5 HCA 5 FT 3/8 x 1/2 ODF S/T

TL	E	B	5	H	C	5 FT	3/8 x 1/2	ODF	S/T
Valve Series* Take-Apart	Equalizer E=External 1/4" SAE Standard 1/4" ODF Available (Omit for Internal)	Bleed Hole (optional) B=Bleed Hole (Omit for no bleed hole)	Capacity Nominal Rating in Tons (See Cage Capacity Table)	Refrigerant Code +F = R-12 • H = R-22 +M = R-134a • N = R-407C *P = R-507 *R = R-502 *S = R-404A	Charge Code C = medium temp CA = heat pump W(MOP) = press. limiting Z = low temp	Capillary Tube Length 5 FT (std)	Inlet x Outlet Connection Sizes Various sizes are available (valve is available also less flange)	Connection Type SAE=flare ODF=solder	Configuration ANG = 90° angle S/T = straight-thru

+ = R-12 and R-134a are interchangeable refrigerant charges
 * = R-507, R-502 and R-404A are interchangeable refrigerant charges
 • = R-22 and R-407C are interchangeable refrigerant charges



Dimensional Data (in)

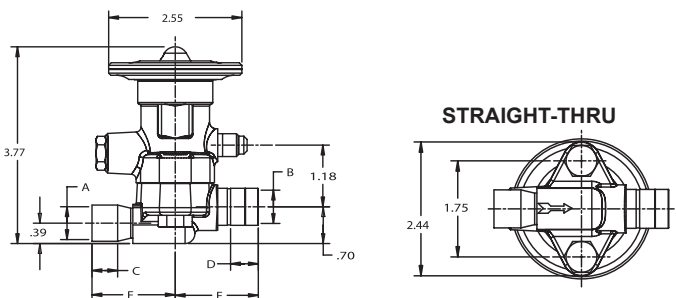
TLE Angle

Connection Size		A	B	C MIN	D MIN
Inlet	Outlet				
ODF:ODM 5/8:7/8	ODF:ODM 7/8:1-1/8	0.63	0.88	0.81	1.00

TLE Straight Thru

Connection Size		A	B	C MIN	D MIN	E	F
Inlet	Outlet						
5/8 ODF	1-1/8 ODF	0.63	1.13	0.53	0.91	1.63	2.50
7/8 ODF	1-1/8 ODF	0.88	1.13	0.75	0.91	1.94	2.50
7/8 ODF	1-3/8 ODF	0.88	1.38	0.75	0.97	1.94	2.69

Allow 2-1/8" above valve for removal of power assembly.



Ordering Information

Valve Less Flange (VLF)

Valve Less Flange ¹	PCN	Equalizer Type	Refrigerant
TLE 1/2 HW	--	1/4 SAE External	R-22
TLE 1 HW	--		
TLE 2 HW	--		
TLE 3 HW	041734		
TLE 5 HW	054793		
TLE 7-1/2 HW	054794		
TLE 10 HW	055125		
TLE 12 HW	054795		

¹Also available with "HCA" charge for heat pump and air conditioning applications.

Cage Capacities in Tons

PCN	Description	R-12	R-134A	R-22/R-407C	R-404/R-507/ R-502
041551	X-22517 B1B	1/4	1/4	1/2	1/4
041556	X-22517 B3B	1	1-1/2	2	1
041560	X-22517 B4A	2	2-1/2	3	2
041558	X-22517 B4B	2	2-1/2	3	2
041562	X-22517 B5B	3	3-1/2	5	3
041564	X-22517 B6B	4	5-1/2	7-1/2	4-1/2
041566	X-22517 B7B	6-1/2	7-1/2	10	7

Flanges

PCN	Description	Connections
027770	9761-2	1/2 X 7/8 ODF S/T
027771	9761-3	3/8 X 5/8 ODF S/T
027268	9761-4	1/2 X 5/8 ODF S/T
027769	9761-5	3/8 X 1/2 ODF S/T
027766	9761-6	1/2 X 1/2 ODF S/T
027764	A-576	5/8 X 7/8 ODF ANG
056932	C-500-4	3/8 X 1/2 SAE ANG
057153	C-500-5	3/8 X 5/8 SAE ANG
056294	C-500-6	1/2 X 5/8 SAE ANG
065527	C-501-4	3/8 X 1/2 ODF ANG
065748	C-504-5	3/8 X 5/8 ODF ANG
065861	C-504-7	1/2 X 5/8 ODF ANG
044733	X-6346-16	5/8 X 5/8 ODF S/T
044846	X-6346-17	5/8 X 7/8 ODF S/T
094038	X-6346-18	5/8 X 1-1/8 ODF S/T
071757	X-6346-34	7/8 X 1-1/8 ODF S/T
050563	X-6669-1	3/8 X 5/8 SAE S/T
050842	X-6669-2	1/2 X 5/8 SAE S/T
051176	X-6669-4	3/8 X 1/2 SAE S/T
083378	X-6669-5	1/2 X 1/2 SAE S/T

Replacement Power Assemblies

PCN	Description
083765	XB1033 FW25-1B
061760	XB1033 HW-1B
077201	XB1033 HW-15A
089748	XB1033 HW-75B
095534	XB1033 HW100-15B
095813	XB1033 HW100-1B

Power Assembly Nomenclature

Description
XB-1033 XXX-YZ
xxx = charge code
y = cap tube length code
z = internal (A) or external (B) equalizer