

The SFD is a standard suction line Filter Drier for use after a burn-out or when major work has been performed. It is for use with CFC, HCFC and HFC refrigerants.

Features

- Solid copper connections
- Dual access valves for easy pressure readings
- Corrosion resistant epoxy powder paint finish
- R-410A compatible



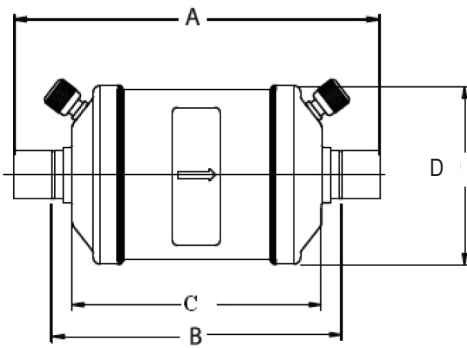
Nomenclature example: SFD 13S5-VV

SFD	13	S	5	VV
Series	Unit Size (in cu. in.)	Connections S = ODF F = SAE	Connection Size (in 1/8")	Dual Access Valves

Specifications

- Filtration: 40 microns
- Maximum working pressure: 500 psig
- UL/CUL file number: SA 3124

Dimensional Data



Order Information

PCN	Description	Connection Size	Dimensions (in)				Weight (lbs)	
			A	B	C	D		
064045	SFD 08S4-W	1/2 ODF	4.94	3.94	3.38	3.14	2	
064046	SFD 08S5-W	5/8 ODF	5.16	3.91				
064047	SFD 08S6-W	3/4 ODF	5.56	4.31				
060244	SFD 13F3-W	3/8 SAE	5.5	N/A	3.64	3		
060245	SFD 13S3-W	3/8 ODF	4.84	3.97				
060246	SFD 13S4-W	1/2 ODF	4.94	3.94				
060247	SFD 13F4-W	1/2 SAE	5.75	N/A				
060248	SFD 13F5-W	5/8 SAE	6.13	N/A				
060249	SFD 13S5-W	5/8 ODF	5.16	3.91				
060250	SFD 13S6-W	3/4 ODF	5.25	4				
060262	SFD 13S7-W	7/8 ODF	5.75	4.25				
056505	SFD 27S6-W	3/4 ODF	7	5.75			5.13	3
060251	SFD 27S7-W	7/8 ODF	7.5	6				
060252	SFD 27S9-W	1 1/8 ODF	7.63	5.81	8.25	4.5		
060253	SFD 54S11-W	1 3/8 ODF	12.25	10.31				
060254	SFD 54S13-W	1 5/8 ODF	12.16	9.91				