

The ASF is a specifically designed filter to protect the compressor from dirt and all solid contaminants.

#### Features

- Dual access valves for easy pressure readings
- Solid copper connections
- Corrosion resistant epoxy powder paint finish



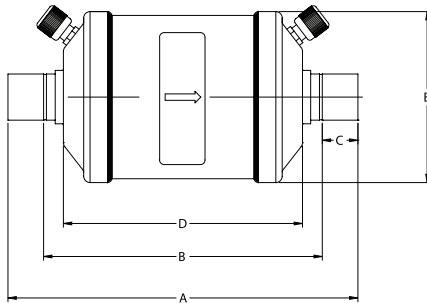
#### Nomenclature example: ASF 35S5-VV

ASF	35	S	5	VV
Series	Unit Size (in cu. in.)	Connections S = ODF F = SAE	Connection Size (in 1/8")	Dual Access Valves

#### Specifications

- Filtration: 40 microns
- Maximum working pressure: 500 psig
- UL/CUL file number: SA 3124

#### Dimensional Data



#### Ordering Information

PCN	Description	Connection Size	Dimensions					Weight (lbs)
			A	B	C	D	E*	
062961	ASF 11S4	1/2 ODF	4.38	3.38	0.50	2.88	2.63	1.50
062962	ASF 11S5	5/8 ODF	4.63	3.38	0.63	2.88	2.63	1.50
062963	ASF 28S7	7/8 ODF	6.50	5.00	0.75	4.13	3.06	2.00
062964	ASF 28S7-VV	1 1/8 ODF	7.41	5.61	0.91	4.13	3.06	2.00
049177	ASF 28S3-VV	3/8 ODF	5.59	4.72	0.44	4.13	3.69	2.00
049178	ASF 28S4-VV	1/2 ODF	5.69	4.69	0.50	4.13	3.69	2.00
049179	ASF 35FS-VV	5/8 SAE	7.56	—	—	4.75	3.69	2.50
049180	ASF 35S5-VV	5/8 ODF	6.53	5.28	0.63	4.75	3.69	2.50
059999	ASF 45F3-VV	3/8 SAE	7.69	—	—	5.56	3.69	3.00
049181	ASF 45S6-VV	3/4 ODF	7.75	6.50	0.63	5.56	3.69	3.00
049182	ASF 45S7-VV	7/8 ODF	7.94	6.44	0.75	5.56	3.69	3.00
049183	ASF 50S9-VV	1 1/8 ODF	8.84	7.03	0.91	6.13	5.00	3.50
063113	ASF 64S17-V	2 1/8 ODF	11.75	9.06	1.31	7.63	5.00	3.50
063115	ASF 64S21-V	2 5/8 ODF	13.00	10.00	1.50	7.88	5.00	3.50
049184	ASF 75S11-VV	1 3/8 ODF	12.25	10.31	0.97	8.25	5.00	5.00
049185	ASF 75S13-VV	1 5/8 ODF	12.16	9.91	1.13	8.25	5.00	5.00

\* Dimension does not include weld bead