

The ASD is a premium suction line Filter Drier for use with CFC, HCFC and HFC refrigerants. The ASD is optimized for high moisture, acid, and solid contaminant removal.

Features

- Outstanding filtration for ultimate compressor protection
- Dual access valves for easy pressure readings
- Solid copper connections
- Corrosion resistant epoxy powder paint finish



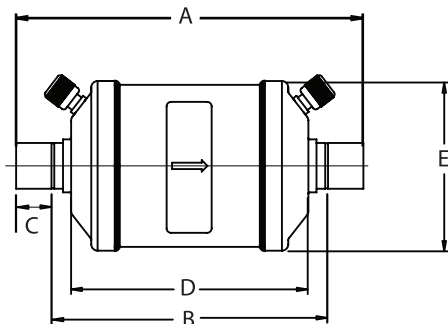
Specifications

- Filtration: 40 microns
- Maximum working pressure: 500 psig
- UL/CUL file number: SA 3124

Nomenclature example: ASD 35S5VV

ASD	35	S	5	VV
Series	Unit Size (in cu. in.)	Connections S = ODF F = SAE	Connection Size (in 1/8")	Dual Access Valves

Dimensional Data



Ordering Information

PCN	Description	Connection Size	Dimensions (in)					Weight (lbs)
			A	B	C	D	E	
056352	ASD 28F3	3/8 SAE	5.59	--	.044	4.13	3.69	2.00
049168	ASD 28S3-W	3/8 ODF	5.59	4.72	0.44	4.13		
049169	ASD 28S4-W	1/2 ODF	5.69	4.69	0.50	4.13		
049170	ASD 35F5-W	5/8 SAE	7.56	--	--	4.75		2.50
049171	ASD 35S5-W	5/8 ODF	6.22	5.28	0.63	4.75		
049172	ASD 45S6-W	3/4 ODF	7.75	6.50	0.63	5.56		3.00
049173	ASD 45S7-W	7/8 ODF	7.94	6.44	0.75	5.56		
049174	ASD 50S9-W	1 1/8 ODF	8.84	7.03	0.91	6.13		3.50
049175	ASD 75S11-W	1 3/8 ODF	12.25	10.31	0.97	8.25		
049176	ASD 75S13-W	1 5/8 ODF	12.16	9.91	1.13	8.25		5.00