

The 540RA is a 2-way, normally open diaphragm valve. 540RA valves are used for liquid, suction and hot gas service.

Features

- Can be brazed into the line without disassembly
- PTFE diaphragm
- Extended ends for easy installation
- Long-life molded coils
- Low pressure differential required for full opening



Specifications

- Maximum fluid temperature: 250°F
- Maximum working pressure: 500 psig
- MOPD: 250 psig
- UL/CUL file number: MP604

NOTE: Mounting enclosing tube more than 90° off vertical up position is not recommended.

NOTE: This valve requires a DM, MM or ASC2-Type coil assembly. ASC2-Type Coil requires snap cap and cable assembly (PCN:059261).

Nomenclature example: 540RA 8T5 VLC

540R	A	8	T	5	VLC
Valve Series	Design Series	Port Size (in 1/16")	Connection Type T = copper entended ends	Connection Size (in 1/8")	Coil*

* NOTE: Valves are shipped without the solenoid coils (VLC = Valve Less Coil). See coil assemblies for availability.

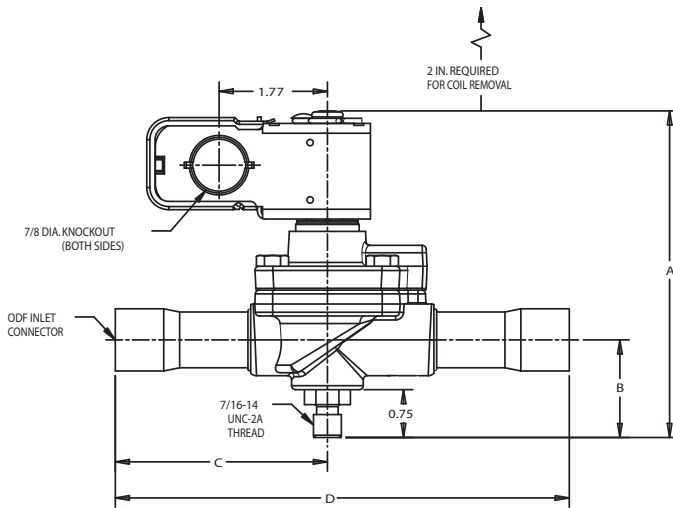
Ordering Information and Nominal* Liquid Capacity Table – Tons (kW)

PCN		Description	Connection Size	R-12	R-134a	R-22	R-407C	R-404A/R-507	R-502
Standard Valve	Mounting Stud ¹								
060391	058573	540RA 8 T 4	1/2 ODF	12.2 (43.4)	14.8 (52.5)	15.6 (55.2)	14.8 (52.4)	10.3 (36.5)	10.1 (35.6)
060392	046265	540RA 8 T 5	5/8 ODF						
060393	046989	540RA 8 T 7	7/8 ODF						
060394	046266	540RA 9 T 5	5/8 ODF	18.2 (64.6)	22.0 (78.0)	23.3 (82.5)	22.1 (78.2)	15.3 (54.2)	15.1 (53.4)
060395	046268	540RA 9 T 7	7/8 ODF	24.0 (85.0)	28.9 (102.3)	30.5 (108.0)	29.0 (103.0)	20.1 (71.1)	19.8 (70.1)
060396	047497	540RA 9 T 9	1 1/8 ODF						
060397	046269	540RA 12 T 7	7/8 ODF	27.6 (97.6)	33.2 (117.5)	34.9 (123.0)	33.2 (118.0)	23.0 (81.0)	22.7 (80.0)
060398	047498	540RA 12 T 9	1 1/8 ODF						
060399	046270	540RA 16 T 9	1 1/8 ODF	37.3 (132.0)	55.1 (195.1)	58.0 (205.0)	55.2 (195.0)	38.3 (136.0)	37.7 (133.0)
060400	047214	540RA 16 T 11	1 3/8 ODF						
060401	047953	540RA 20 T 11	1 3/8 ODF	58.8 (208.0)	86.8 (307.4)	95.4 (338.0)	90.8 (321.0)	65.7 (233.0)	62.0 (219.0)
060402	047954	540RA 20 T 13	1 5/8 ODF						
060403	047955	540RA 20 T 17	2 1/8 ODF						

¹ Add "T" to the end of description for Mounting Stud

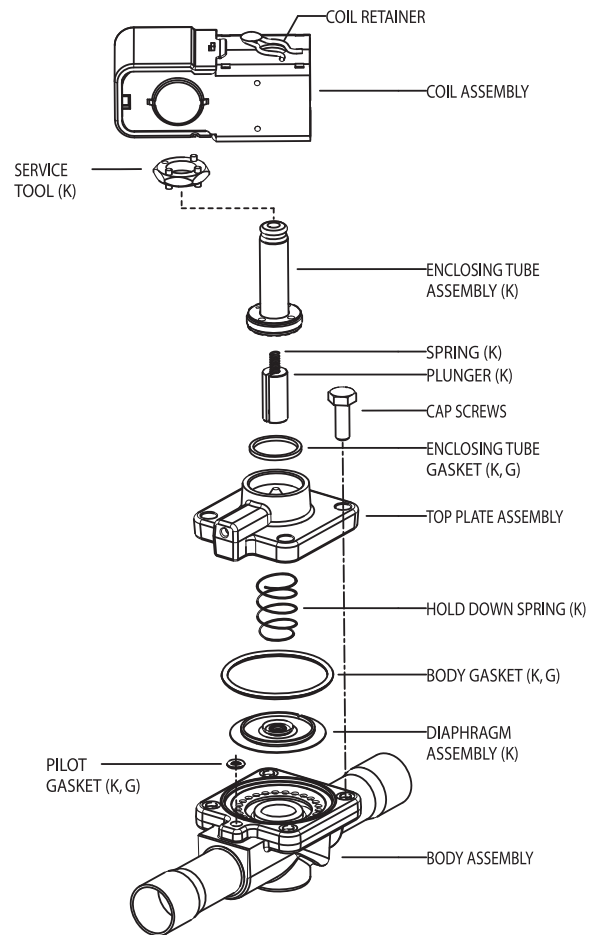
Capacities based on 100°F liquid and 40°F saturated evaporator per ARI standard 760-87.

*See Extended Capacity Tables for ratings at a wide range of conditions.



Valve	Port Size	Conn. Size	A	B	C	D
540RA8T5-T	1/2	5/8 ODF	4.80	1.34	3.28	6.88
540RA8T7-T		7/8 ODF			3.41	7.13
540RA9T5-T	9/16	5/8 ODF	5.08	1.50	3.20	6.88
540RA9T7-T		7/8 ODF			3.33	7.13
540RA9T9-T		1 1/8 ODF			4.02	8.50
540RA12T7-T	3/4	7/8 ODF			3.52	7.50
540RA12T9-T		1 1/8 ODF			4.02	8.50
540RA16T9-T	1	1 1/8 ODF	5.34	1.66	4.25	9.06
540RA16T11-T		1 3/8 ODF			5.25	11.06
540RA20T11-T	1-1/4	1 3/8 ODF	5.45	1.31	5.11	10.81
540RA20T13-T		1 5/8 ODF			5.89	12.38
540RA20T17-T		2 1/8 ODF			6.58	13.75

Exploded View & Parts Kit Data



Valve Repair Kit

"K" indicates part is supplied in complete valve repair kit.

Gasket Kit

"G" indicates gasket is supplied in gasket kit.

Note: Spanner wrench X11981-1 (PCN 027451) is included in complete valve kit. (service tool used to remove and replace enclosing tube collar)

Coil Assembly

See coil assemblies for availability.

540RA Valve Kits

Valve	Kit #	PCN
540RA8	KS30328	060633
540RA9	KS30329	060634
540RA12	KS30330	060635
540RA16	KS30331	060636
540RA20	KS30332	060637

Gasket Kit for all 540RA valves is KG10028 (PCN 054356)